

ASHLEY DUO BEZEL

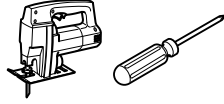
- Corded -

Vertical Surface Mounting

Installation Instruction

This device complies with part 15 of the FCC Rules. Operation is subject to the following two conditions: (1) This device may not cause harmful interference, and (2) this device must accept any interference received, including interference that may cause undesired operation.

Tools Required

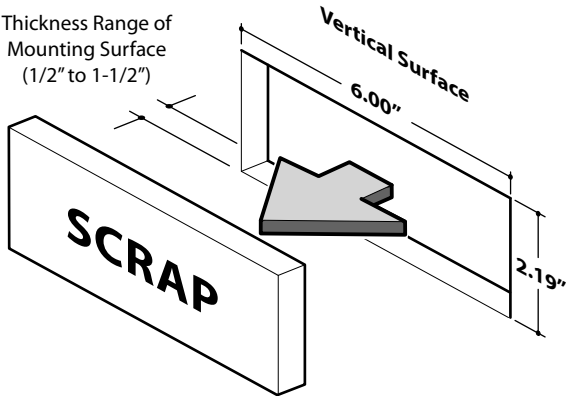


1 Cutout Opening for Ashley Duo Bezel Assembly

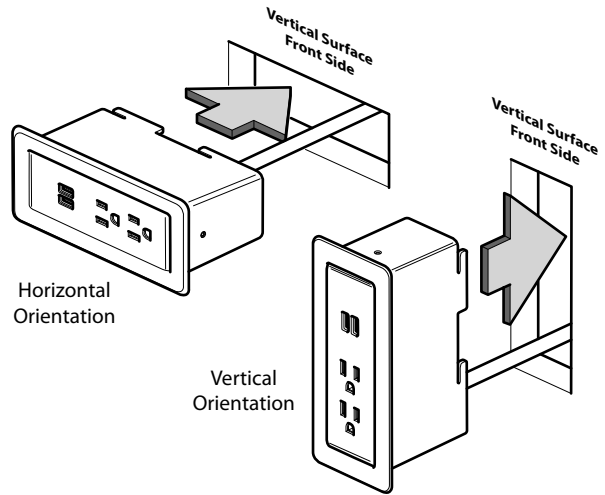
*** NOTE ***

Max Radius on Cutout Corners is 1/4"

Thickness Range of Mounting Surface
 (1/2" to 1-1/2")



2 Install Ashley Duo Bezel Assembly into Cutout



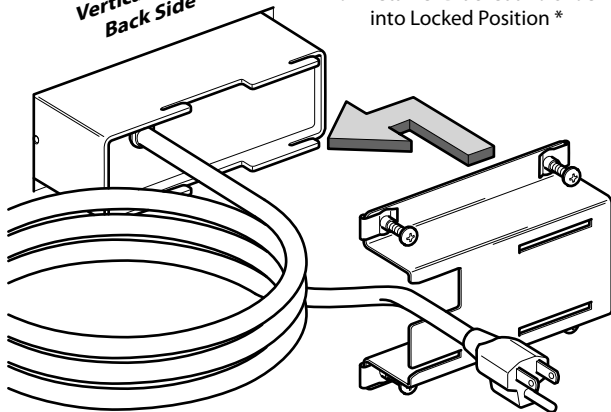
*** NOTE ***

Tabs Point Up when Unit is Installed Vertically - See Vertical Orientation

3 Install Retainer Bracket

Vertical Surface
 Back Side

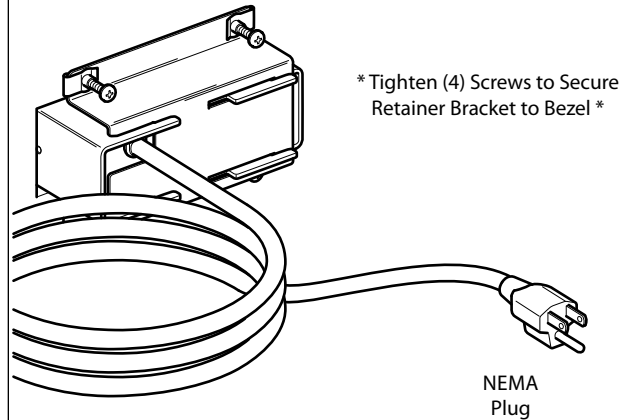
* Align Tabs on Bezel with Slots on Retainer Bracket and Slide into Locked Position *



*** NOTE ***

Route Power Cord Through Notch in Retainer Bracket

4 Route Power Cord to Nearest Power Distribution Source



* Tighten (4) Screws to Secure Retainer Bracket to Bezel *

GD
Group Dekko
2505 Dekko Drive
Garrett, IN 46738
Customer Service: 800.357.5622

ASHLEY DUO BEZEL

- Corded -

Vertical Surface Mounting

Cutout Template

This device complies with part 15 of the FCC Rules. Operation is subject to the following two conditions: (1) This device may not cause harmful interference, and (2) this device must accept any interference received, including interference that may cause undesired operation.

