



2505 Dekko Drive  
Garrett, IN 46738  
Customer Service: 800.357.5622

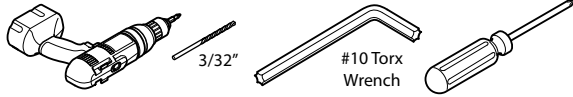
# ASHLEY TRIO<sup>+</sup> UNDER - Corded -

## Under Worksurface Mounting

### Installation Instruction

This device complies with part 15 of the FCC Rules. Operation is subject to the following two conditions: (1) This device may not cause harmful interference, and (2) this device must accept any interference received, including interference that may cause undesired operation.

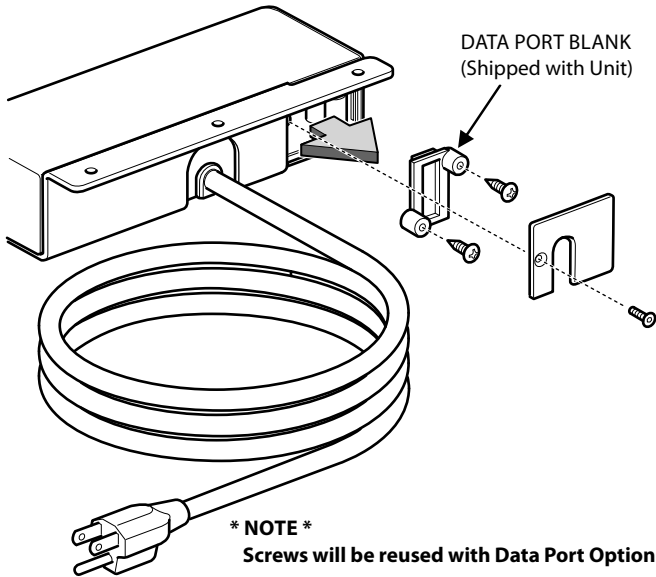
#### Tools Required



#### SPECIAL NOTE \*

Optional data port options will need to be purchased from L-COM. L-COM part numbers have been provided in step #2.

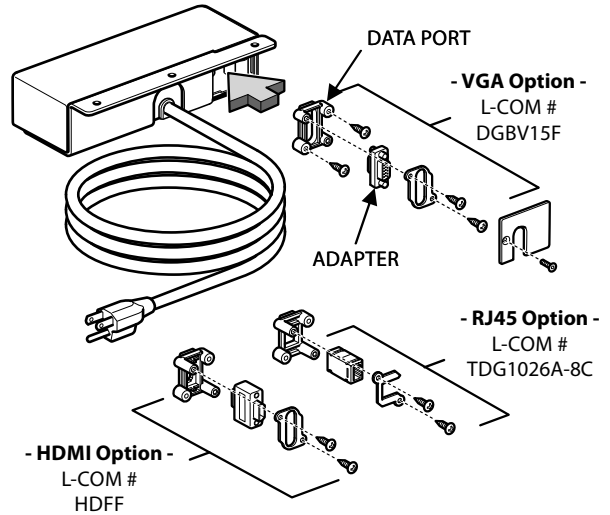
### 1 Remove Data Port Blank



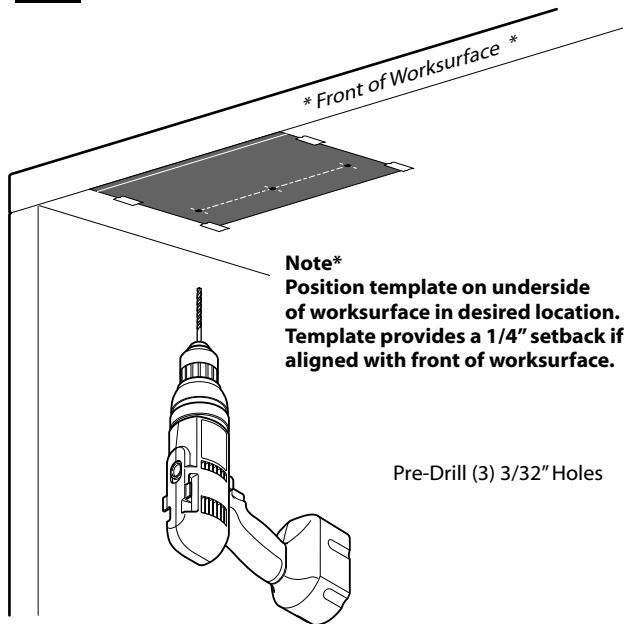
### 2 Install Data Port Option - (RJ45, HDMI, VGA)

#### \* NOTE \*

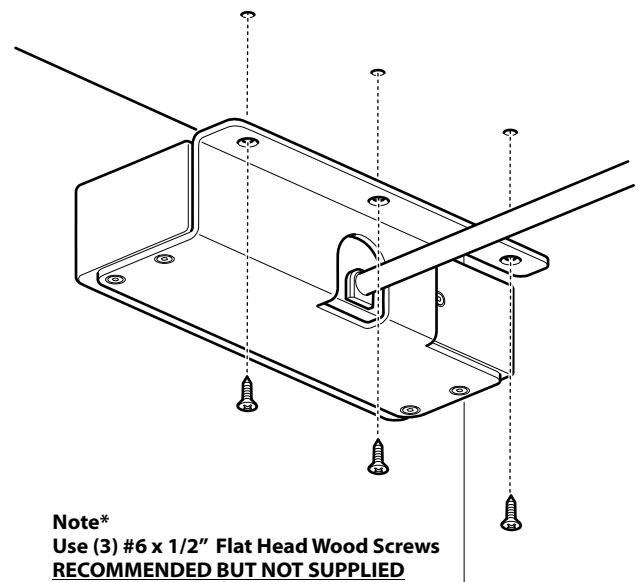
Reuse screws from previous step and secure Adapter to Data Port prior to assembling into unit



### 3 Place Template and Pre-Drill Holes



### 4 Install Ashley Trio+ Under to Worksurface





2505 Dekko Drive  
Garrett, IN 46738  
Customer Service: 800.357.5622

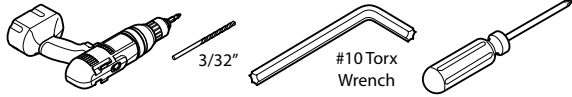
# ASHLEY TRIO<sup>+</sup> UNDER - Corded -

## Under Worksurface Mounting

### Installation Instruction

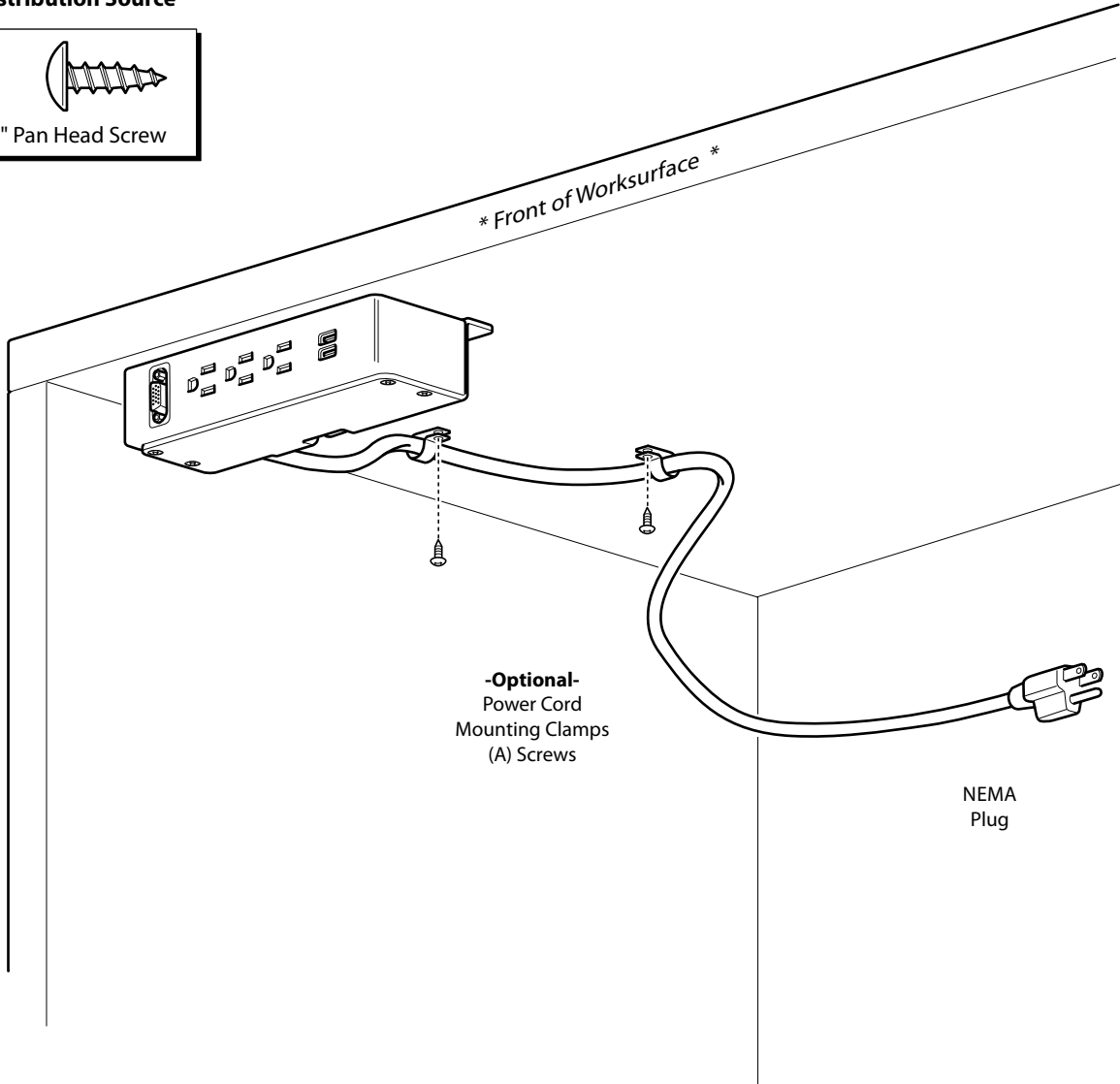
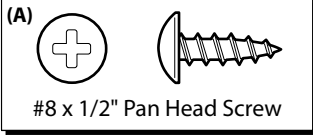
This device complies with part 15 of the FCC Rules. Operation is subject to the following two conditions: (1) This device may not cause harmful interference, and (2) this device must accept any interference received, including interference that may cause undesired operation.

#### Tools Required



Screwdriver needed for optional power cord mounting clamps.

## 5 Route Power Cord Option to Nearest Power Distribution Source



# ASHLEY TRIO<sup>+</sup> UNDER - Corded -

## Under Worksurface Mounting Drilling Template

This device complies with part 15 of the FCC Rules. Operation is subject to the following two conditions: (1) This device may not cause harmful interference, and (2) this device must accept any interference received, including interference that may cause undesired operation.

