

F300 CLASS

Specification Sheet

F300 Class Linear

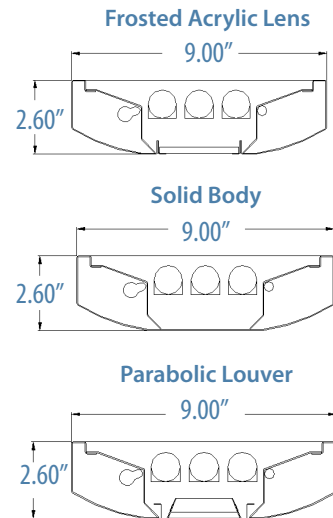


Description

The F300 Class is a low-profile suspended direct/indirect luminaire. Available in one, two or three T8/T5/T5 HO lamp versions. The F300 fixture is available with lens, flush baffle, or a solid body feature. Configured in either individual or continuous runs, the F300 Class is designed for open offices, private offices, educational facilities, retail or other space where efficient and functional suspended fixtures are specified.

Product Line Specifications

- Construction:** Housing is 20 gauge CRS.
- Lengths:** 4' and 8' for continuous runs.
- End Caps:** Flat ends cap provides a clean finish.
- Reflectors:** Die-formed high reflective white CRS.
- Electrical:** Fixtures are UL/CUL listed.
- Circuit Options:** Single circuit, Dual circuit and Emergency circuit.
- Voltage:** 120V, 277V, 347V.
- Lamps:** Available in T5 or T8 up to 2 lamps
- Finish:** Durable, low gloss, textured white, powder coated finish. Custom colors available.
- Mounting:** Aircraft grade cable with fully adjustable Yoke mount.
- Ceiling Type:** 15/16" T-bar, 9/16" T-bar, Slot T, or Hard Ceiling mounting kits available.
- Shielding:** Louvers are available in semi-specular aluminum parabolic and optional opal diffuser. Opal diffusers are available as an option.



F320
Indirect

F345
Flush Baffle

F350
Lens

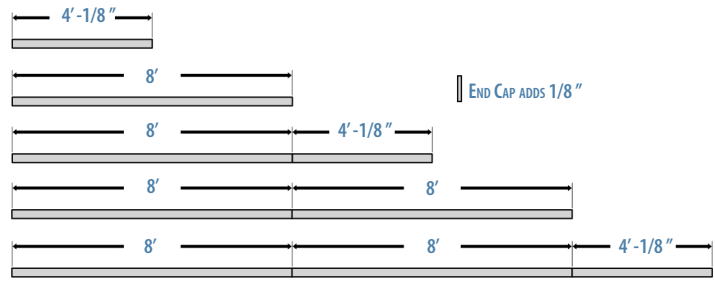
Fixture Ordering Example:

F345-4-3-32-120-WHR-SSB-SB-S-NOL-WHT

Fixture Series	Fixture Length	Lamp Cross Section (F300 is 2 only)	Lamp Wattage	Voltage	Reflector	Baffle	Shielding	Ballast Type	Emergency Type	Switching	Lamp Color	Fixture Finish	Options
F320	4'	1	32= 32T8	120	WHR - Standard	SSB - Specular	Blank - (None)	SB - T8 Instant Start (< 10% THD)	Blank - (None)	S - Single Circuit	NOL - (Without Lamps)	WHT	Blank - (None)
F345	8'	2	28= 28T5	277	SPR - Specular	WHB-White	OPL - Opal Diffuser	SP - T8 Programmed Rapid Start	EC - Emergency Circuit	D - Dual Circuit	L830 - (3000K CRI ECO)		DC - Dust Cover
F350		3	54= 54T5HO	Mvolt=(120/277) 347				SD1 - T8 Dimming (Line)	EB* - Emergency Battery Pack		L835 - (3500K CRI ECO)		FF - Fast Blow Fuse
								SD2 - T8 Dimming (0% - 10%)	EHF - Emergency Through		L841 - (4100K CRI ECO)		FS - Slow Blow Fuse
								SD3 - T8 Dimming (Step)	Wiring (w/ Separate Feed)				NY - 14ga. Harness
								SH - T8 High Output	EHF - Emergency Through				
								SD5 - T5 Programmed Rapid Start	Wiring, Single Feed				
								SD50 - T5HO Programmed Rapid Start	(Shared)				
								SD51 - T5 Dimming (Line)					
								SD52 - T5 Dimming (0% - 10%)	*Standard Output = 1100				
								SD53 - T5 Dimming (Step)	lumen. Consult Factory for				
								SD501 - T5HO Dimming (Line)	other lumen options. EB				
								SD502 - T5HO Dimming (0% - 10%)	available in 347v.				
								SD503 - T5HO Dimming (Step)					

WALL MOUNT- Companion Wall Mount fixture available

END CAP KIT-: 300-WHT (One kit required per fixture run)



Hardware Ordering Example: SCF-Y-15C-FA-36

Prefix

- SCF - Single Circuit Feed
- DCF - Dual Circuit Feed
- ECF - Emergency Circuit Feed
- NF - Non Power Feed

Fixture Attachment

- Y - Two Point
- S - Stem Mount
- (Consult Factory)

Ceiling Attachment

- HC - Hard Ceiling
- SC - Screw Slot Clip
- 15C - 15/ 16" Tee Clip
- 9C - 9/ 16" Tee Clip

Suspension Type

- FA - Fully Adjustable

Suspension Length

- 18 - (24" Adjustable Cable)
- 24 - (30" Adjustable Cable)
- 36 - (42" Adjustable Cable)
- 72 - (78" Adjustable Cable)
- 144 - (150" Adjustable Cable)

Aircraft Cable Hanging Kits Options:

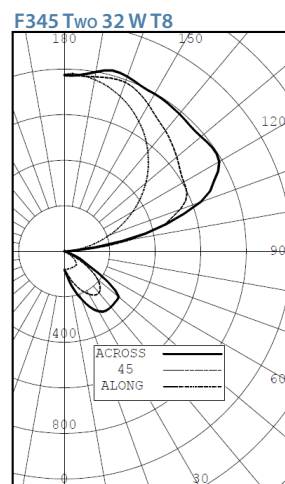
- Dual-point (Yoke) connection to the fixture
- Adjustable length cable
- Single or double feed, or non-feed connection
- Straight white cords
- Hard ceiling j-box bracket OR clips for wide (15/16"), narrow (9/16") or screw slot tees

Each kit comes with:

- Support clip for T-bars, OR strap for J-box, with threaded stud for cable connection
- One 5" white canopy and one 2" white canopy (hard ceiling kits have two 5" canopies)
- Aircraft cable
- Feed cord (except non-feed hangers)
- Fixture attachment hardware

Performance Optics

The F300 Class uses optic designs and current ballast technology to efficiently illuminate spaces and reduce energy consumption.



ZONAL LUMENS AND PERCENTAGES

ZONE	LUMENS	% LAMP	% LUMINAIRE
0 - 30	175	3.07	4.14
0 - 40	340	5.97	8.05
0 - 60	692	12.14	16.37
0 - 90	750	13.16	17.74
40 - 90	410	7.16	9.69
60 - 90	58	1.02	1.37
90 - 180	3478	61.01	82.26
0 - 180	4228	74.17	100.00

INTENSITY(CANDLEPOWER) SUMMARY

ANGLE	INTENSITY(CANDLEPOWER) SUMMARY					OUTPUT LUMENS
	ALONG	22.5	45	67.5	ACROSS	
0	176	176	176	176	176	
5	176	176	176	177	177	17
15	169	171	182	197	204	53
25	158	170	217	280	308	105
35	146	176	265	350	394	165
45	124	169	263	349	412	200
55	67	101	173	241	285	152
65	10	15	32	75	104	49
75	3	3	4	5	8	7
85	1	2	2	2	2	2
90	1	1	2	3	3	
95	33	90	74	50	40	88
105	169	342	423	412	404	308
115	324	431	649	731	756	575
125	471	537	696	848	903	618
135	605	663	746	845	893	580
145	718	756	798	859	895	504
155	808	814	872	889	904	395
165	873	867	879	907	925	251
175	908	903	897	894	902	87
180	906	906	906	906	906	



Group Dekko, 2505 Dekko Drive, Garrett, IN 46738
 Phone: 800-829-3101 www.groupdekko.com
 Rev. 2/10/2015



Compliant to UL 1598