



THE STAFFORD + STAFFORD MINI





The Stafford series' sleek form elicits impressions of refinement, confidence and gravitas, while imparting a hint of the superior capability and function housed below the surface. As trustworthy power and data solutions for boardrooms, executive offices and conference rooms, the Stafford and Stafford Mini own a reputation as impressive as their alluring style.

Embedded into conference tables, the Stafford's quality craftsmanship is dazzling —and peerless in its ability to deliver the aesthetic panache and technology performance demanded in executive environments. The continuous-cast bezel offers a consistent, clean contact with the table surface, presenting trim lines, smooth and seamless to the touch. The high-quality resistance-hinge door assembly extends stable positioning of the door throughout its entire movement span, as well as a quiet, comfortable closure. The doors also provide space along the edges for cable exit while closed.

Encased in the Stafford series' distinguished satin-silver structures are multiple power outlets, smart charging USB ports, and Extron "Mini" MAAP blank plates for customized additions and configurations.

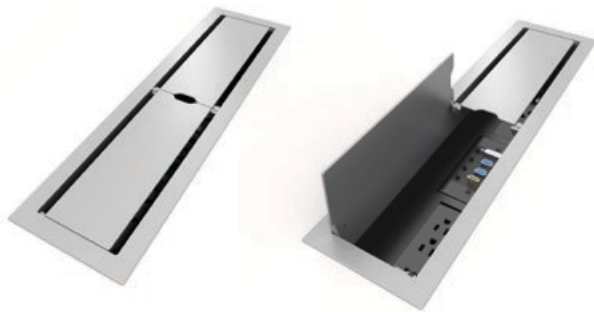
The Stafford and Stafford Mini each bring sophistication and elegance to today's high-powered meeting rooms.

THE STAFFORD

The Stafford features four electrical AC 15 Amp power outlets, four USB ports, and four blank Extron “Mini” MAAP (Mini Architectural Adapter Plates) plates. Each USB port utilizes a Smart Device Recognition Chip to monitor and independently deliver the required amperage to your devices—up to 2.1 amps each—and charge them in half the time it takes with similar products on the market.

Stafford USB charging is UL 1310 recognized, Class 2, FCC Part 15A approved, and meets USB.org Battery Charging 1.2 specifications and UL Spill Resistance requirements.

Standard cord options are: One 10-foot Black PVC Free NEMA Cord, One 1-foot Black PVC Free Perimeter Cord, or One 8-foot Conduit (for hardwire connection).



Standard Finishes:

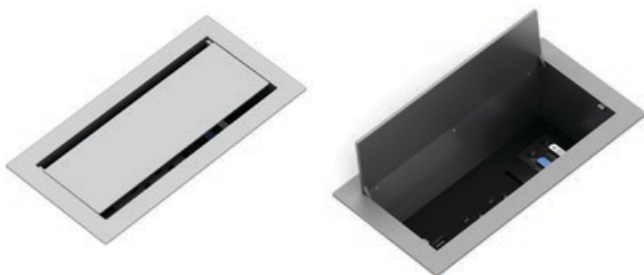
- Flange and doors are Satin Silver
- Recessed cavity is Satin Black
- Receptacles and USB ports, and Extron plates are Black Plastic. Extron plates are black metal
- NEMA and Perimeter cords are Black
- Conduit is Silver
- Length: 18.5” Width: 5”

THE STAFFORD MINI

The Stafford Mini features two electrical AC 15 Amp power outlets, two USB ports, and two blank Extron “Mini” MAAP (Mini Architectural Adapter Plates) plates. Each USB port utilizes a Smart Device Recognition Chip to monitor and independently deliver the required amperage to your devices—up to 2.1 amps each—and charge them in half the time it takes with similar products on the market.

Stafford Mini USB charging is UL 1310 recognized, Class 2, FCC Part 15A approved, and meets USB.org Battery Charging 1.2 specifications and UL Spill Resistance requirements.

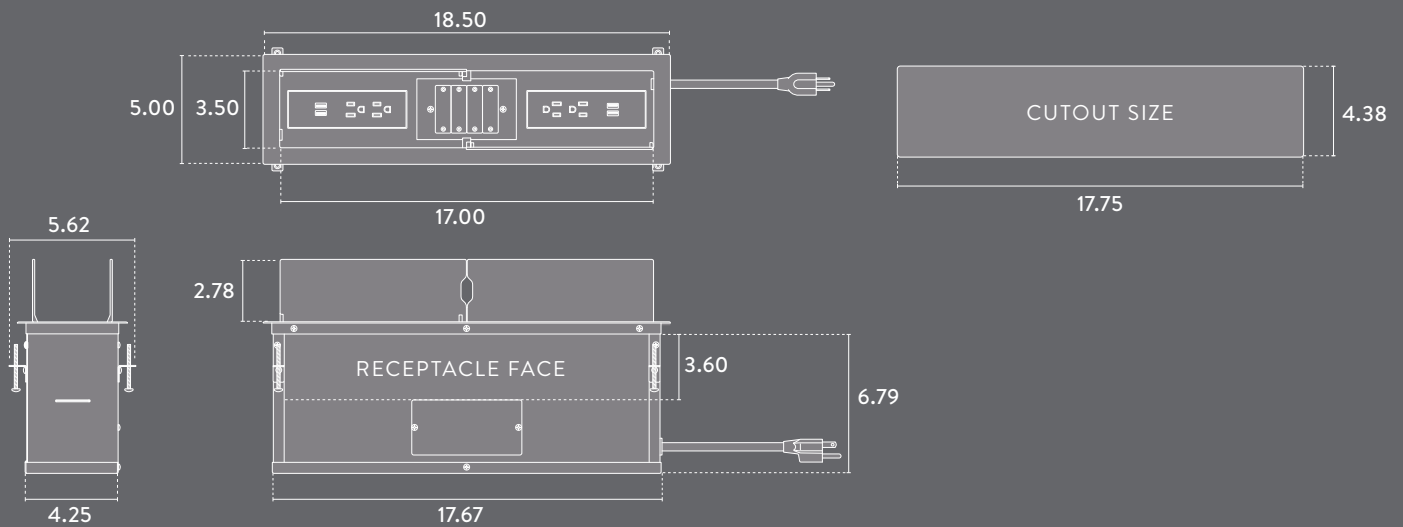
Standard cord options are: One 10-foot Black PVC Free NEMA Cord, One 1-foot Black PVC Free Perimeter Cord, or One 8-foot Conduit.



Standard Finishes:

- Flange and doors are Satin Silver
- Recessed cavity is Satin Black
- Receptacles and USB ports, and Extron plates are Black Plastic. Extron plates are black metal
- NEMA and Perimeter cords are Black
- Conduit is Silver
- Length: 10” Width: 5”

THE STAFFORD



THE STAFFORD MINI

