



2505 Dekko Drive
Garrett, IN 46738

Customer Service: 800.357.5622

Powered by Pent® MINI ADAPT

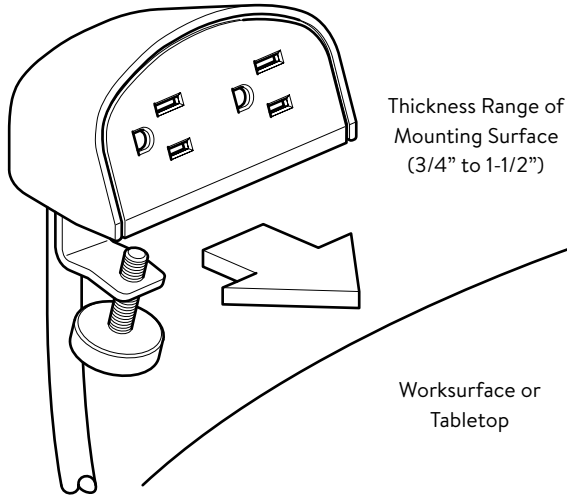
- Corded -
Surface Mounting
Installation Instruction

This device complies with part 15A of the FCC Rules. Operation is subject to the following two conditions: (1) This device may not cause harmful interference, and (2) this device must accept any interference received, including interference that may cause undesired operation.

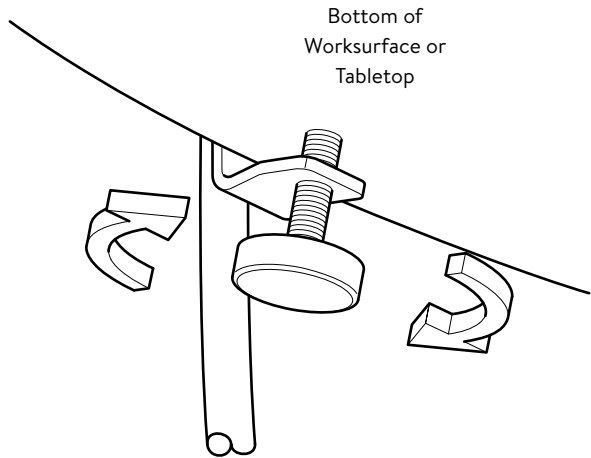
Tools Required _____

No Tools Required

1 Slide Mini Adapt Unit onto Desired Worksurface or Tabletop



2 Secure Unit to Bottom Surface with Thumb Screw



3 Route Power Cord to Nearest Power Distribution Source

