

STU
DIO

BY DEKKO

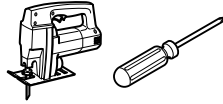
2505 Dekko Drive
Garrett, IN 46738
Customer Service: 800.357.5622

ASHLEY DUO AIR

- Conduit Feed -
Surface Mounting
Installation Instruction

This device complies with part 15A of the FCC Rules. Operation is subject to the following two conditions: (1) This device may not cause harmful interference, and (2) this device must accept any interference received, including interference that may cause undesired operation.

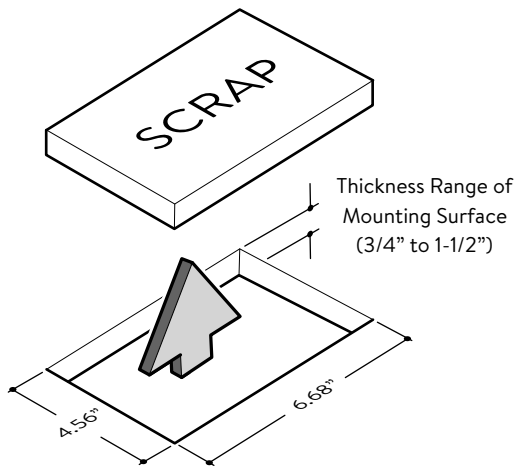
Tools Required



1 Cutout Opening for Ashley Duo Air Assembly

*** NOTE ***

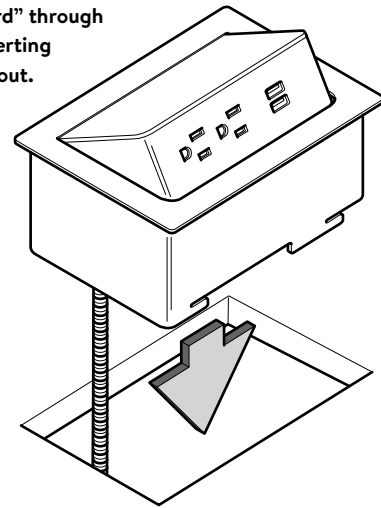
Please use Template Provided on Page 2.
Max Radius on Cutout Corners is 1/4"



2 Install Ashley Duo Air Assembly into Cutout

*** NOTE ***

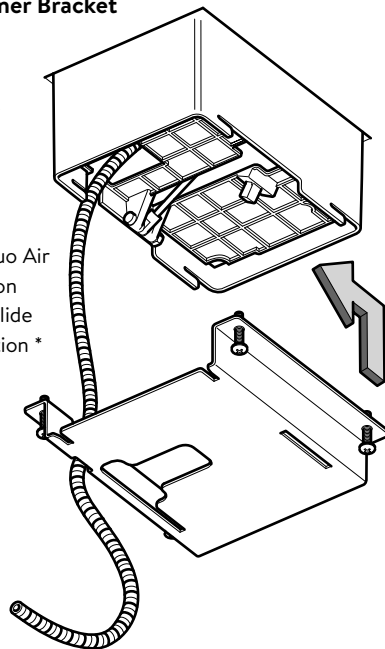
Route "Power Cord" through cutout before inserting assembly into cutout.



3 Install Retainer Bracket

Underside of Worksurface

* Align Tabs on Ashley Duo Air Assembly with Slots on Retainer Bracket and Slide into Fully Engaged Position *



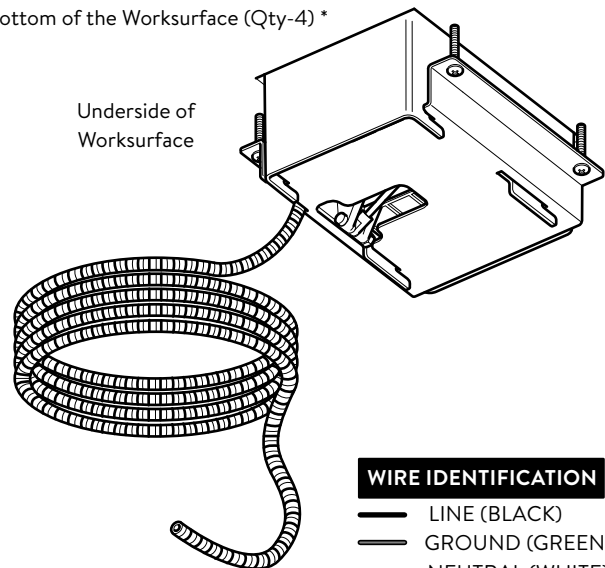
*** NOTE ***

Route Power Cord Through Notch in Retainer Bracket

4 Route Power Cord to Nearest Power Distribution Source

* Tighten Screws Snug to the Bottom of the Worksurface (Qty-4) *

Underside of Worksurface



WIRE IDENTIFICATION

- LINE (BLACK)
- GROUND (GREEN)
- NEUTRAL (WHITE)

E.C.N. No: GD17-002964

Part Number: G110089

Page Number: 1 of 2

Revision: D



2505 Dekko Drive
Garrett, IN 46738
Customer Service: 800.357.5622

ASHLEY DUO AIR

- Conduit Feed -
Surface Mounting

Installation Instruction Template

This device complies with part 15A of the FCC Rules. Operation is subject to the following two conditions: (1) This device may not cause harmful interference, and (2) this device must accept any interference received, including interference that may cause undesired operation.

