

STU
DIO

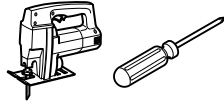
BY DEKKO 2505 Dekko Drive
Garrett, IN 46738
Customer Service: 800.357.5622

ASHLEY DUO AIR

- Corded -
Surface Mounting
Installation Instruction

This device complies with part 15A of the FCC Rules. Operation is subject to the following two conditions: (1) This device may not cause harmful interference, and (2) this device must accept any interference received, including interference that may cause undesired operation.

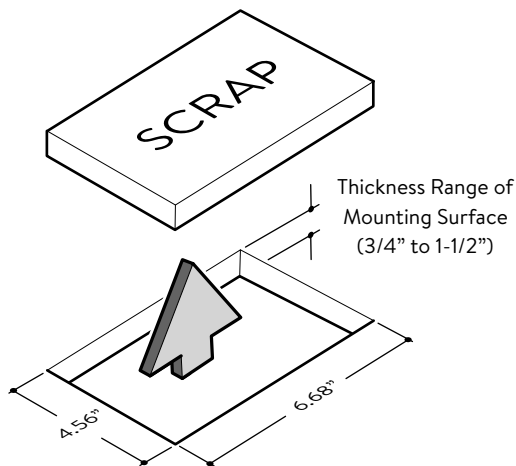
Tools Required



1 Cutout Opening for Ashley Duo Air Assembly

*** NOTE ***

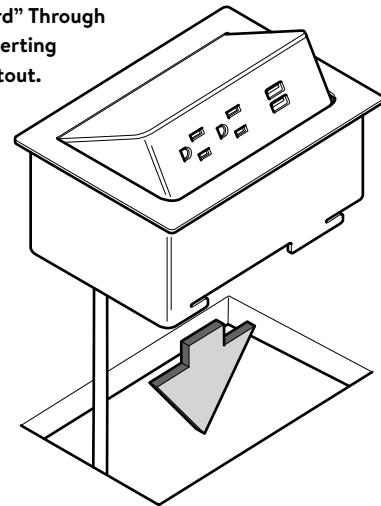
Please use Template Provided on Page 2.
Max Radius on Cutout Corners is 1/4"



2 Install Ashley Duo Air Assembly into Cutout

*** NOTE ***

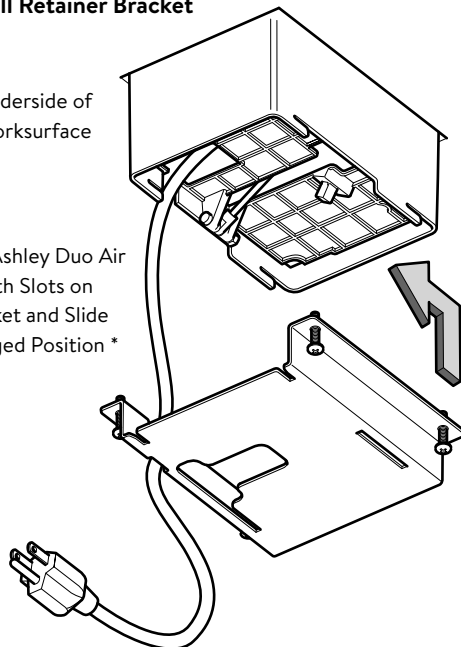
Route "Power Cord" Through
Cutout Before Inserting
Assembly into Cutout.



3 Install Retainer Bracket

Underside of
Worksurface

* Align Tabs on Ashley Duo Air
Assembly with Slots on
Retainer Bracket and Slide
into Fully Engaged Position *



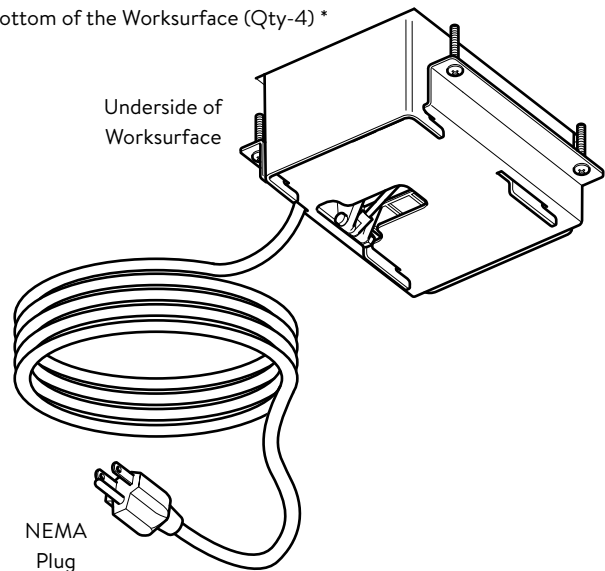
*** NOTE ***

Route Power Cord Through Notch in Retainer Bracket

4 Route Power Cord to Nearest Power Distribution Source

* Tighten Screws Snug to the
Bottom of the Worksurface (Qty-4) *

Underside of
Worksurface



NEMA
Plug

E.C.N. No: GD17-002964

Part Number: G110087

Page Number: 1 of 2

Revision: D



2505 Dekko Drive
 Garrett, IN 46738
 Customer Service: 800.357.5622

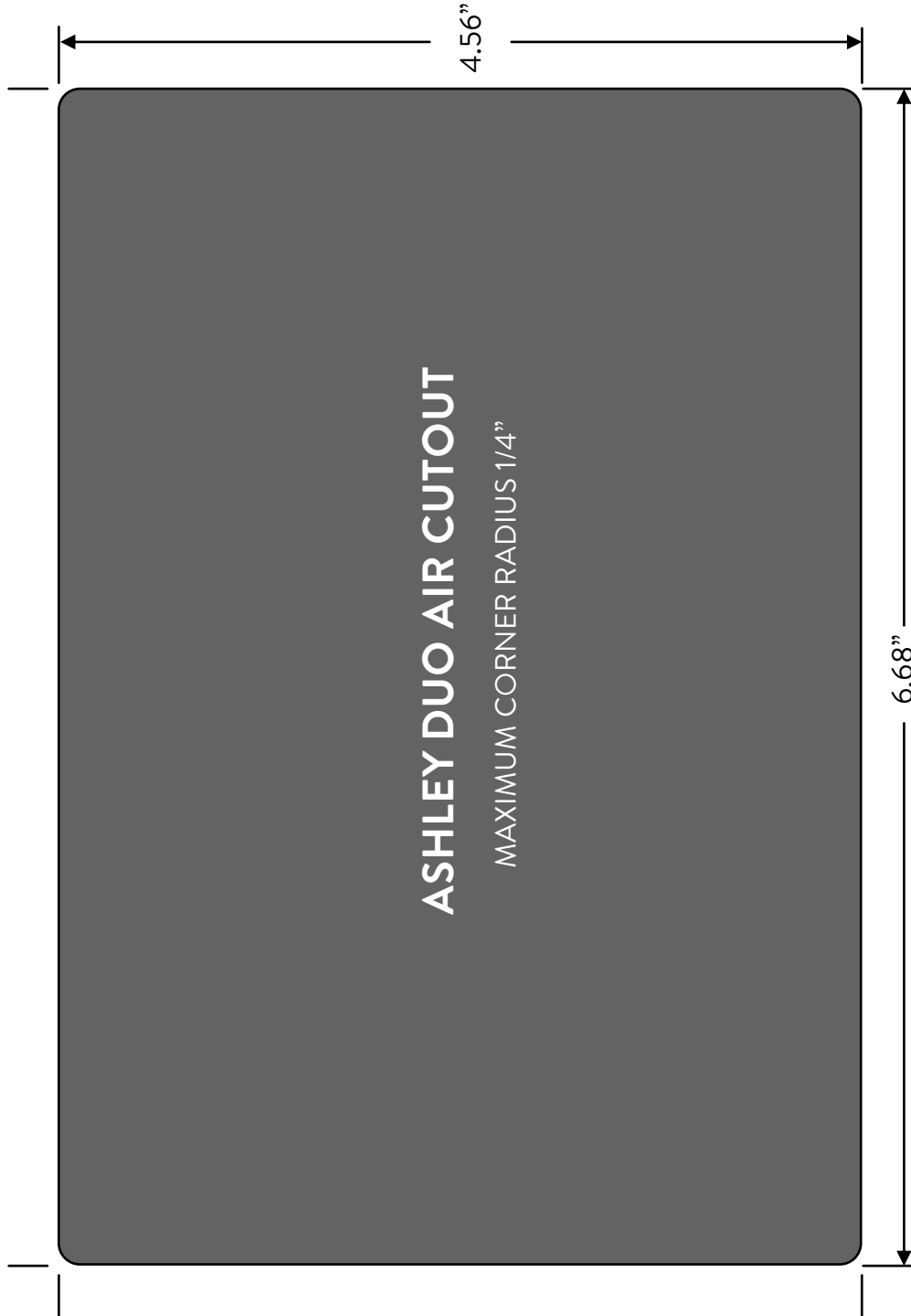
ASHLEY DUO AIR

- Corded -

Surface Mounting

Installation Instruction Template

This device complies with part 15A of the FCC Rules. Operation is subject to the following two conditions: (1) This device may not cause harmful interference, and (2) this device must accept any interference received, including interference that may cause undesired operation.



E.C.N. No: GD17-002964

Part Number: G110087

Page Number: 2 of 2

Revision: D