

STUDIO

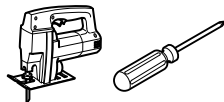
BY DEKKO 2505 Dekko Drive
Garrett, IN 46738
Customer Service: 800.357.5622

ASHLEY DUO BEZEL

- Modular 8-10 System -
Horizontal & Vertical Surface Mounting
Installation Instruction

This device complies with part 15A of the FCC Rules. Operation is subject to the following two conditions: (1) This device may not cause harmful interference, and (2) this device must accept any interference received, including interference that may cause undesired operation.

Tools Required

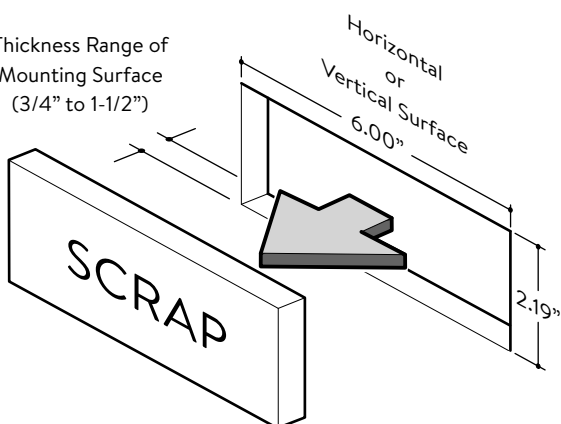


1 Cutout Opening for Ashley Duo Bezel Assembly

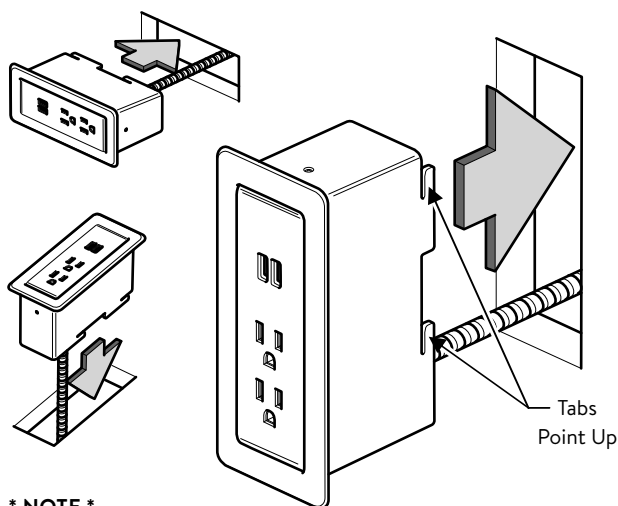
* NOTE *

Max Radius on Cutout Corners is 1/4"

Thickness Range of
Mounting Surface
(3/4" to 1-1/2")



2 Install Ashley Duo Bezel Assembly into Cutout



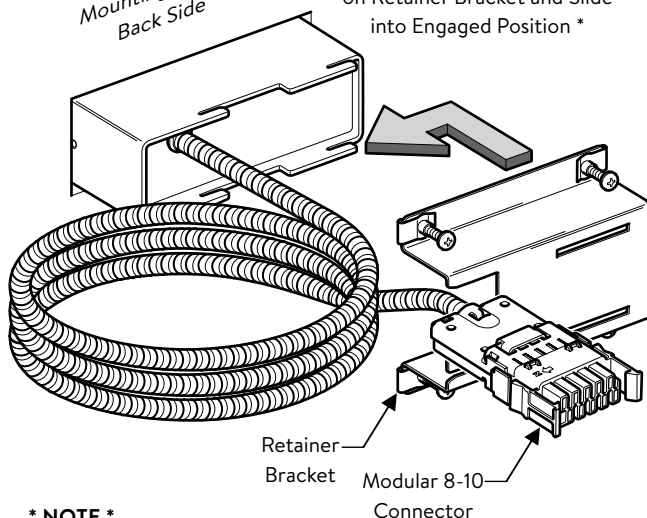
* NOTE *

Tabs Point Up when Unit is
Installed Vertically - See Vertical Orientation

3 Install Retainer Bracket

Mounting Surface
Back Side

* Align Tabs on Bezel with Slots
on Retainer Bracket and Slide
into Engaged Position *

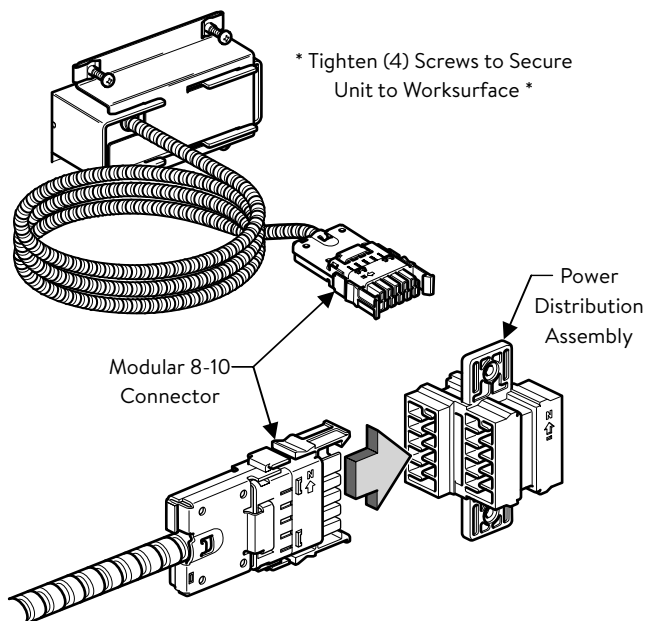


* NOTE *

Route Connector Through Notch in Retainer Bracket

4 Route Connector to Nearest Power Distribution Source

* Tighten (4) Screws to Secure
Unit to Worksurface *



E.C.N. No: GD17-002964

Part Number: G110152

Page Number: 1 of 2

Revision: B



2505 Dekko Drive
Garrett, IN 46738
Customer Service: 800.357.5622

ASHLEY DUO BEZEL
- Modular 8-10 System -
Horizontal & Vertical Surface Mounting
Installation Instruction Template

This device complies with part 15A of the FCC Rules. Operation is subject to the following two conditions: (1) This device may not cause harmful interference, and (2) this device must accept any interference received, including interference that may cause undesired operation.

