



BY DEKKO

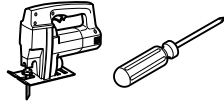
2505 Dekko Drive  
Garrett, IN 46738  
Customer Service: 800.357.5622

# ASHLEY DUO BEZEL

- Corded -  
Horizontal & Vertical Surface Mounting  
Installation Instruction

This device complies with part 15A of the FCC Rules. Operation is subject to the following two conditions: (1) This device may not cause harmful interference, and (2) this device must accept any interference received, including interference that may cause undesired operation.

### Tools Required

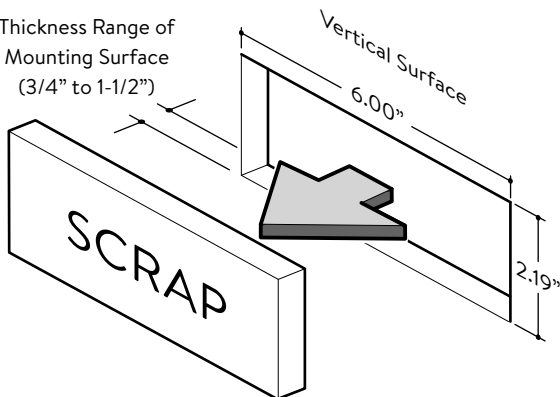


## 1 Cutout Opening for Ashley Duo Bezel Assembly

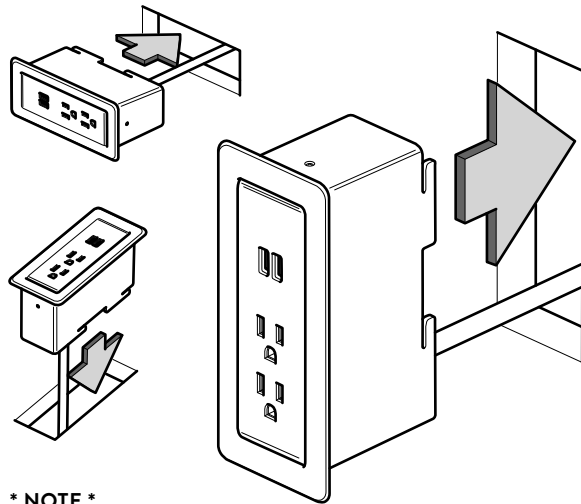
### \* NOTE \*

Max Radius on Cutout Corners is 1/4"

Thickness Range of  
Mounting Surface  
(3/4" to 1-1/2")



## 2 Install Ashley Duo Bezel Assembly into Cutout



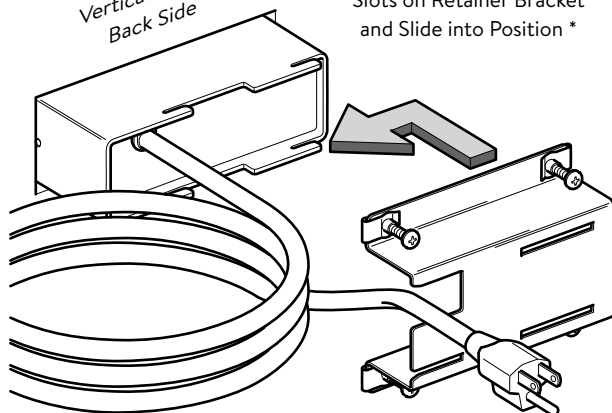
### \* NOTE \*

Tabs Point Up when Unit is  
Installed Vertically - See Vertical Orientation

## 3 Install Retainer Bracket

Vertical Surface  
Back Side

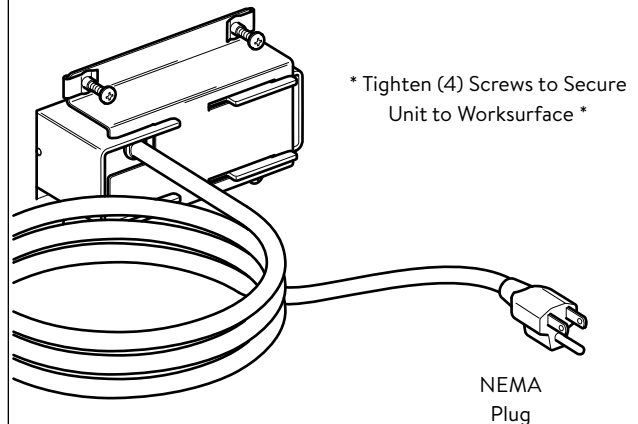
\* Align Tabs on Bezel with  
Slots on Retainer Bracket  
and Slide into Position \*



### \* NOTE \*

Route Power Cord Through Notch in Retainer Bracket

## 4 Route Power Cord to Nearest Power Distribution Source



\* Tighten (4) Screws to Secure  
Unit to Worksurface \*

E.C.N. No: GD17-002964

Part Number: G110054

Page Number: 1 of 2

Revision: E



2505 Dekko Drive  
Garrett, IN 46738  
Customer Service: 800.357.5622

**ASHLEY DUO BEZEL**  
- Corded -  
**Horizontal & Vertical Surface Mounting**  
Installation Instruction Template

This device complies with part 15A of the FCC Rules. Operation is subject to the following two conditions: (1) This device may not cause harmful interference, and (2) this device must accept any interference received, including interference that may cause undesired operation.

