

STUDIO

BY DEKKO 2505 Dekko Drive
Garrett, IN 46738
Customer Service: 800.357.5622

ASHLEY DUO UNDER

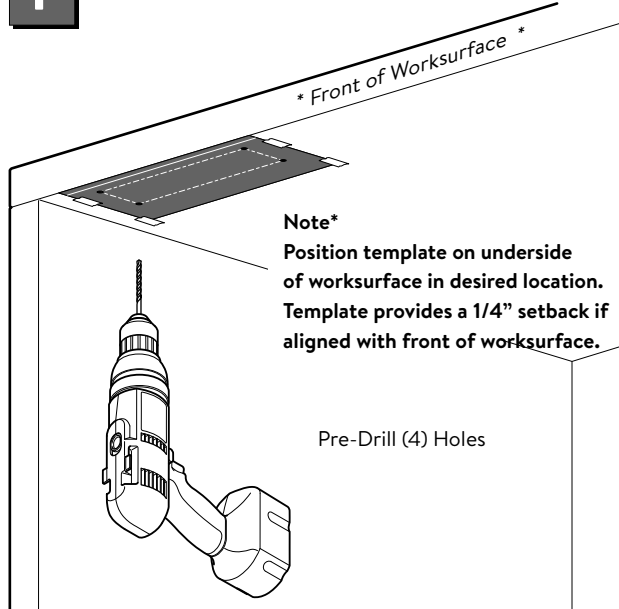
- Modular 8-10 System -
Under Worksurface Mounting
Installation Instruction

This device complies with part 15A of the FCC Rules. Operation is subject to the following two conditions: (1) This device may not cause harmful interference, and (2) this device must accept any interference received, including interference that may cause undesired operation.

Tools Required



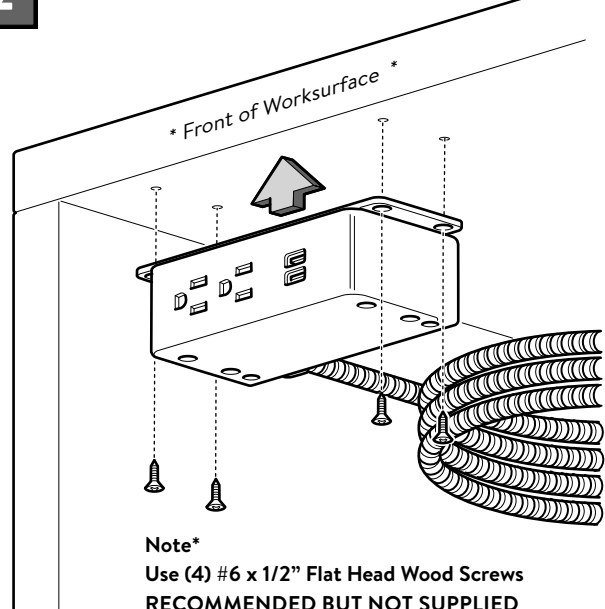
1 Place Template and Pre-Drill Holes



Note*
Position template on underside of work surface in desired location. Template provides a 1/4" setback if aligned with front of work surface.

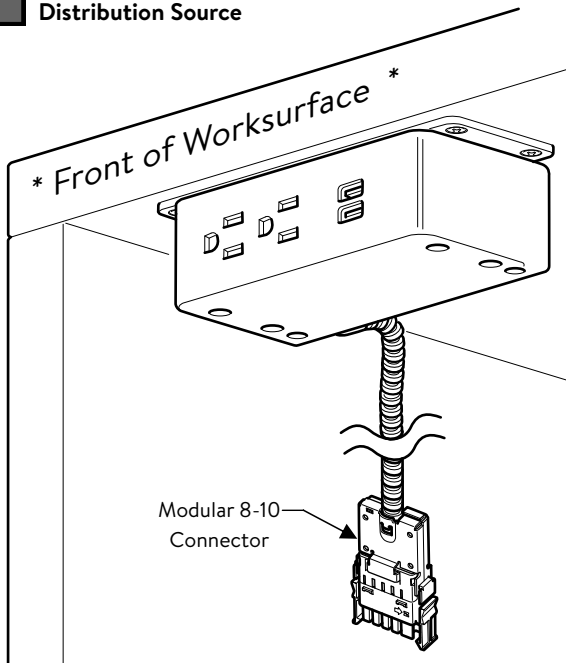
Pre-Drill (4) Holes

2 Install Ashley Duo Under to Worksurface

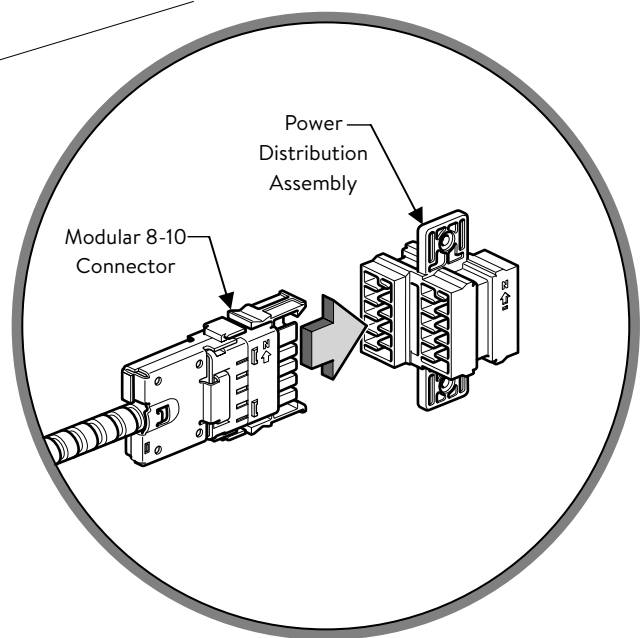


Note*
Use (4) #6 x 1/2" Flat Head Wood Screws
RECOMMENDED BUT NOT SUPPLIED

3 Route Connector to Nearest Power Distribution Source



Modular 8-10 Connector



Power Distribution Assembly

Modular 8-10 Connector



2505 Dekko Drive
Garrett, IN 46738
Customer Service: 800.357.5622

ASHLEY DUO UNDER

- Modular 8-10 System -
Under Worksurface Mounting
Installation Instruction Template

This device complies with part 15A of the FCC Rules. Operation is subject to the following two conditions: (1) This device may not cause harmful interference, and (2) this device must accept any interference received, including interference that may cause undesired operation.

SUGGESTED SET BACK

1/4" SET BACK FROM FRONT EDGE

FRONT EDGE OF WORKSURFACE

FRONT OF ASHLEY DUO UNDER

ASHLEY DUO UNDER DRILLING TEMPLATE

PRE-DRILL (4) HOLES

1.63"

6.00"

