



BY DEKKO  
 2505 Dekko Drive  
 Garrett, IN 46738  
 Customer Service: 800.357.5622

# ASHLEY DUO UNDER

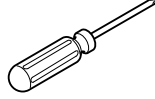
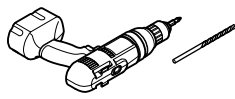
- Corded -

## Under Worksurface Mounting

### Installation Instruction

This device complies with part 15A of the FCC Rules. Operation is subject to the following two conditions: (1) This device may not cause harmful interference, and (2) this device must accept any interference received, including interference that may cause undesired operation.

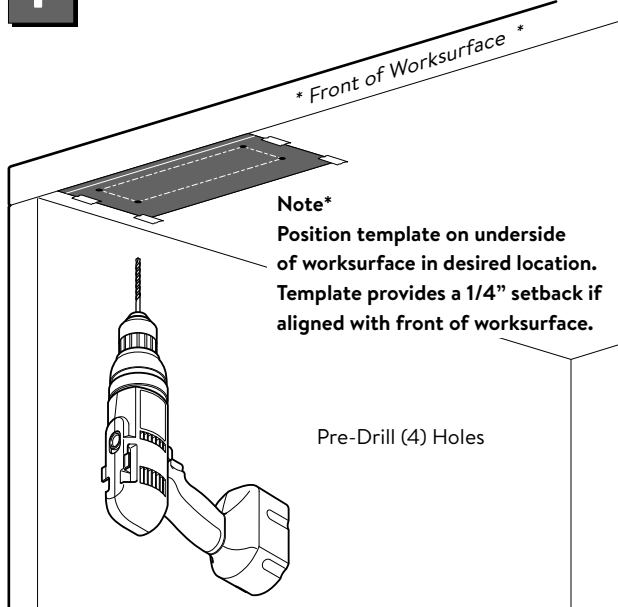
#### Tools Required



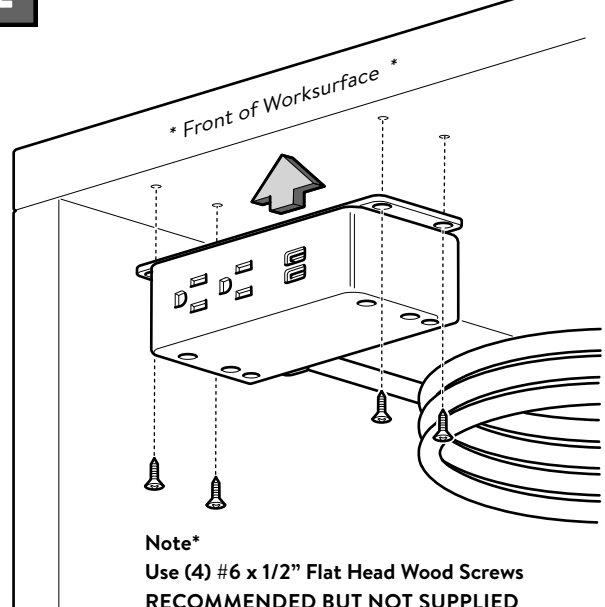
Screwdriver needed for optional power cord mounting clamps.



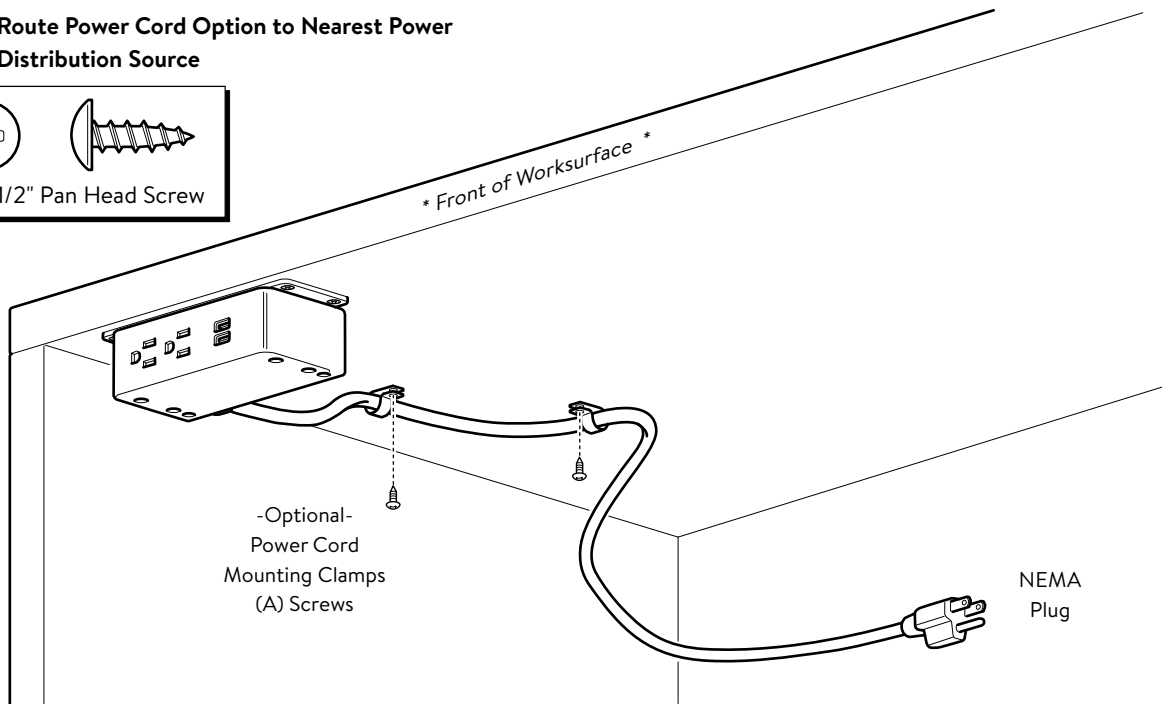
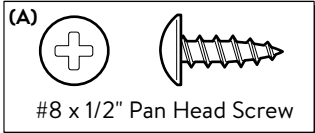
### 1 Place Template and Pre-Drill Holes



### 2 Install Ashley Duo Under to Worksurface



### 3 Route Power Cord Option to Nearest Power Distribution Source





2505 Dekko Drive  
Garrett, IN 46738  
Customer Service: 800.357.5622

# ASHLEY DUO UNDER

- Corded -

**Under Worksurface Mounting**  
Installation Instruction Template

This device complies with part 15A of the FCC Rules. Operation is subject to the following two conditions: (1) This device may not cause harmful interference, and (2) this device must accept any interference received, including interference that may cause undesired operation.



\*SUGGESTED SET BACK\*

\*SUGGESTED SET BACK\*

\*FRONT EDGE OF WORKSURFACE\*

\*1/4" SET BACK FROM FRONT EDGE\*

\*FRONT OF ASHLEY DUO UNDER\*

\*1/4" SET BACK FROM FRONT EDGE\*

**\*ASHLEY DUO UNDER DRILLING TEMPLATE\***

\*PRE-DRILL (4) HOLES\*

1.63"

6.00"