

STUDIO

BY DEKKO 2505 Dekko Drive  
Garrett, IN 46738  
Customer Service: 800.357.5622

# ASHLEY QUAD

- Conduit -  
Instruction Sheet

This device complies with part 15A of the FCC Rules. Operation is subject to the following two conditions: (1) This device may not cause harmful interference, and (2) this device must accept any interference received, including interference that may cause undesired operation.

### Tools Required

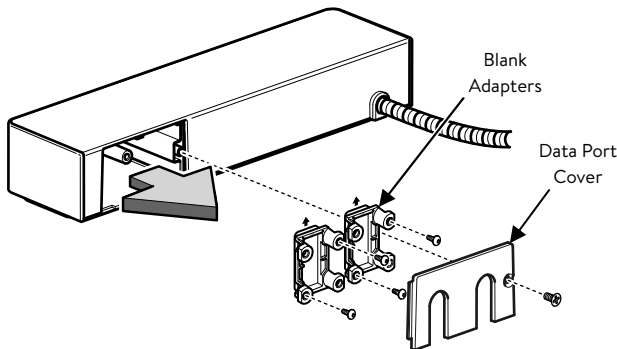


#15 Torx  
Screw Driver or Wrench

### \*NOTE\*

All Tech Adapters Need to be Mounted in the  
↑ "UP" ↑ Position. (Refer to the back of Parts)

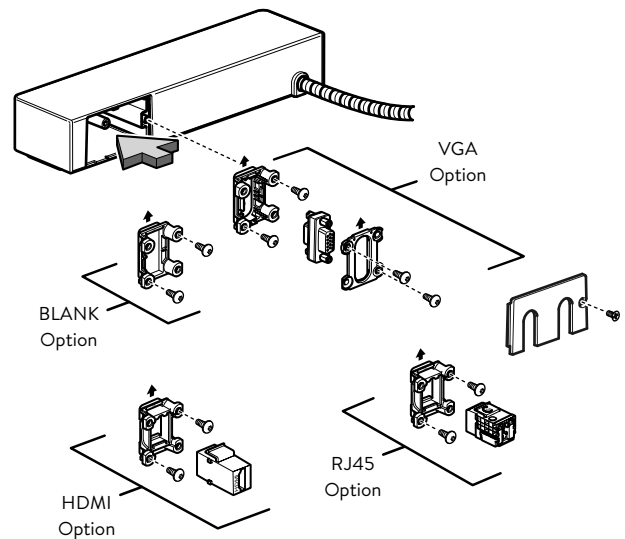
## 1 Remove Data Port Cover and Blank Adapters



## 2 Install Data Port Options - (VGA, RJ45, HDMI, BLANK)

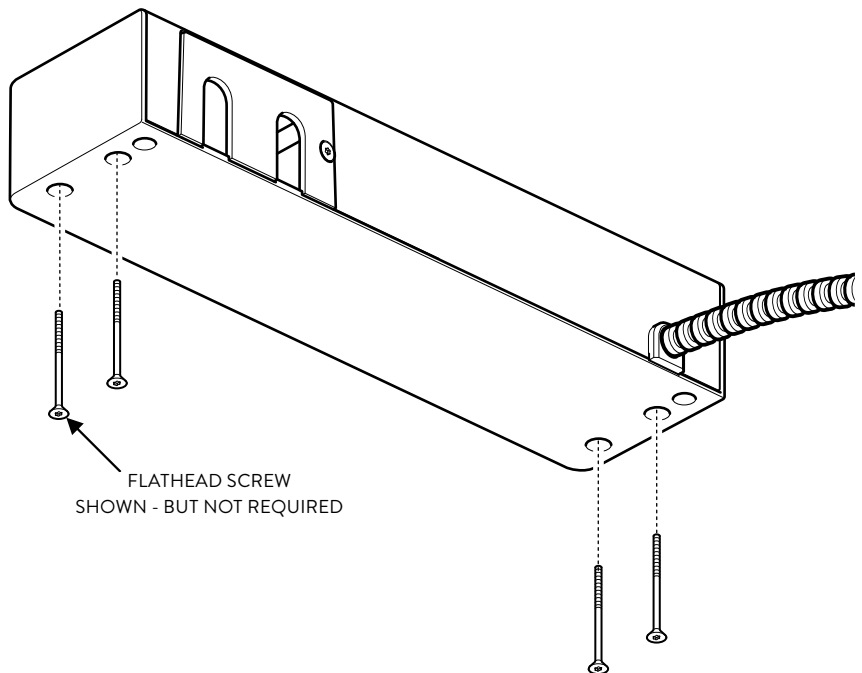
### \*NOTE\*

See Sheet #2 for Detailed Instructions



### Note\*

(4) #6-19 x 1-1/2" Plastite Screws  
**REQUIRED BUT NOT SUPPLIED**



FLATHEAD SCREW  
SHOWN - BUT NOT REQUIRED



2505 Dekko Drive  
Garrett, IN 46738  
Customer Service: 800.357.5622

# ASHLEY QUAD

- Conduit -  
Instruction Sheet

This device complies with part 15A of the FCC Rules. Operation is subject to the following two conditions: (1) This device may not cause harmful interference, and (2) this device must accept any interference received, including interference that may cause undesired operation.

## Tools Required

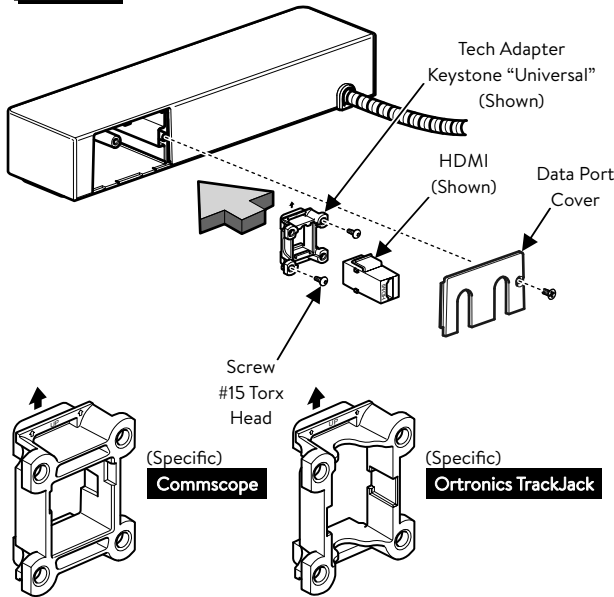


### \*NOTE\*

All Tech Adapters Need to be Mounted in the  
↑ "UP" ↑ Position. (Refer to the back of Parts)



## 2.1 Install Data Tech Adapter Option



(Universal)

### KEYSTONE

HDMI	Optical Cable Corp 5e
Tripp-Lite	Optical Cable Corp 6
Allen-Tel	Ortronics
AMP TE-Krone	Panduit NetKey
Belden KeyConnect	Hubbell Premise
Leviton Quick Port	Type F Coax
Leviton Quick Port Extreme	ETC. (ET. AL.)

(Specific)  
Belden EZ MDVO

(Specific)  
Panduit Mini-COM

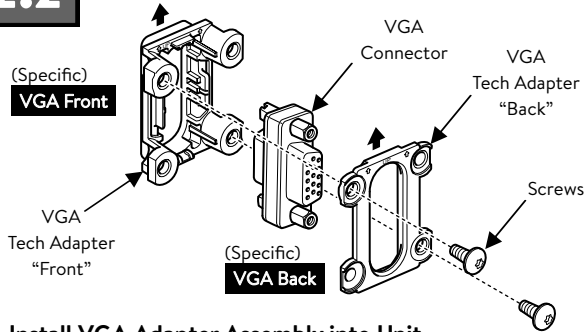
(Specific)  
Commscope

(Specific)  
Ortronics TrackJack

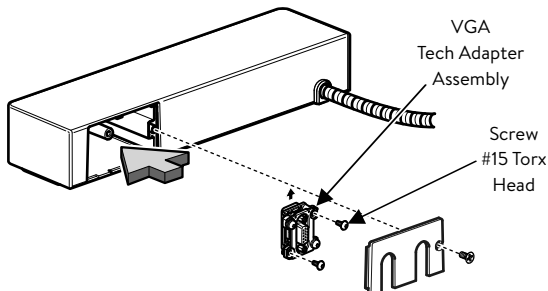
(Specific)  
Siemon

(Specific)  
Cable Retainer

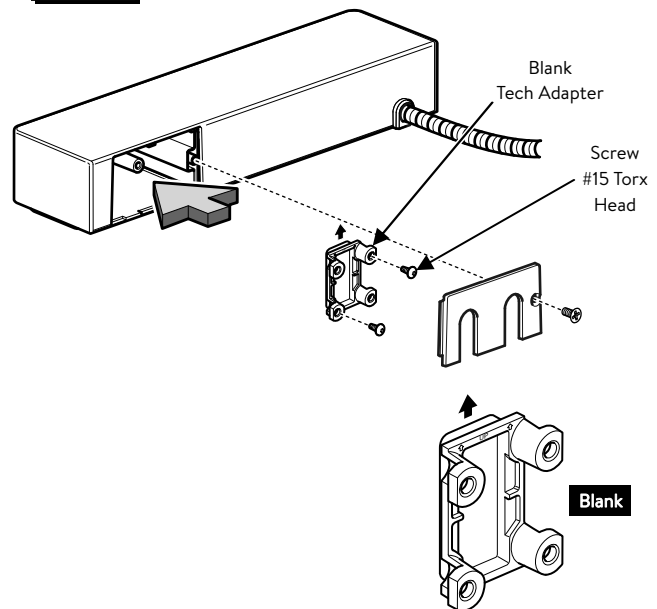
## 2.2 A Install VGA Connector to VGA Tech Adapters



## B Install VGA Adapter Assembly into Unit



## 2.3 Install Blank Tech Adapter Option



E.C.N. No: GD17-002883

Part Number: G110268

Page Number: 2 of 2

Revision: B