

STUDIO

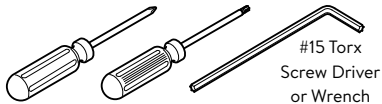
BY DEKKO 2505 Dekko Drive  
Garrett, IN 46738  
Customer Service: 800.357.5622

# ASHLEY QUAD

- Conduit -  
Above Worksurface Mounting  
Installation Instruction

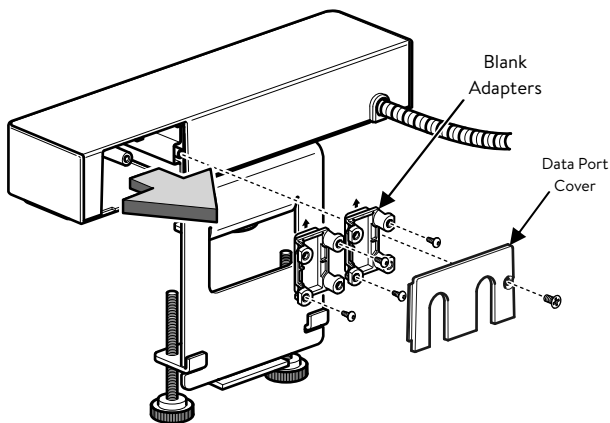
This device complies with part 15A of the FCC Rules. Operation is subject to the following two conditions: (1) This device may not cause harmful interference, and (2) this device must accept any interference received, including interference that may cause undesired operation.

### Tools Required



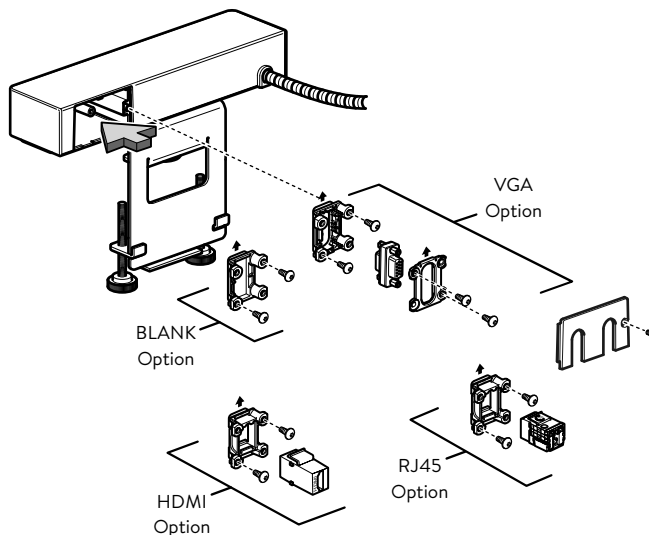
**\*NOTE\***  
All Tech Adapters Need to be Mounted in the  
⬆ "UP" ⬆ Position. (Refer to the back of Parts)

## 1 Remove Data Port Cover and Blank Adapters

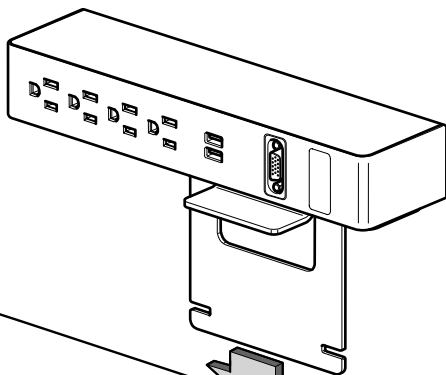


## 2 Install Data Port Options (VGA, RJ45, HDMI, BLANK)

**\*NOTE\***  
See Sheet #2 for Detailed Instructions

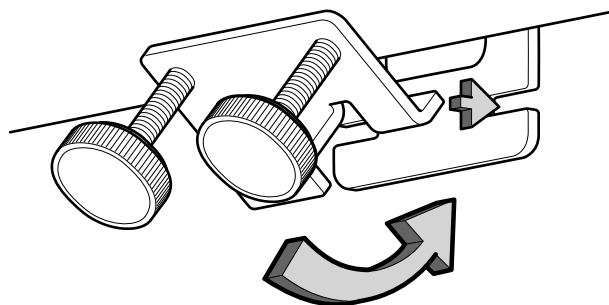


## 3 Slide Bracket Behind Worksurface



## 4 Install Bottom Bracket Under the Worksurface

\* Underside of Worksurface \*





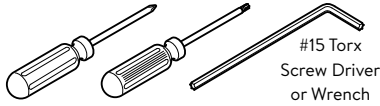
2505 Dekko Drive  
Garrett, IN 46738  
Customer Service: 800.357.5622

# ASHLEY QUAD

- Conduit -  
Above Worksurface Mounting  
Installation Instruction

This device complies with part 15A of the FCC Rules. Operation is subject to the following two conditions: (1) This device may not cause harmful interference, and (2) this device must accept any interference received, including interference that may cause undesired operation.

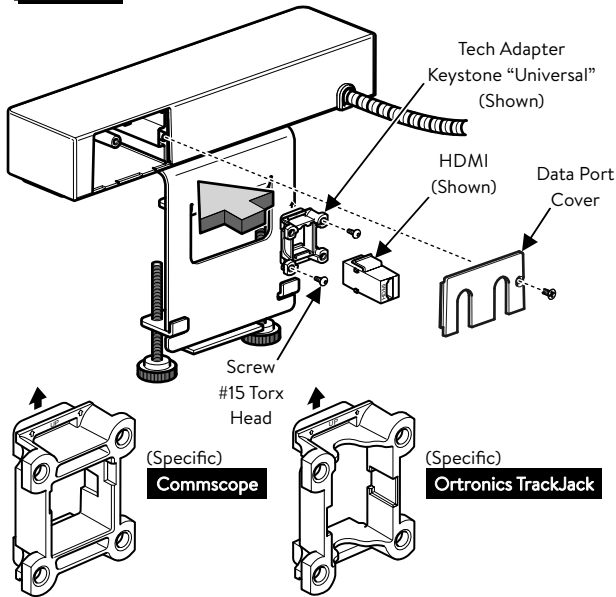
### Tools Required



**\*NOTE\***  
All Tech Adapters Need to be Mounted in the  
↑ "UP" ↑ Position. (Refer to the back of Parts)

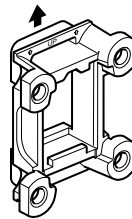


## 2.1 Install Data Tech Adapter Option

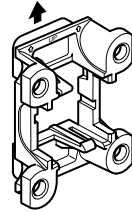


(Universal)

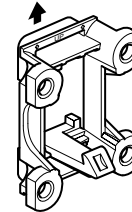
KEystone	
HDMI	Optical Cable Corp 5e
Tripp-Lite	Optical Cable Corp 6
Allen-Tel	Ortronics
AMP TE-Krone	Panduit NetKey
Belden KeyConnect	Hubbell Premise
Leviton Quick Port	Type F Coax
Leviton Quick Port Extreme	ETC. (ET. AL.)



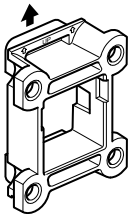
(Specific)  
Belden EZ MDVO



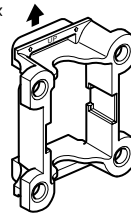
(Specific)  
Panduit Mini-COM



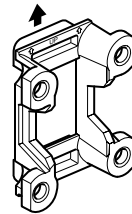
(Specific)  
Commscope



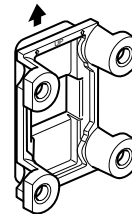
(Specific)  
Ortronics TrackJack



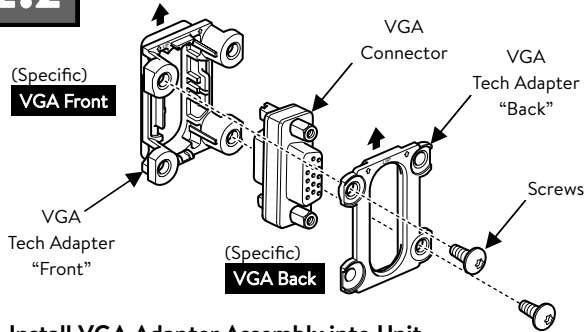
(Specific)  
Siemon



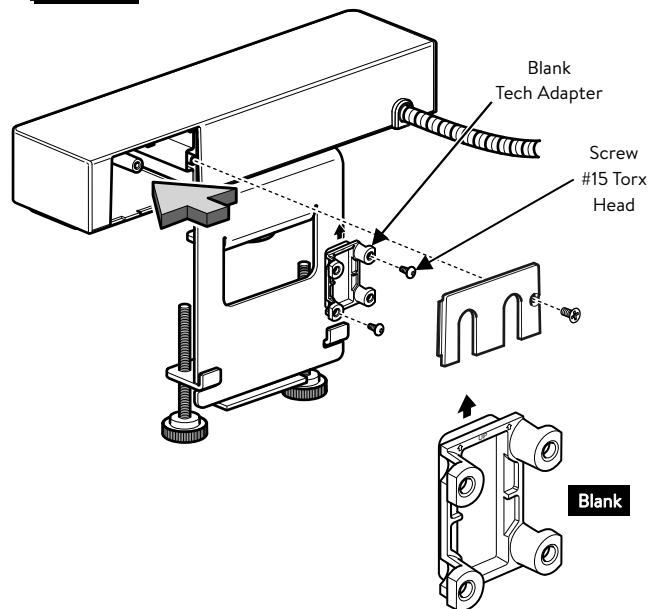
(Specific)  
Cable Retainer



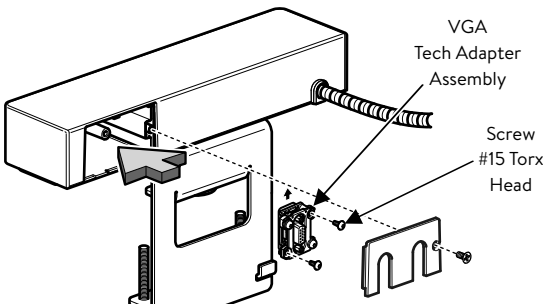
## 2.2 A Install VGA Connector to VGA Tech Adapters



## 2.3 Install Blank Tech Adapter Option



## B Install VGA Adapter Assembly into Unit



E.C.N. No: GD17-002663

Part Number: G110190

Page Number: 2 of 3

Revision: B



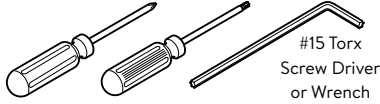
2505 Dekko Drive  
Garrett, IN 46738  
Customer Service: 800.357.5622

## ASHLEY QUAD - Conduit -

### Above Worksurface Mounting Installation Instruction

This device complies with part 15A of the FCC Rules. Operation is subject to the following two conditions: (1) This device may not cause harmful interference, and (2) this device must accept any interference received, including interference that may cause undesired operation.

#### Tools Required



Screwdriver needed for optional  
power cord mounting clamps.



### 5 Secure Thumb Screws and Route Conduit Option to Nearest Power Distribution Source

