

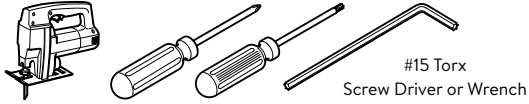
ASHLEY TRIO BEZEL

- Corded -
Horizontal or Vertical Surface Mounting
Installation Instruction

2505 Dekko Drive
Garrett, IN 46738
Customer Service: 800.357.5622

This device complies with part 15A of the FCC Rules. Operation is subject to the following two conditions: (1) This device may not cause harmful interference, and (2) this device must accept any interference received, including interference that may cause undesired operation.

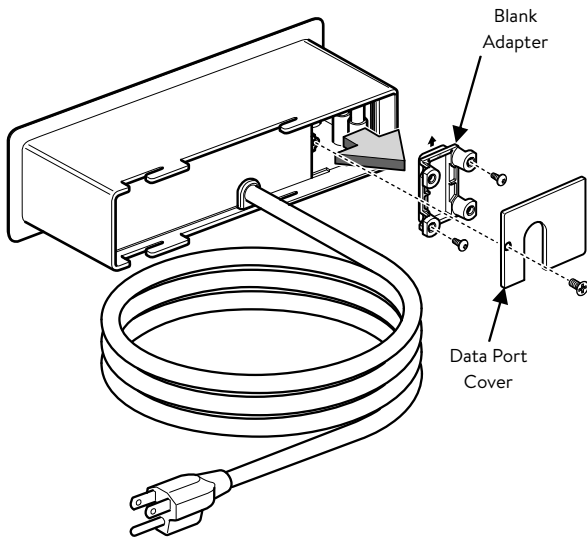
Tools Required



NOTE

All Tech Adapters Need to be Mounted in the
↑ "UP" ↑ Position. (Refer to the back of Parts)

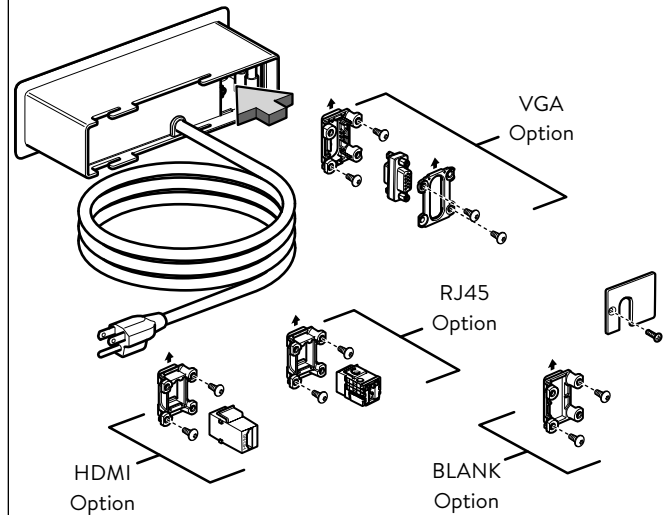
1 Remove Data Port Cover and Blank Adapter



2 Install Data Port Option (VGA, RJ45, HDMI, BLANK)

NOTE

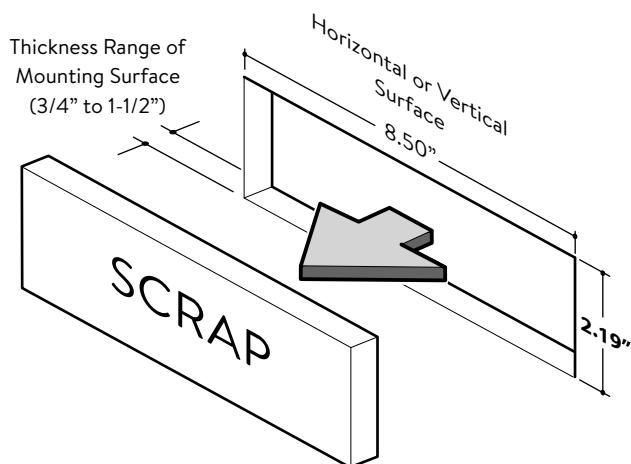
See Sheet #2 for Detailed Instructions



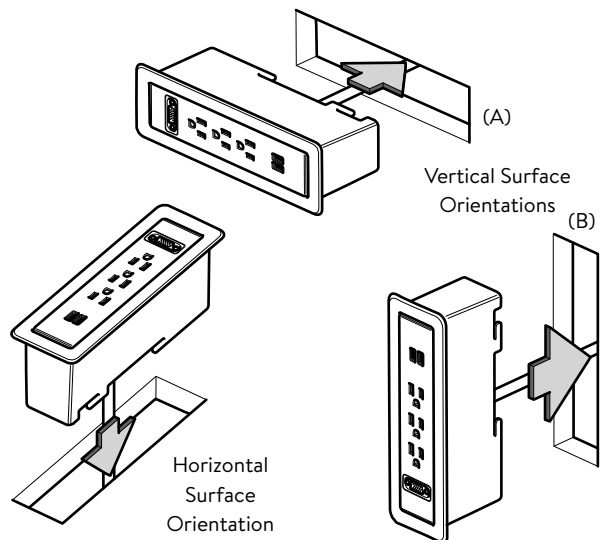
3 Cutout Opening for Ashley Trio[®] Bezel Assembly

* NOTE *

Max Radius on Cutout Corners is 1/4"



4 Install Ashley Trio[®] Bezel Assembly into Cutout



* NOTE *

Tabs Point Up when Unit is Installed Vertically - See Vertical Orientation

E.C.N. No: GD17-002789

Part Number: G110081

Page Number: 1 of 4

Revision: D



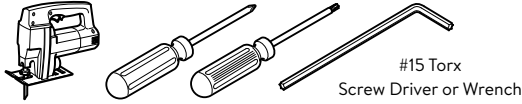
2505 Dekko Drive
Garrett, IN 46738
Customer Service: 800.357.5622

ASHLEY TRIO BEZEL

- Corded -
Horizontal or Vertical Surface Mounting
Installation Instruction

This device complies with part 15A of the FCC Rules. Operation is subject to the following two conditions: (1) This device may not cause harmful interference, and (2) this device must accept any interference received, including interference that may cause undesired operation.

Tools Required

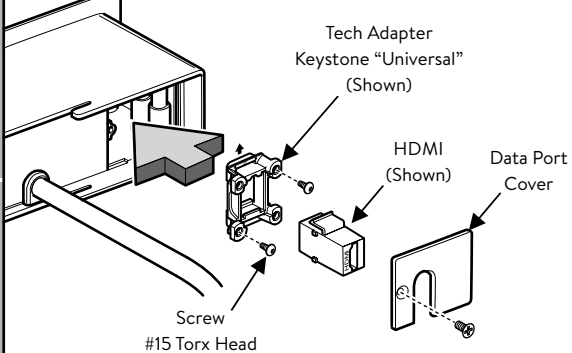


NOTE

All Tech Adapters Need to be Mounted in the
↑ "UP" ↑ Position. (Refer to the back of Parts)



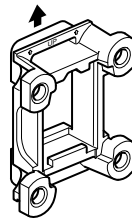
2.1 Install Data Tech Adapter Option



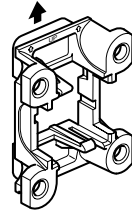
(Universal)

KEystone

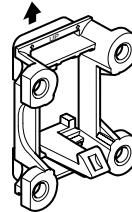
HDMI	Optical Cable Corp 5e
Tripp-Lite	Optical Cable Corp 6
Allen-Tel	Ortronics
AMP TE-Krone	Panduit NetKey
Belden KeyConnect	Hubbell Premise
Leviton Quick Port	Type F Coax
Leviton Quick Port Extreme	ETC. (ET. AL.)



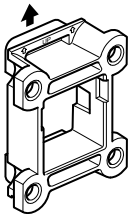
(Specific)
Belden EZ MDVO



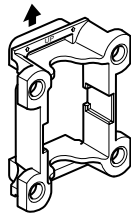
(Specific)
Panduit Mini-COM



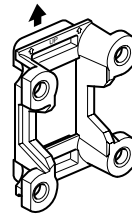
(Specific)
Commscope



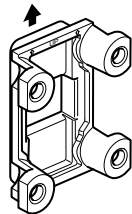
(Specific)
Ortronics TrackJack



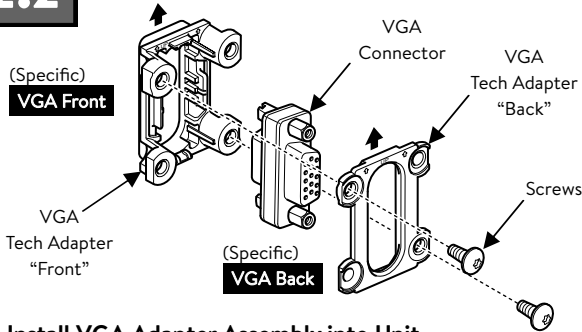
(Specific)
Siemon



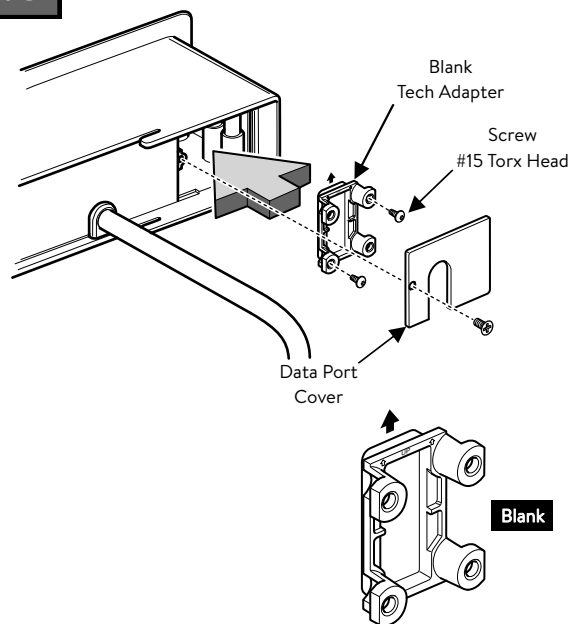
(Specific)
Cable Retainer



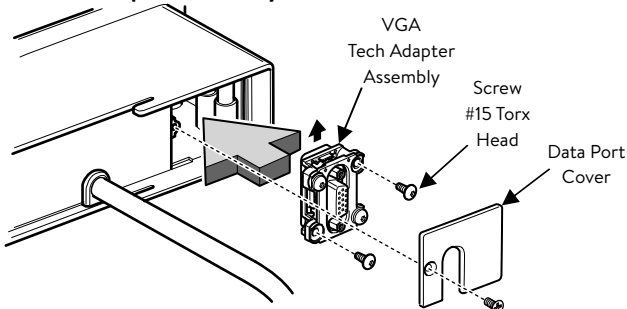
2.2 A Install VGA Connector to VGA Tech Adapters



2.3 Install Blank Tech Adapter Option



B Install VGA Adapter Assembly into Unit



E.C.N. No: GD17-002789

Part Number: G110081

Page Number: 2 of 4

Revision: D



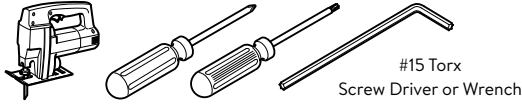
2505 Dekko Drive
Garrett, IN 46738
Customer Service: 800.357.5622

ASHLEY TRIO BEZEL

- Corded -
Horizontal or Vertical Surface Mounting
Installation Instruction

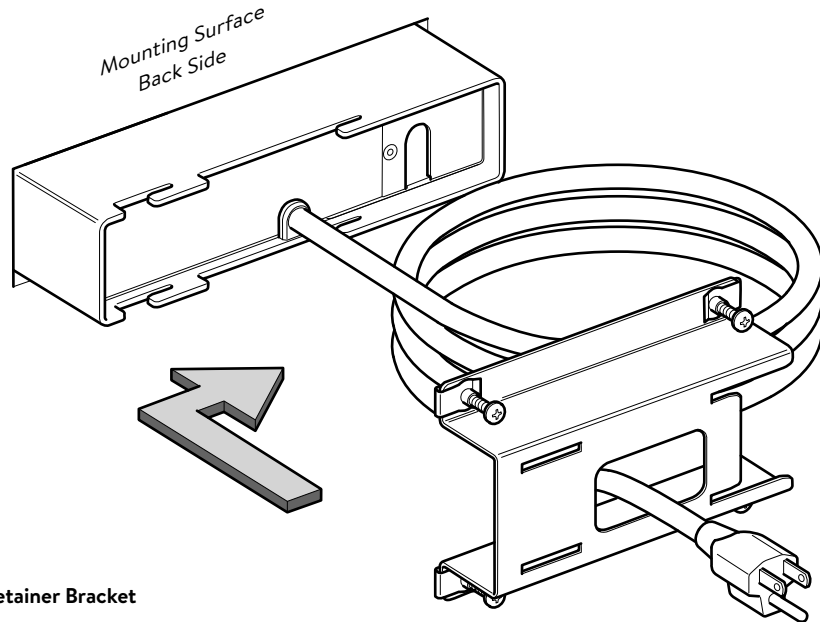
This device complies with part 15A of the FCC Rules. Operation is subject to the following two conditions: (1) This device may not cause harmful interference, and (2) this device must accept any interference received, including interference that may cause undesired operation.

Tools Required



5 Install Retainer Bracket

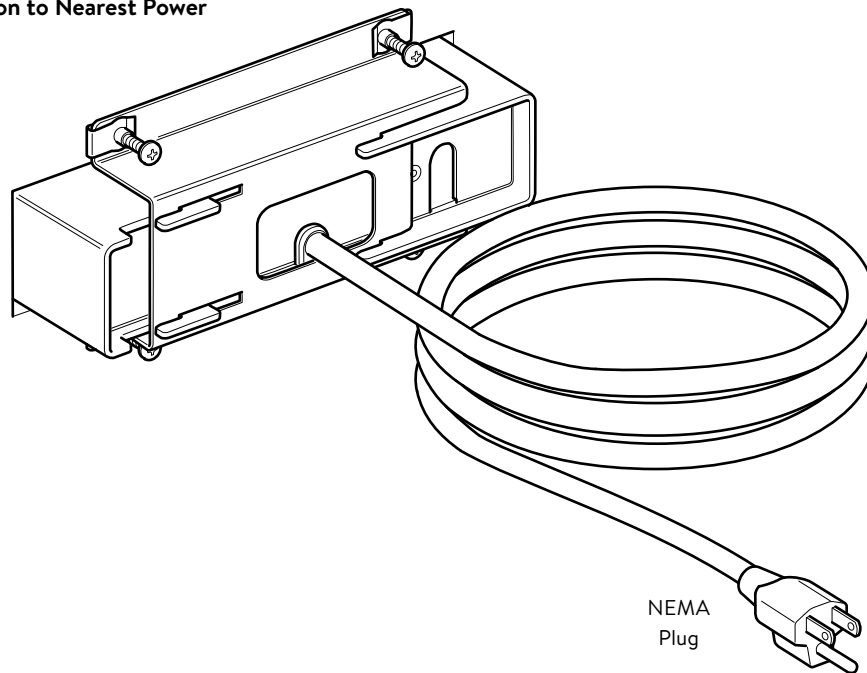
* Align Tabs on Bezel with Slots on Retainer Bracket and Slide Over and into Engaged Position *



*** NOTE ***
Route Power Cord Through Hole in Retainer Bracket

6 Route Power Cord Option to Nearest Power Distribution Source

* Tighten (4) Screws to Secure Unit to Worksurface *



ASHLEY TRIO BEZEL
- Corded -
Horizontal or Vertical Surface Mounting
Installation Instruction



2505 Dekko Drive
Garrett, IN 46738
Customer Service: 800.357.5622

This device complies with part 15A of the FCC Rules. Operation is subject to the following two conditions: (1) This device may not cause harmful interference, and (2) this device must accept any interference received, including interference that may cause undesired operation.

