

STUDIO

BY DEKKO 2505 Dekko Drive
Garrett, IN 46738
Customer Service: 800.357.5622

ASHLEY TRIO UNDER

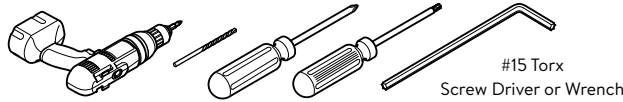
- Corded -

Under Worksurface Mounting

Installation Instruction

This device complies with part 15A of the FCC Rules. Operation is subject to the following two conditions: (1) This device may not cause harmful interference, and (2) this device must accept any interference received, including interference that may cause undesired operation.

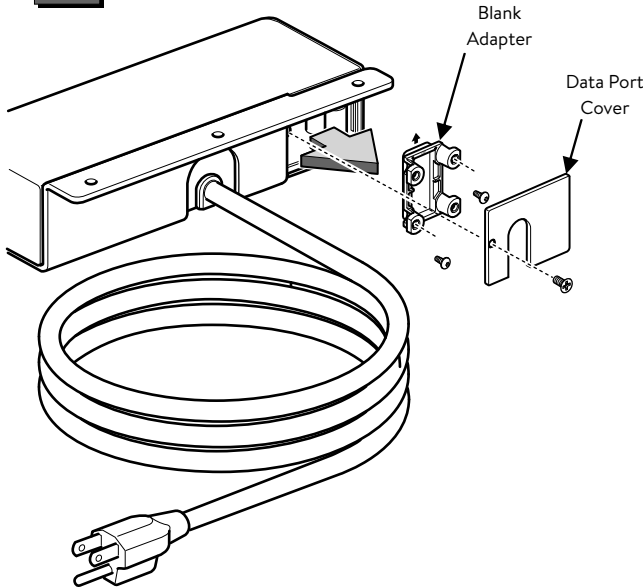
Tools Required



NOTE

All Tech Adapters Need to be Mounted in the
↑ "UP" ↑ Position. (Refer to the back of Parts)

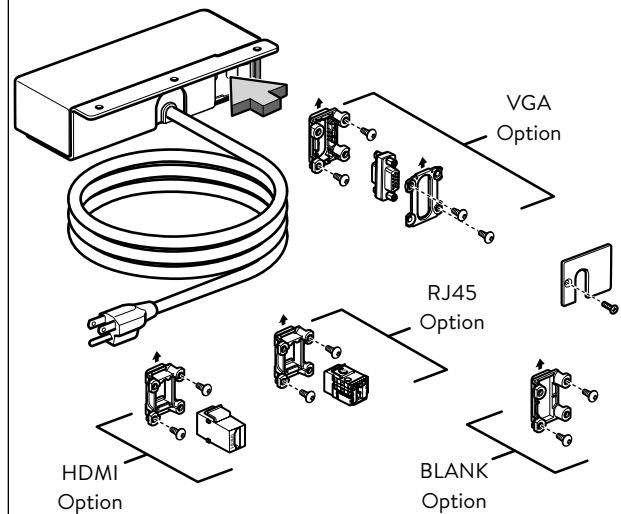
1 Remove Data Port Cover and Blank Adapter



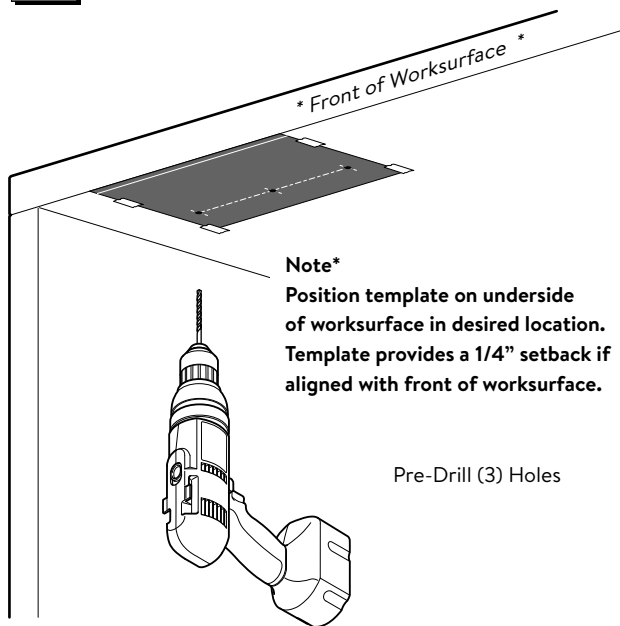
2 Install Data Port Option - (VGA, RJ45, HDMI, BLANK)

NOTE

See Sheet #2 for Detailed Instructions



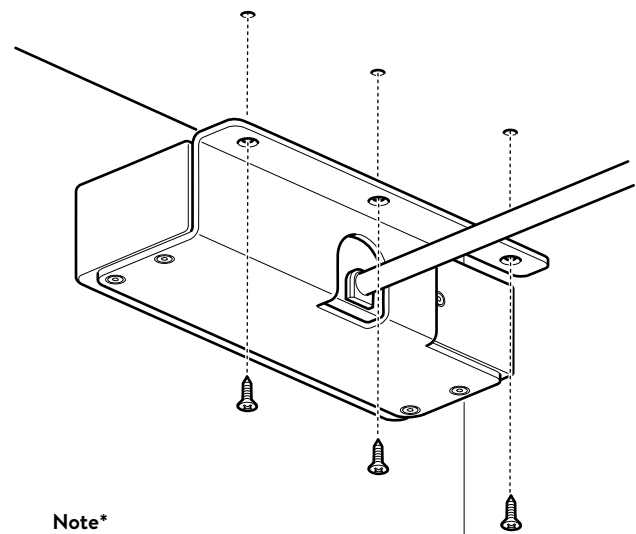
3 Place Template and Pre-Drill Holes



Note*
Position template on underside of work surface in desired location. Template provides a 1/4" setback if aligned with front of work surface.

Pre-Drill (3) Holes

4 Install Ashley Trio+ Under to Worksurface



Note*
Use (3) #6 x 1/2" Flat Head Wood Screws
RECOMMENDED BUT NOT SUPPLIED

E.C.N. No: GD17-002789

Part Number: G110053

Page Number: 1 of 4

Revision: D



2505 Dekko Drive
Garrett, IN 46738
Customer Service: 800.357.5622

ASHLEY TRIO UNDER

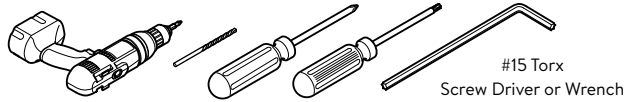
- Corded -

Under Worksurface Mounting

Installation Instruction

This device complies with part 15A of the FCC Rules. Operation is subject to the following two conditions: (1) This device may not cause harmful interference, and (2) this device must accept any interference received, including interference that may cause undesired operation.

Tools Required

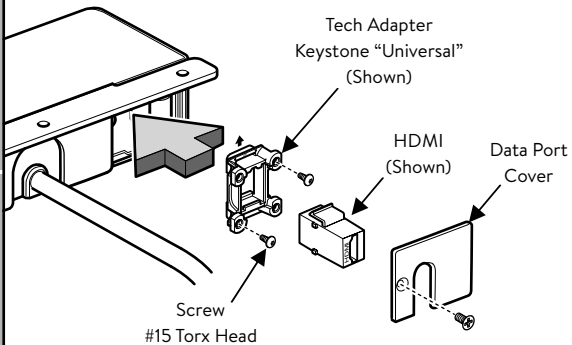


NOTE

All Tech Adapters Need to be Mounted in the **UP** Position. (Refer to the back of Parts)



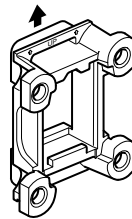
2.1 Install Data Tech Adapter Option



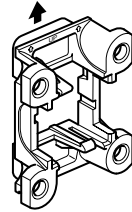
(Universal)

KEYSTONE

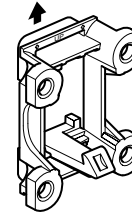
HDMI	Optical Cable Corp 5e
Tripp-Lite	Optical Cable Corp 6
Allen-Tel	Ortronics
AMP TE-Krone	Panduit NetKey
Belden KeyConnect	Hubbell Premise
Leviton Quick Port	Type F Coax
Leviton Quick Port Extreme	ETC. (ET. AL.)



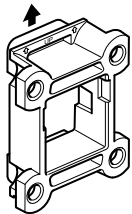
(Specific)
Belden EZ MDVO



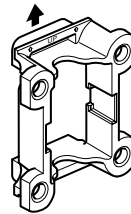
(Specific)
Panduit Mini-COM



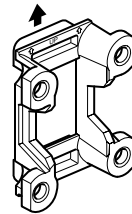
(Specific)
Commscope



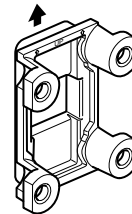
(Specific)
Ortronics TrackJack



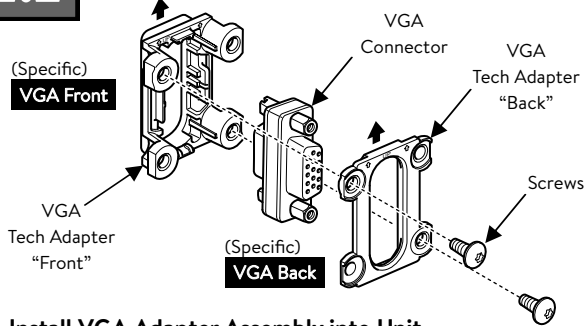
(Specific)
Siemon



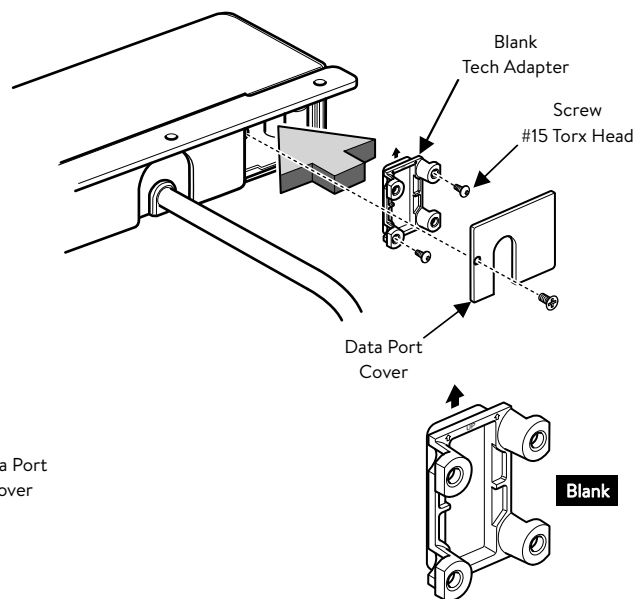
(Specific)
Cable Retainer



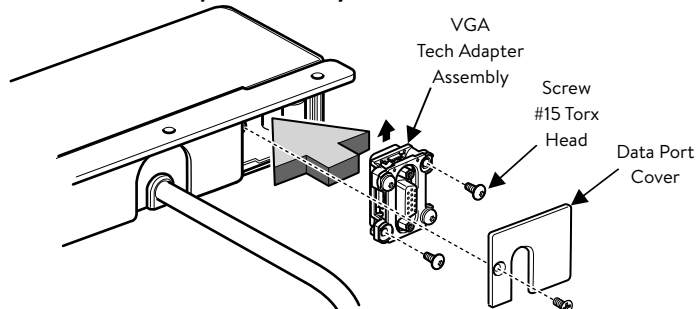
2.2 A Install VGA Connector to VGA Tech Adapters



2.3 Install Blank Tech Adapter Option



B Install VGA Adapter Assembly into Unit



E.C.N. No: GD17-002789

Part Number: G110053

Page Number: 2 of 4

Revision: D



2505 Dekko Drive
Garrett, IN 46738
Customer Service: 800.357.5622

ASHLEY TRIO UNDER

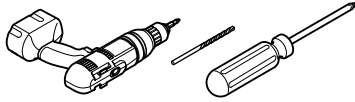
- Corded -

Under Worksurface Mounting

Installation Instruction

This device complies with part 15A of the FCC Rules. Operation is subject to the following two conditions: (1) This device may not cause harmful interference, and (2) this device must accept any interference received, including interference that may cause undesired operation.

Tools Required



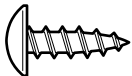
Screwdriver needed for optional power cord mounting clamps.



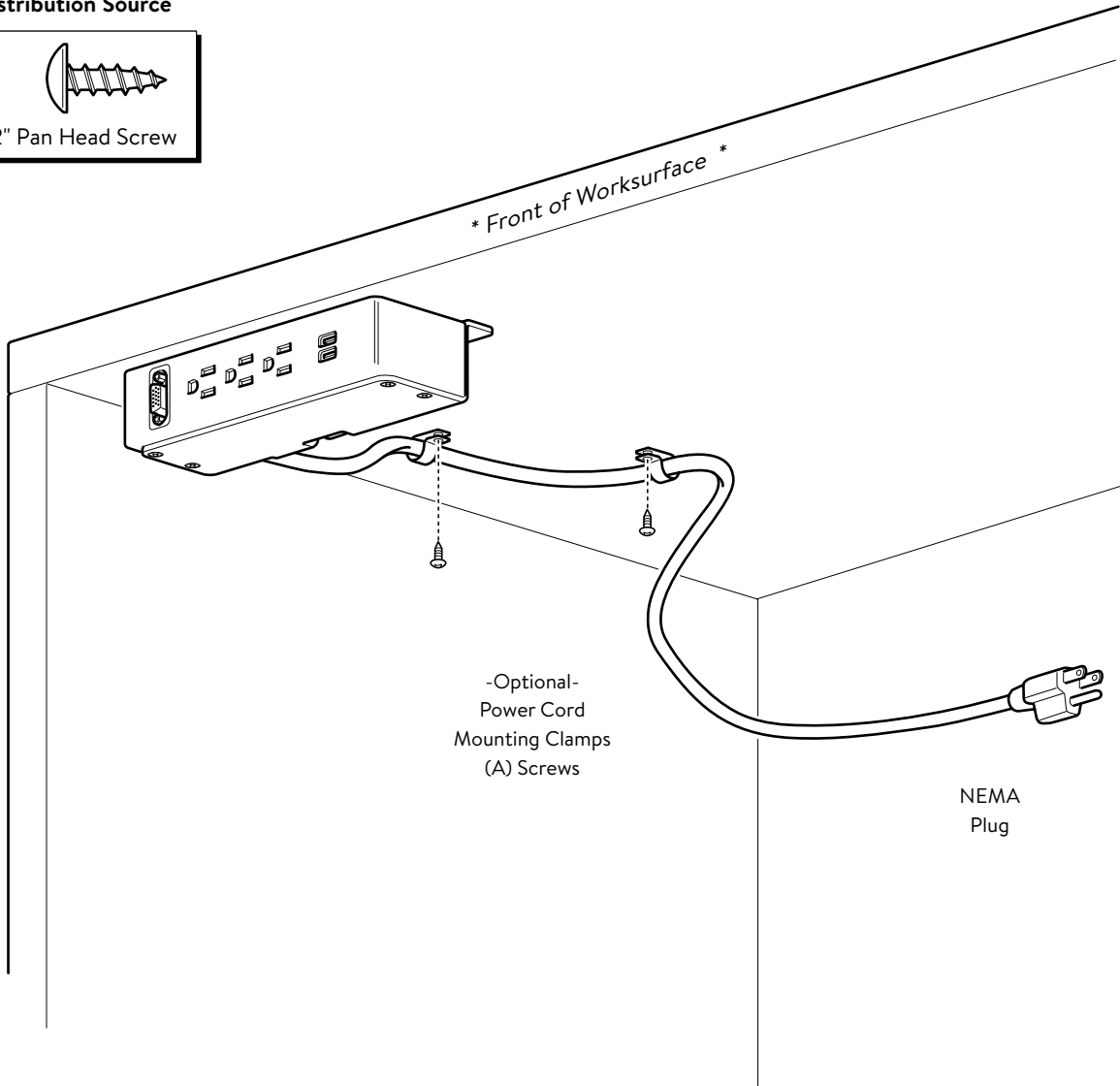
5

Route Power Cord Option to Nearest Power Distribution Source

(A)



#8 x 1/2" Pan Head Screw





2505 Dekko Drive
Garrett, IN 46738
Customer Service: 800.357.5622

ASHLEY TRIO UNDER

- Corded -

Under Worksurface Mounting

Installation Instruction

This device complies with part 15A of the FCC Rules. Operation is subject to the following two conditions: (1) This device may not cause harmful interference, and (2) this device must accept any interference received, including interference that may cause undesired operation.

