

STU
DIO

BY DEKKO

2505 Dekko Drive
Garrett, IN 46738
Customer Service: 800.357.5622

ASHLEY UNO UNDER

- Conduit -

Under Worksurface Mounting

Installation Instruction

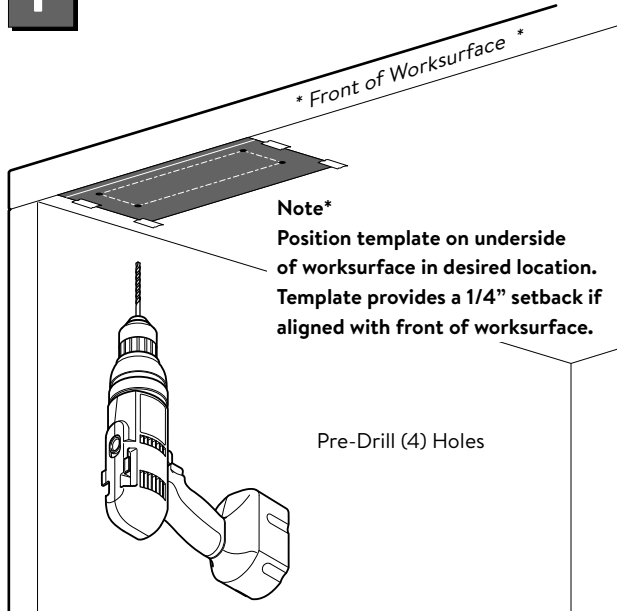
This device complies with part 15A of the FCC Rules. Operation is subject to the following two conditions: (1) This device may not cause harmful interference, and (2) this device must accept any interference received, including interference that may cause undesired operation.

Tools Required



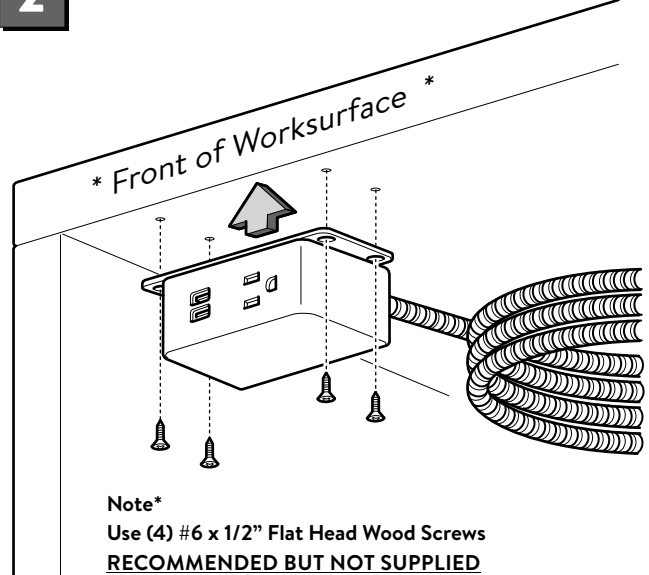
1

Place Template and Pre-Drill Holes



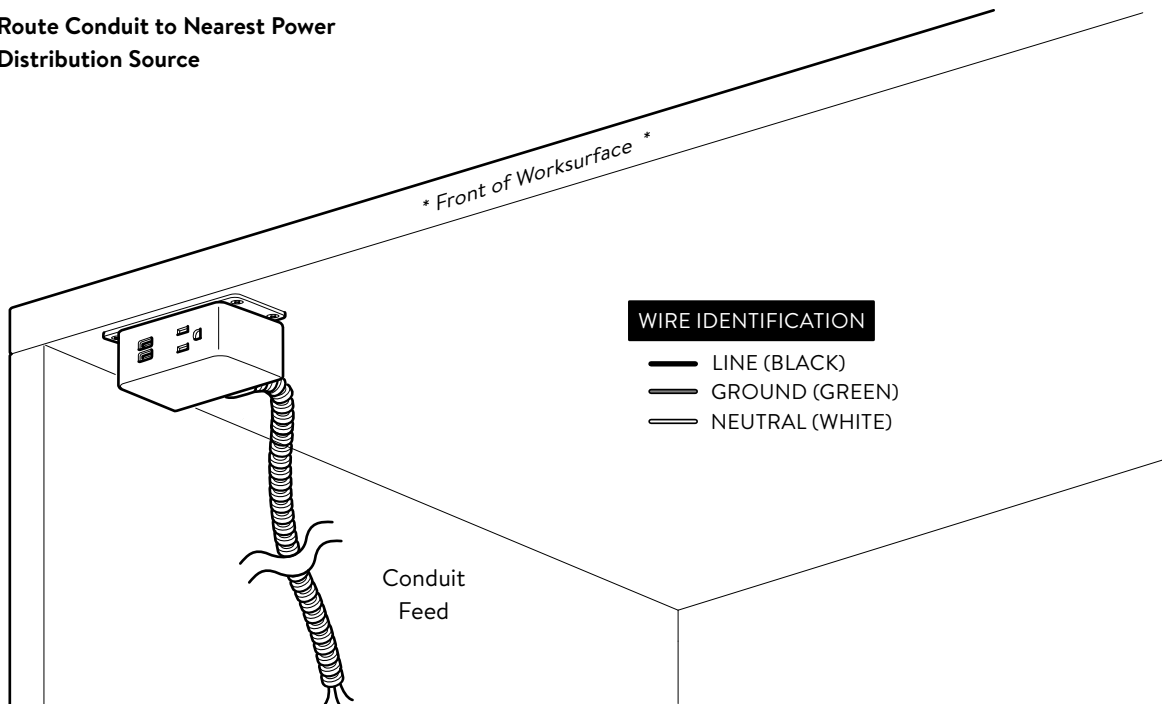
2

Install Ashley Uno Under to Worksurface



3

Route Conduit to Nearest Power Distribution Source



E.C.N. No: GD17-002964

Part Number: G110259

Page Number: 1 of 2

Revision: B .



2505 Dekko Drive
Garrett, IN 46738
Customer Service: 800.357.5622

ASHLEY UNO UNDER

- Conduit -

Under Worksurface Mounting
Installation Instruction Template

This device complies with part 15A of the FCC Rules. Operation is subject to the following two conditions: (1) This device may not cause harmful interference, and (2) this device must accept any interference received, including interference that may cause undesired operation.

