

STU
DIO

BY DEKKO

2505 Dekko Drive
Garrett, IN 46738
Customer Service: 800.357.5622

ASHLEY UNO UNDER

- Corded -

Under Worksurface Mounting Installation Instruction

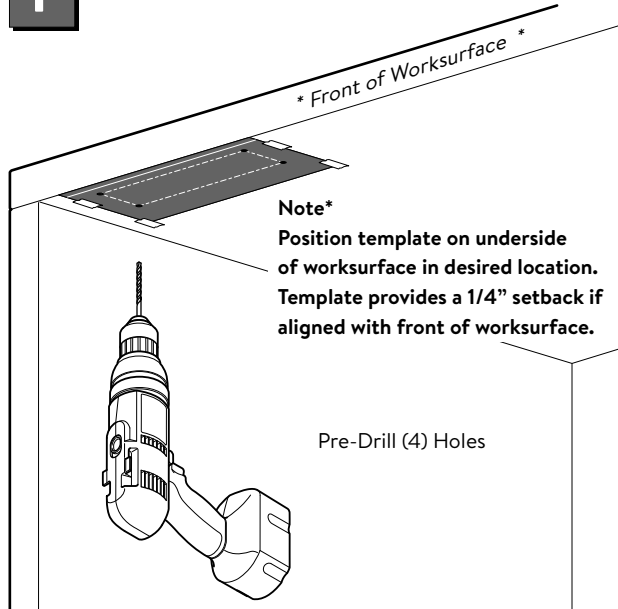
This device complies with part 15A of the FCC Rules. Operation is subject to the following two conditions: (1) This device may not cause harmful interference, and (2) this device must accept any interference received, including interference that may cause undesired operation.

Tools Required

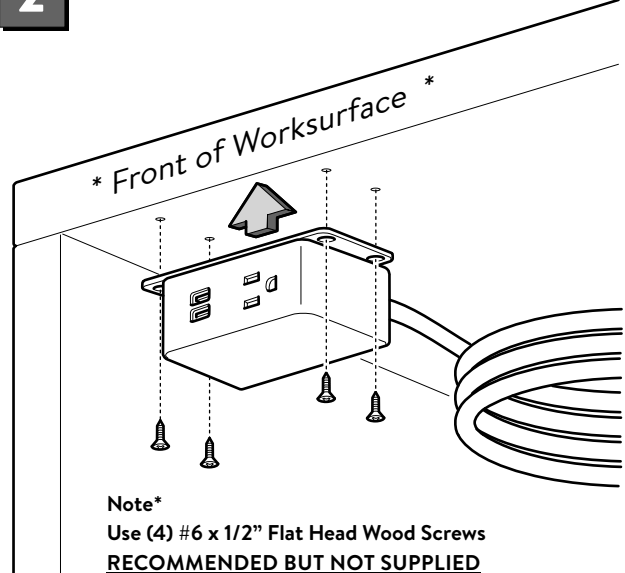


Screwdriver needed for optional power cord mounting clamps.

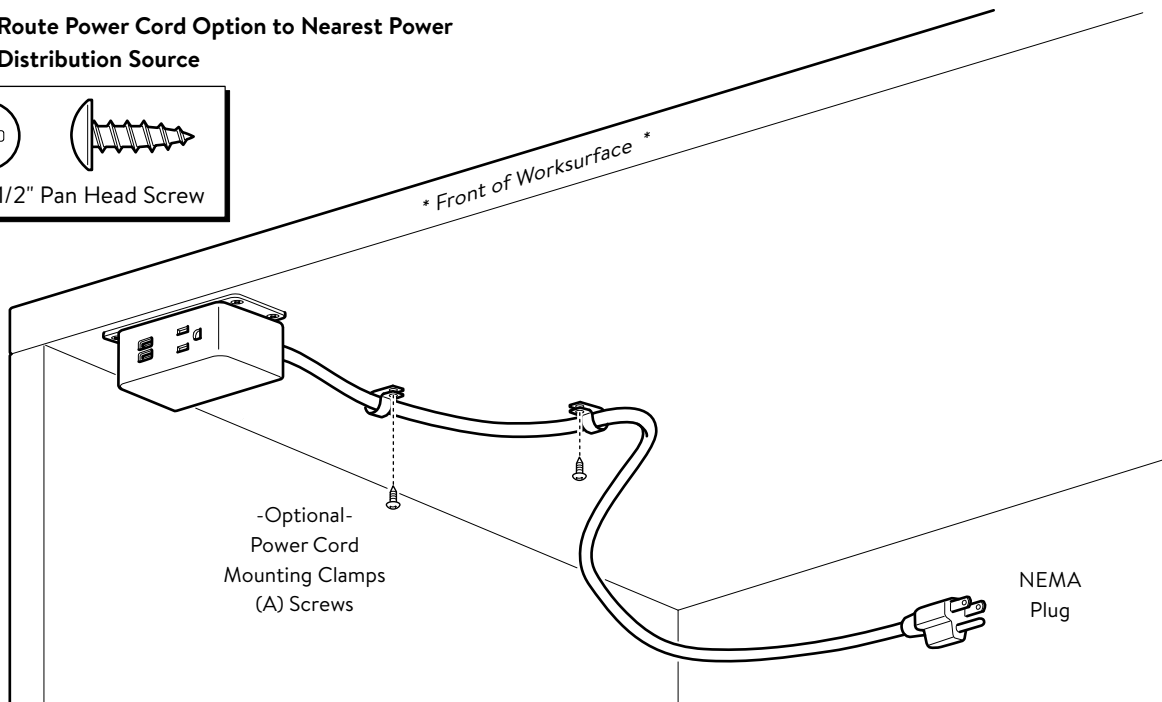
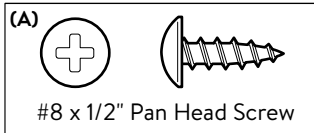
1 Place Template and Pre-Drill Holes



2 Install Ashley Uno Under to Worksurface



3 Route Power Cord Option to Nearest Power Distribution Source



E.C.N. No: GD17-002964

Part Number: G110210

Page Number: 1 of 2

Revision: B



2505 Dekko Drive
Garrett, IN 46738
Customer Service: 800.357.5622

ASHLEY UNO UNDER

- Corded -

Under Worksurface Mounting
Installation Instruction Template

This device complies with part 15A of the FCC Rules. Operation is subject to the following two conditions: (1) This device may not cause harmful interference, and (2) this device must accept any interference received, including interference that may cause undesired operation.

