

YOUR INNOVATIVE
ELECTRICAL SOLUTION.

Ashley 202™ Series



STU
DIO

BY DEKKO

Minimalist Detailing

MAKE A POWER STATEMENT

The sleek and stylish Ashley 202™ design offers finishes reflecting subtle, monochromatic elegance to bold custom colors. The Ashley Duo is completely integrated within a single-piece cover, eliminating dust and debris catching grooves and unsightly seams.



ASHLEY 202™ SERIES PROVIDES:

Power & Data Flexibility

The Ashley 202™ Series meets demanding power and data needs with flair and flexibility. The 202 features two AC outlets for high-power devices and two data inserts that include your choice of HDMI, RJ45, VGA, or blank insert.

The Ashley 202™, 202 Under and 202 Bezel all integrate AC outlets and data ports within a single-piece cover, resulting in fewer edge lines and a clean aesthetic. The Ashley 202™ Series give you the freedom to position the power unit where it's most accessible and looks best, whether it's embedded in a piece of furniture, on a vertical or horizontal surface, or discreetly mounted underneath.

The Ashley 202™ is offered in a clamp-on, under, and bezel mounting option and is UL 962A and 111 Listed.



ASHLEY 202™

FEATURES:

Applications

- Clamp-on
- Under-mount
- Bezel

Standard Metal Trim Finishes

- Silver 
- Black 
- White 

Standard Plastic Colors

- White 
- Grey 
- Black 
- Harvest Pumpkin 
- Neon Red 
- Blue Daisy 
- Light Green 

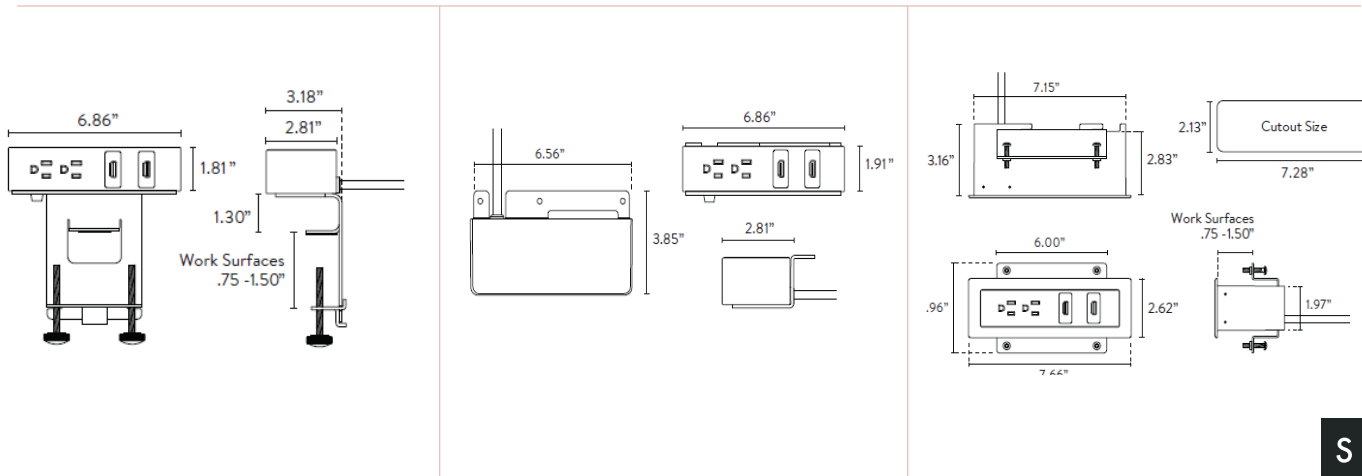


Specifications

- 2- 15A, 120V AC Power Outlets
- 2 Data Inserts for HDMI, RJ45, RJ11, VGA or Blank Insert
- 2 Data Port Adapter Kits Comes Standard - Data Port Insert Options: VGA, Siemon, Panduit mini-com, Commscope, Ortronics, Blank, Cable retainer, Belden EZ MDVO, Keystone
- 6' or 10' Cord or Hardwire Option
- UL 962A & UL 111 Listed
- UL 1310 Recognized
- Meets UL Spill Requirements
- Class 2, FCC Part 15 A Approved

Dimensions

- Ashley 202™ & 202 Bezel Standard Dimensions: 6.86" x 2.81" x 1.91"
- Ashley 202™ Bezel Standard Dimensions: 7.66" x 3.96" x 2.62"



BY DEKKO

DESCRIPTION

LENGTHS
CORDED & HARDWIRE

FINISH
PLASTIC FACE/METAL TRIM

MODEL

ASHLEY 202 - CLAMP MOUNT

DESCRIPTION	LENGTHS CORDED & HARDWIRE	FINISH PLASTIC FACE/METAL TRIM	MODEL
<ul style="list-style-type: none"> • 2 AC 15 Amp Power Outlets, 2 Data Knockouts with 2 Data Adapter Kits (connectors sold separately) 	6' Corded	Black/Black Gray/Silver White/Silver White/White	305093.01.04.06 305093.01.01.06 305093.01.57.06 305093.01.VW.06
	10' Corded	Black/Black Gray/Silver White/Silver White/White	305093.01.04.10 305093.01.01.10 305093.01.57.10 305093.01.VW.10
	6' Hardwire	Black/Black Gray/Silver White/Silver White/White	200061.01.04.06 200061.01.01.06 200061.01.57.06 200061.01.VW.06
	10' Hardwire	Black/Black Gray/Silver White/Silver White/White	200061.01.04.10 200061.01.01.10 200061.01.57.10 200061.01.VW.10

Data Port Insert Options: VGA, HDMI, Data, Blank Insert. See last page for all connector options. Please note: There is a cord length upcharge for models specified with 10' cord/hardwire lengths. See last page for instructions on how to specify units with specialty color finishes.

ASHLEY 202 - UNDER

<ul style="list-style-type: none"> • 2 AC 15 Amp Power Outlets, 2 Data Knockouts with 2 Data Adapter Kits (connectors sold separately) 	6' Corded	Black/Black Gray/Silver White/Silver White/White	305096.01.04.06 305096.01.01.06 305096.01.57.06 305096.01.VW.06
	10' Corded	Black/Black Gray/Silver White/Silver White/White	305096.01.04.10 305096.01.01.10 305096.01.57.10 305096.01.VW.10
	6' Hardwire	Black/Black Gray/Silver White/Silver White/White	200064.01.04.06 200064.01.01.06 200064.01.57.06 200064.01.VW.06
	10' Hardwire	Black/Black Gray/Silver White/Silver White/White	200064.01.04.10 200064.01.01.10 200064.01.57.10 200064.01.VW.10

Data Port Insert Options: VGA, HDMI, Data, Blank Insert. See last page for all connector options. Please note: There is a cord length upcharge for models specified with 10' cord/hardwire lengths. See last page for instructions on how to specify units with specialty color finishes.



BY DEKKO

DESCRIPTION	LENGTHS CORDED & HARDWIRE	FINISH PLASTIC FACE/METAL TRIM	MODEL
ASHLEY 202 - BEZEL			
<ul style="list-style-type: none"> 2 AC 15 Amp Power Outlets, 2 Data Knockouts with 2 Data Adapter Kits (connectors sold separately) 	6' Corded	Black/Black	305099.01.04.06
		Gray/Silver	305099.01.01.06
		White/Silver	305099.01.57.06
		White/White	305099.01.VW.06
	10' Corded	Black/Black	305099.01.04.10
		Gray/Silver	305099.01.01.10
		White/Silver	305099.01.57.10
		White/White	305099.01.VW.10
	6' Hardwire	Black/Black	200067.01.04.06
		Gray/Silver	200067.01.01.06
		White/Silver	200064.01.57.06
		White/White	200067.01.VW.06
10' Hardwire	Black/Black	200067.01.04.10	
	Gray/Silver	200067.01.01.10	
	White/Silver	200064.01.57.10	
	White/White	200067.01.VW.10	

Data Port Insert Options: VGA, HDMI, Data, Blank Insert. See last page for all connector options. Please note: There is a cord length upcharge for models specified with 10' cord/hardwire lengths. See below for instructions on how to specify units with specialty color finishes.

SPECIFICATION INSTRUCTIONS

TO ORDER PLEASE SPECIFY THE FOLLOWING

Step 1:	Step 2:	Step 3:
Base Model # (Part Number)	Finish Options	NEMA Plug or Hardwire Lengths

EXAMPLE

305050.01.57.06

Base Model: Ashley Duo
Finish Option: White/Silver
Cord Length: 6'

Code	Plastic Face/Metal Trim	Cord Color	Code	Cord Length
.04	Black/Black	Black	.06	6' or 72"
.02	Black/Silver	Black	.10	10' or 120"
.08	Gray/Black	Black		
.01	Gray/Silver	Black		
.05	Gray/White	Black		
.03	White/Black	White		
.57	White/Silver	White		
.VW	White/White	White		
.11	Blue Daisy/White	White		
.12	Blue Daisy/Silver	White		
.13	BlueDaisy/Black	Black		
.14	Light Green/White	White		
.15	Light Green/Silver	White		
.16	Light Green/Black	Black		
.17	Harvest Pumpkin/White	White		
.18	Harvest Pumpkin/Silver	White		
.19	Harvest Pumpkin/Black	Black		
.20	Neon Red/White	White		
.21	Neon Red/Silver	White		
.22	Neon Red/Black	Black		

Contact Salesperson For Additional Cord Options

CONNECTORS (A-H) COMPATIBLE WITH DATA ADAPTER KIT

DESCRIPTION	FINISH	MODEL
REPLACEMENT DATA ADAPTER KITS - NEW 8-PORT STYLE		
TO BE USED WITH DEKKO DATA PORT INSERT PROVIDED WITH ASHLEY 202, ASHLEY TRIO AND ASHLEY QUAD		
<ul style="list-style-type: none"> Single Kit - Ashley 8-port adapter kit with clamps 	Black	185110.1.04
	Gray	185110.1.55
	White	185110.1.57
<ul style="list-style-type: none"> Double Kit - Ashley 8-port adapter kit with clamps 	Black	185110.2.04
	Gray	185110.2.55
	White	185110.2.57
ADAPTER A - VGA		
<ul style="list-style-type: none"> 15-pin HD VGA, female/solder 15-pin HD VGA, female/female 15-pin HD VGA, male/female 15-pin HD VGA, male/male 15-pin HD VGA female panel mount with 60" male pigtail, includes female/female gender changer (install gender changer into data tree and plug in male pigtail - panel mount end will exit unit) 	N/A	VGA #3
	N/A	VGA #37
	N/A	VGA #43
	N/A	VGA #76
	N/A	#C51

ADAPTER B - COMMSCOPE

<ul style="list-style-type: none"> RJ45 Avaya Cat 6 female/punch down 	Black	RJ45-35
<ul style="list-style-type: none"> RJ11 Avaya Cat 3 female/punch down 	Black	RJ11-49
<ul style="list-style-type: none"> RJ11 Avaya Cat 3 female/punch down 	White	RJ11-98

ADAPTER C - ORTRONICS

<ul style="list-style-type: none"> RJ45 Ortronics Cat 6 female/punch down 	Black	RJ45-64
--	-------	---------

ADAPTER D - KEYSTONE

<ul style="list-style-type: none"> HDMI keystone female/female, Black 	Black	HDMI-KEY-B
<ul style="list-style-type: none"> HDMI keystone female/female, White 	White	HDMI-KEY-W
<ul style="list-style-type: none"> RJ45 AMP Cat 6 female/punch down, Black 	Black	RJ45-O
<ul style="list-style-type: none"> RJ11 AMP Cat 3 female/female, Black 	Black	RJ11-11
<ul style="list-style-type: none"> RJ45 AMP Cat 6 female/punch down, Orange 	Orange	RJ45-30
<ul style="list-style-type: none"> RJ11 AMP Cat 3 female/punch down, Black 	Black	RJ11-31
<ul style="list-style-type: none"> RJ45 Hubbell Cat 5E female/punchdown, Black 	Black	RJ45-46
<ul style="list-style-type: none"> RJ45 Allentell Cat 5E female/female, Black 	Black	RJ45-73
<ul style="list-style-type: none"> RJ45 Panduit Cat 6 Keystone female/punch down, Black 	Black	RJ45-74
<ul style="list-style-type: none"> RJ45 Leviton Cat 6 female/punch down, Black 	Black	RJ45-75
<ul style="list-style-type: none"> RJ11 Leviton Cat 3 female/punch down, Ivory 	Ivory	RJ11-C23
<ul style="list-style-type: none"> RJ45 Leviton Cat 6 female/punch down, Blue 	Blue	RJ45-C24
<ul style="list-style-type: none"> RJ11 Leviton Cat 3 female/punch down, Black 	Black	RJ11-C26
<ul style="list-style-type: none"> RJ45 Cat 6 Keystone female/female, Black 	Black	RJ45-C38
<ul style="list-style-type: none"> USB 3.0 Type A/A keystone female/female, White 	White	USB-30AA-W-72K
<ul style="list-style-type: none"> USB 2.0 Type A/A keystone female/female, Black 	Black	USB-KEY-20AA-B
<ul style="list-style-type: none"> USB 2.0 Type A/A keystone female/female, White 	White	USB-KEY-20AA-W

CONNECTORS (A-H)
COMPATIBLE WITH DATA ADAPTER KIT

DESCRIPTION	FINISH	MODEL
ADAPTER E - BELDEN		
<ul style="list-style-type: none"> No available connectors 	N/A	N/A
ADAPTER F - PANDUIT		
<ul style="list-style-type: none"> RJ45 Panduit Cat 6 female/punch down RJ45 Panduit Cat 6 female/punch down RJ45 Panduit Cat 5E female/punch down RJ45 Panduit Cat 6 female/punch down 	Black Yellow Red Blue	RJ45-Q RJ45-48 RJ45-55 RJ45-94
ADAPTER G - SIEMON		
<ul style="list-style-type: none"> RJ11 Siemon Cat 3 female/punch down, Black RJ45 Siemon Cat 6, female/punch down, Black RJ45 Siemon Cat 5E female/punch down, Black RJ45 Siemon Cat 6 female/punch down, Ivory RJ45 Siemon Cat 6 female/punch down, Red RJ45 Siemon Cat 5E Shielded female/punch down, Black RJ45 Siemon Cat 6 female/punch down, Blue RJ45 Siemon Cat 6 female/punch down, Orange RJ45 Siemon Cat 6 female/punch down, White RJ45 Siemon Cat 6 female/punch down, Gray RJ45 Siemon Cat 6 female/punch down, Yellow RJ45 Siemon Cat 6A female/punch down, Black RJ45 Siemon Cat 6 female/punch down, Green 	Black Black Black Ivory Red Black Blue Orange White Gray Yellow Black Green	RJ11-A RJ45-B RJ45-E RJ45-F RJ45-M RJ45-S RJ45-28 RJ45-29 RJ45-59 RJ45-60 RJ45-81 RJ45-C5 RJ45-C12
ADAPTER H - CABLE		
<ul style="list-style-type: none"> No available connectors 	N/A	N/A