

YOUR INNOVATIVE
ELECTRICAL SOLUTION.

Ashley Trio™ Series



STU
DIO

BY DEKKO

Amplified Power

POWER TO THE PEOPLE

Developed to bring a palpable charge to any space in the office, the Ashley Trio™ is ideal for organizations and people who collaborate wherever inspiration takes them. Make sure the devices needed to capture, transmit and record great ideas have the power and data support embedded in your creative havens.



ASHLEY TRIO™ SERIES PROVIDES:

Best-In-Class Power Combination

A pinnacle of power capacity, the Ashley Trio features three outlets that deliver AC power for high power devices, as well two innovative USB ports. Each USB port utilizes a Smart Device Recognition Chip to monitor and independently deliver the required amperage to your devices — up to 2.1 amps each — and charge them in half the time it takes with similar products on the market.

Building on the premium power offering, the Trio presents a space for your choice of HDMI, RJ45 and VGA ports to meet your data and A/V connection needs.

The Ashley Trio is available in clamp-on, under, and bezel mounting options and is UL 962A and UL 111 Listed.



FEATURES:

Applications

- Clamp-on
- Under-mount
- Bezel

Standard Metal Trim Finishes

- Silver 
- Black 
- White 

Standard Plastic Colors

- White 
- Grey 
- Black 
- Harvest Pumpkin 
- Neon Red 
- Blue Daisy 
- Light Green 

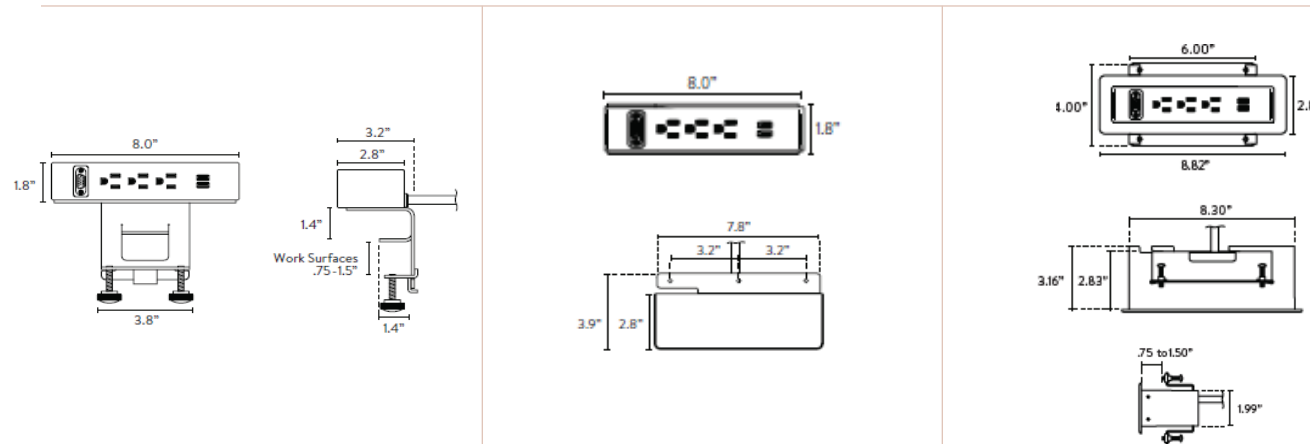


Specifications

- 3- 15A, 120V AC Power Outlets
- 2- 2.1A/10.5W USB Charging Ports
- 6' or 10' Cord or Hardwire Option
- 1 Data Insert for HDMI, RJ45 or VGA ports
- 1 Data Port Adapter Kit Comes Standard - Data Port Insert Options: VGA, Siemon, Panduit mini-com, Commscope, Ortronics, Blank, Cable retainer, Belden EZ MDVO, Keystone
- UL 962A and UL 111 Listed
- UL 1310 Recognized
- Meets UL Spill Requirements
- Class 2, FCC Part 15 A Approved
- Meets USB.org Battery Charging 1.2 Specifications

Dimensions

- Product lengths vary on configurations: 8", 8" (7.8" for Under Bracket), 8.82"



BY DEKKO

DESCRIPTION

LENGTHS
CORDED & HARDWIRE

FINISH
PLASTIC FACE/METAL TRIM

MODEL

ASHLEY TRIO - CLAMP MOUNT

DESCRIPTION	LENGTHS CORDED & HARDWIRE	FINISH PLASTIC FACE/METAL TRIM	MODEL
<ul style="list-style-type: none"> • 3 AC 15 Amp Power Outlets, 1 Data Knockout with data tree (connectors sold separately), and 2 USB 2.1 Amp Charging Ports 	6' Corded	Black/Black Gray/Silver White/Silver White/White	305053.01.04.06 305053.01.01.06 305053.01.57.06 305053.01.VW.06
	10' Corded	Black/Black Gray/Silver White/Silver White/White	305053.01.04.10 305053.01.01.10 305053.01.57.10 305053.01.VW.10
	6' Hardwire	Black/Black Gray/Silver White/Silver White/White	200040.01.04.06 200040.01.01.06 200040.01.57.06 200040.01.VW.06
	10' Hardwire	Black/Black Gray/Silver White/Silver White/White	200040.01.04.10 200040.01.01.10 200040.01.57.10 200040.01.VW.10

Data Port Insert Options: VGA, HDMI, Data, Blank Insert. See last page for all Connector options. Please note: There is a cord length upcharge for models specified with 10' cord/hardwire lengths. See last page for instructions on how to specify units with specialty colors finishes.

ASHLEY TRIO - UNDER

<ul style="list-style-type: none"> • 3 AC 15 Amp Power Outlets, 1 Data Knockout with data tree (connectors sold separately), and 2 USB 2.1 Amp Charging Ports 	6' Corded	Black/Black Gray/Silver White/Silver White/White	305054.01.04.06 305054.01.01.06 305054.01.57.06 305054.01.VW.06
	10' Corded	Black/Black Gray/Silver White/Silver White/White	305054.01.04.10 305054.01.01.10 305054.01.57.10 305054.01.VW.10
	6' Hardwire	Black/Black Gray/Silver White/Silver White/White	200041.01.04.06 200041.01.01.06 200041.01.57.06 200041.01.VW.06
	10' Hardwire	Black/Black Gray/Silver White/Silver White/White	200041.01.04.10 200041.01.01.10 200041.01.57.10 200041.01.VW.10

Data Port Insert Options: VGA, HDMI, Data, Blank Insert. See last page for all Connector options. Please note: There is a cord length upcharge for models specified with 10' cord/hardwire lengths. See last page for instructions on how to specify units with specialty colors finishes.



BY DEKKO

DESCRIPTION	LENGTHS CORDED & HARDWIRE	FINISH PLASTIC FACE/METAL TRIM	MODEL
ASHLEY TRIO - BEZEL			
<ul style="list-style-type: none"> 3 AC 15 Amp Power Outlets, 1 Data Knockout with data tree (connectors sold separately), and 2 USB 2.1 Amp Charging Ports 	6' Corded	Black/Black	305058.01.04.06
		Gray/Silver	305058.01.01.06
		White/Silver	305058.01.57.06
		White/White	305058.01.VW.06
	10' Corded	Black/Black	305058.01.04.10
		Gray/Silver	305058.01.01.10
		White/Silver	305058.01.57.10
		White/White	305058.01.VW.10
	6' Hardwire	Black/Black	200045.01.04.06
		Gray/Silver	200045.01.01.06
		White/Silver	200045.01.57.06
		White/White	200045.01.VW.06
10' Hardwire	Black/Black	200045.01.04.10	
	Gray/Silver	200045.01.01.10	
	White/Silver	200045.01.57.10	
	White/White	200045.01.VW.10	

Data Port Insert Options: VGA, HDMI, Data, Blank Insert. See last page for all Connector options.
Please note: There is a cord length upcharge for models specified with 10' cord/hardwire lengths.
See below for instructions on how to specify units with specialty colors finishes.

SPECIFICATION INSTRUCTIONS

TO ORDER PLEASE SPECIFY THE FOLLOWING

Step 1:	Step 2:	Step 3:
Base Model # (Part Number)	Finish Options	NEMA Plug or Hardwire Lengths

EXAMPLE

305058.01.57.06

Base Model: Ashley Duo
Finish Option: White/Silver
Cord Length: 6'

Code	Plastic Face/Metal Trim	Cord Color	Code	Cord Length
.04	Black/Black	Black	.06	6' or 72"
.02	Black/Silver	Black	.10	10' or 120"
.08	Gray/Black	Black		
.01	Gray/Silver	Black		
.05	Gray/White	Black		
.03	White/Black	White		
.57	White/Silver	White		
.VW	White/White	White		
.11	Blue Daisy/White	White		
.12	Blue Daisy/Silver	White		
.13	Blue Daisy/Black	Black		
.14	Light Green/White	White		
.15	Light Green/Silver	White		
.16	Light Green/Black	Black		
.17	Harvest Pumpkin/White	White		
.18	Harvest Pumpkin/Silver	White		
.19	Harvest Pumpkin/Black	Black		
.20	Neon Red/White	White		
.21	Neon Red/Silver	White		
.22	Neon Red/Black	Black		

Contact Salesperson For Additional Cord Options

CONNECTORS (A-H) COMPATIBLE WITH DATA ADAPTER KIT

DESCRIPTION	FINISH	MODEL
REPLACEMENT DATA TREES - NEW 8-PORT STYLE		
TO BE USED WITH DEKKO DATA PORT TREE INSERT PROVIDED WITH ASHLEY 202, ASHLEY TRIO AND ASHLEY QUAD		
<ul style="list-style-type: none"> Single Kit - Ashley 8-port adapter kit with clamps 	Black	185110.1.04
	Gray	185110.1.55
	White	185110.1.57
<ul style="list-style-type: none"> Double Kit - Ashley 8-port adapter kit with clamps 	Black	185110.2.04
	Gray	185110.2.55
	White	185110.2.57
ADAPTER A - VGA		
<ul style="list-style-type: none"> 15-pin HD VGA, female/solder 15-pin HD VGA, female/female 15-pin HD VGA, male/female 15-pin HD VGA, male/male 15-pin HD VGA female panel mount with 60" male pigtail, includes female/female gender changer (install gender changer into data tree and plug in male pigtail - panel mount end will exit unit) 	N/A	VGA #3
	N/A	VGA #37
	N/A	VGA #43
	N/A	VGA #76
	N/A	#C51
ADAPTER B - COMMSCOPE		
<ul style="list-style-type: none"> RJ45 Avaya Cat 6 female/punch down RJ11 Avaya Cat 3 female/punch down RJ11 Avaya Cat 3 female/punch down 	Black	RJ45-35
	Black	RJ11-49
	White	RJ11-98
ADAPTER C - ORTRONICS		
<ul style="list-style-type: none"> RJ45 Ortronics Cat 6 female/punch down 	Black	RJ45-64
ADAPTER D - KEYSTONE		
<ul style="list-style-type: none"> HDMI keystone female/female, Black HDMI keystone female/female, White RJ45 AMP Cat 6 female/punch down, Black RJ11 AMP Cat 3 female/female, Black RJ45 AMP Cat 6 female/punch down, Orange RJ11 AMP Cat 3 female/punch down, Black RJ45 Hubbell Cat 5E female/punchdown, Black RJ45 Allentell Cat 5E female/female, Black RJ45 Panduit Cat 6 Keystone female/punch down, Black RJ45 Leviton Cat 6 female/punch down, Black RJ11 Leviton Cat 3 female/punch down, Ivory RJ45 Leviton Cat 6 female/punch down, Blue RJ11 Leviton Cat 3 female/punch down, Black RJ45 Cat 6 Keystone female/female, Black USB 3.0 Type A/A keystone female/female, White USB 2.0 Type A/A keystone female/female, Black USB 2.0 Type A/A keystone female/female, White 	Black	HDMI-KEY-B
	White	HDMI-KEY-W
	Black	RJ45-O
	Black	RJ11-11
	Orange	RJ45-30
	Black	RJ11-31
	Black	RJ45-46
	Black	RJ45-73
	Black	RJ45-74
	Black	RJ45-75
	Ivory	RJ11-C23
	Blue	RJ45-C24
	Black	RJ11-C26
	Black	RJ45-C38
	White	USB-30AA-W-72K
	Black	USB-KEY-20AA-B
White	USB-KEY-20AA-W	



CONNECTORS (A-H)
COMPATIBLE WITH DATA ADAPTER KIT

DESCRIPTION	FINISH	MODEL
ADAPTER E - BELDEN		
<ul style="list-style-type: none"> No available connectors 	N/A	N/A
ADAPTER F - PANDUIT		
<ul style="list-style-type: none"> RJ45 Panduit Cat 6 female/punch down RJ45 Panduit Cat 6 female/punch down RJ45 Panduit Cat 5E female/punch down RJ45 Panduit Cat 6 female/punch down 	Black Yellow Red Blue	RJ45-Q RJ45-48 RJ45-55 RJ45-94
ADAPTER G - SIEMON		
<ul style="list-style-type: none"> RJ11 Siemon Cat 3 female/punch down, Black RJ45 Siemon Cat 6, female/punch down, Black RJ45 Siemon Cat 5E female/punch down, Black RJ45 Siemon Cat 6 female/punch down, Ivory RJ45 Siemon Cat 6 female/punch down, Red RJ45 Siemon Cat 5E Shielded female/punch down, Black RJ45 Siemon Cat 6 female/punch down, Blue RJ45 Siemon Cat 6 female/punch down, Orange RJ45 Siemon Cat 6 female/punch down, White RJ45 Siemon Cat 6 female/punch down, Gray RJ45 Siemon Cat 6 female/punch down, Yellow RJ45 Siemon Cat 6A female/punch down, Black RJ45 Siemon Cat 6 female/punch down, Green 	Black Black Black Ivory Red Black Blue Orange White Gray Yellow Black Green	RJ11-A RJ45-B RJ45-E RJ45-F RJ45-M RJ45-S RJ45-28 RJ45-29 RJ45-59 RJ45-60 RJ45-81 RJ45-C5 RJ45-C12
ADAPTER H - CABLE		
<ul style="list-style-type: none"> No available connectors 	N/A	N/A