



DATA POWER PAK

ELECTRI-PAK SOLUTION



**POWER
THAT
MOVES
WITH YOU.**



UNDER-MOUNT POWER SOLUTION

The Data Power Pak can be configured to accommodate any of the ECA Electri-Pak wiring systems, including our 8 wire 3 circuit or 8 wire 4 circuit systems. Power configurations include 3 or 4 receptacles that can be configured as a multi-or single circuit configuration. Two cutouts are provided to house telecom plates which can be customized around your specific needs. Interconnecting cables and power infeeds are available in a variety of lengths. Contact ECA for help in specifying this product in your next project.



DATA POWER PAK

FEATURES:

Applications

Under
Benching systems

Standard Finishes

Black

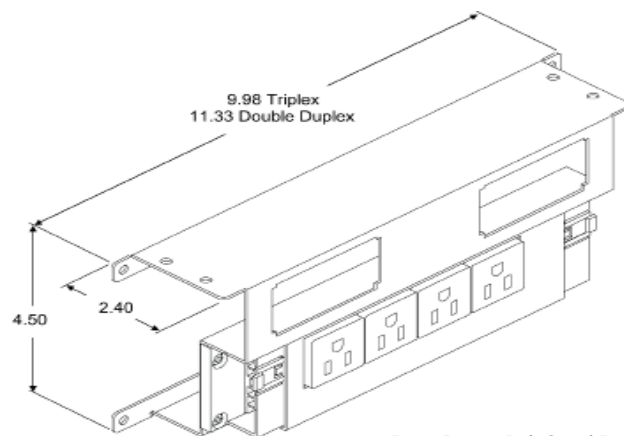


Specifications

- Functions with Electri-Pak 8 Wire 3 Circuit or 8 Wire 4 Circuit Systems
- Triplex and Quad Power Blocks - *Single-Sided Only*
- 3 or 4 - 15A/120V AC Simplex Receptacles (Receptacles are Configurable based on Circuit Requirements)
- 120V Controlled Circuit Simplex Receptacle Options Available
- 2 Telecom Plate Knockouts - Fully Customizable (*Purchased Separately*)
- Constructed of Black Powder-Coated Steel
- Controlled Circuit Simplex Receptacles Comply with Ashrae 90.1 & Title 24 Energy Efficiency Regulations

Dimensions

- Triplex Standard Dimensions: 9.98" x 2.40" x 4.50"
- Double Duplex Dimensions: 11.33" x 2.40" x 4.50"



Data Power Pak Quad Power Module with Telecom Plate Cutouts Shown

DESCRIPTION

FINISH

PART NUMBER

Data Power Pak - 8 Wire 3 Circuit

- Single-Circuit - 1 Triplex Power Module with 3 Circuit 1 receptacles and 2 telecom plate knockouts
- Multi-Circuit - 1 Triplex Power Module with Circuit 1, 2 and IG receptacles and 2 telecom plate knockouts
- Single-Circuit - 1 Double Duplex Power Module with 4 Circuit 1 receptacles and 2 telecom plate knockouts
- Multi-Circuit - 1 Double Duplex Power Module with 2 Circuit 1, 1 Circuit 2, and 1 IG receptacles and 2 telecom plate knockouts

Black

83 DPP 001

Black

83 DPP

Black

834 DPP 1111

Black

834 DPP 01

Data Power Pak - 8 Wire 4 Circuit

- 1 Triplex Power Module with 3 Circuit 1 receptacles and 2 telecom plate knockouts
- 1 Triplex Power Module with Circuit 1, 2 and IG receptacles and 2 telecom plate knockouts
- 1 Double Duplex Power Module with 4 Circuit 1 receptacles and 2 telecom plate knockouts
- 1 Double Duplex Power Module with 1 Circuit 1, 2,3 and 4 receptacles and 2 telecom plate knockouts
- 1 Double Duplex Power Module with Controlled Circuits 1 and 2 receptacles, 1 IG receptacle, and 1 Circuit 4 receptacle and 2 telecom plate knockouts
- 1 Double Duplex Power Module with Controlled Circuits 2 and 4 receptacles, 1 IG receptacle, and 1 Circuit 1 receptacle and 2 telecom plate knockouts
- 1 Double Duplex Power Module with Controlled Circuits 1 and 4 receptacles, 1 IG receptacle, and 1 Circuit 2 receptacle and 2 telecom plate knockouts
- 1 Double Duplex Power Module with Controlled Circuits 3 and 4 receptacles, and 1 Circuit 2 and 2 receptacles and 2 telecom plate knockouts

Black

84 DPP 01

Black

84 DPP

Black

844 DPP 01

Black

844 DPP

Black

844DPP1CC2CCG4

Black

844DPP12CCG4CC

Black

844DPP1CC2G4CC

Black

844DPP123CC4CC

Telecom plates sold separately.
See Electri-Pak Literature for Additional Component Details.