



INTERACT JR.



DESKTOP POWER WITH A FLIP

DISCREET & COMPACT POWER SOLUTION

The Interact Jr. is a flip-up unit which provides access to 2 power receptacles and 2 data or phone connectors. Power and data is accessed by lifting the lid and can be hidden from use when closed. The Interact Jr. is constructed of durable powder-coated steel making it ideal for even the most demanding environments.



INTERACT JR.

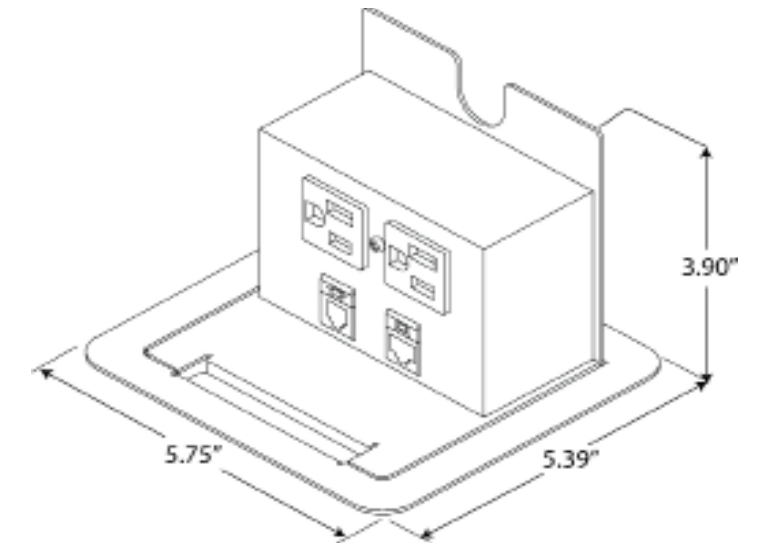
FEATURES:

Applications

Bezel / In-surface

Standard Finishes

Black



Specifications

- 2 - 15A/120V AC Power Receptacles
- 2 Data Knockouts for RJ45 Cat 6 Data or RJ11 Cat 3 Phone
- Corded & Hardwired Options
- Standard Cord and Hardwire Whip Length: 72"
- Recommended Table Thickness: 1" - 1.375"
- Recommended Table Cutout: 4.625" x 4.3125"
- UL Listed for US and Canada
- CSA Certified

Dimensions

- Interact Jr. Standard Dimensions : 5.75" x 5.39" x 3.90"

DESCRIPTION

FINISH

PART NUMBER

Interact Jr. - Corded

- | DESCRIPTION | FINISH | PART NUMBER |
|--|--------|-----------------|
| • 2 Power, 2 Stuffer Caps 72" Molded Plug | Black | INTERACT JR 019 |
| • 2 Power, 2 RJ45 Cat 6 Data, 72" Molded Plug | Black | INTERACT JR BB |
| • 2 Power, 1 RJ11 Cat 3 Phone and 1 RJ45 Cat 6 Data, 72" Molded Plug | Black | INTERACT JR AB |

Interact Jr. - Hardwired

- | | | |
|---|-------|-----------------|
| • 2 Power, 2 RJ45 Cat 6 data, 72" Hardwired | Black | INTERACT JR 071 |
|---|-------|-----------------|

