



INTERCEPT™



POP-UP YOUR POWER



ONE-TOUCH POP-UP POWER SOLUTION

Pop your power up with Intercept. Packed with power and data capability, its unique design is concealed beneath the work surface. With a simple press of the lid, the power source is lifted to the table surface. Intercept is a square unit with eight power receptacles and four telecom plate cutouts that provide easy accessibility to power and data from all angles. Match the table veneer from your personal wood top surface by fabricating a make-shift lid out of the table cut out. Not your speed? We've got decorative lids available too. The motorized version utilizes a switch box to open and close the unit, or it can be integrated into a touch panel system.



INTERCEPT™ - CORDED & HARDWIRED



FEATURES:

Applications

Bezel / In-surface
 Conferencing/Meeting Applications

Standard Finishes

Black

Standard Top Finishes

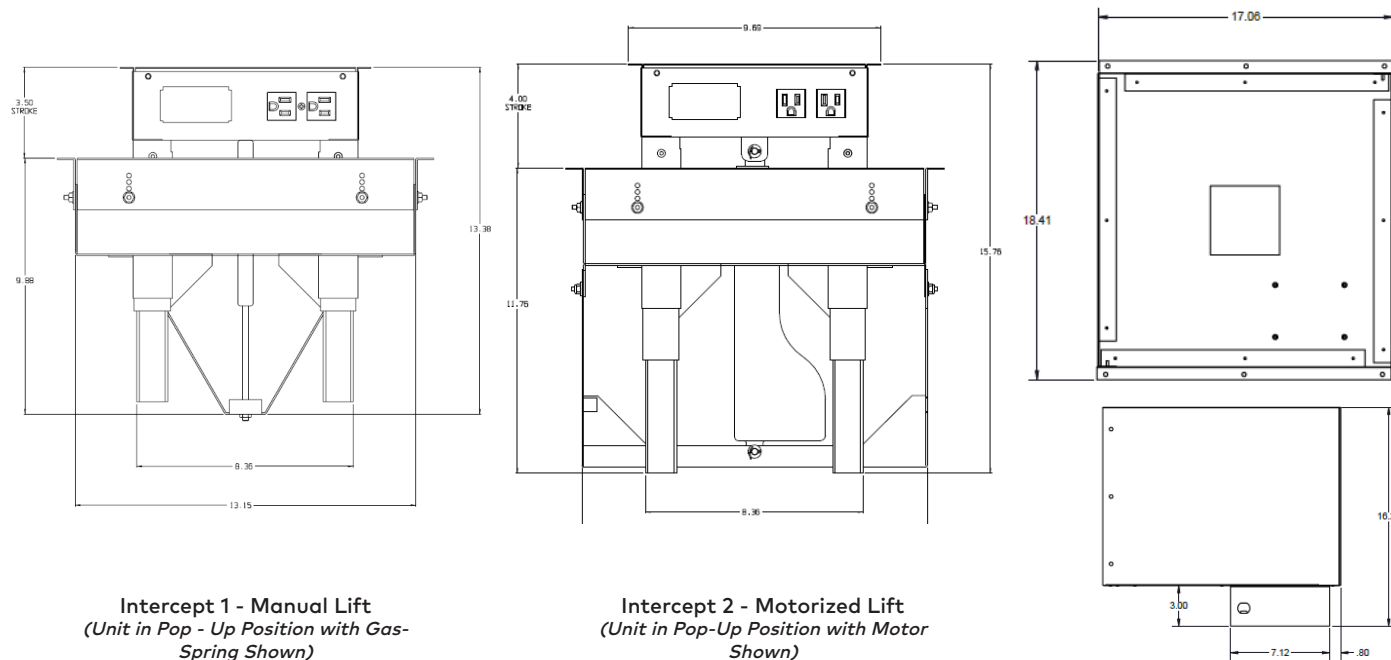
Black
 Brushed Stainless Steel

Specifications

- 8 - 15A/120V AC Power Receptacles
- 15A Circuit Breaker
- 4 Telecom Plate Knockouts - Fully Customizable (*Purchased Separately*)
- Corded and Hardwired Options
- Standard Cord and Hardwire Whip Length: 72"
- Manual (*Intercept 1*) or Motorized (*Intercept 2*) Versions
- Switch Box For Motorized Version (*Intercept 2 Only*)
- Optional Accessories: Trim Kit, Top/Lid & Out Pan (*Used for Concealing Unit Above and Below Surface*)
- Includes Brush Trim Cut for Easy Installation
- Recommended Table Thickness: .656" - 1.625"
- Recommended Table Cutout: 13.125" x 13.125"
- UL Listed for US and Canada (*Intercept 2 Only*)
- CSA Certified (*Intercept 1 Only*)

Dimensions

- Intercept 1 & 2 Overall Dimensions : 14.53" L x 14.53" W
- Intercept 1 in Pop-Up Position Dimensions: 3.50" H
- Intercept 2 in Pop-Up Position Dimensions: 4" H
- Standard Outerpan Dimensions: 18.41" L x 17.06" W



Intercept 1 - Manual Lift
 (Unit in Pop - Up Position with Gas-Spring Shown)

Intercept 2 - Motorized Lift
 (Unit in Pop-Up Position with Motor Shown)

DESCRIPTION

FINISH

PART NUMBER

Intercept™ 1 - Corded & Hardwired

- Gas Spring Manual Lift, 8 Power Receptacles and Cutouts for 4 Telecom Plates 72" Cord Black INTERCEPT 1 SC
- Gas Spring Manual Lift, 8 Power Receptacles and Cutouts for 4 Telecom Plates 72" Hardwired Black INTERCEPT 1 HW

Intercept™ 2 - Corded & Hardwired

- Motorized Lift with Switch Box, 8 Power Receptacles and Cutouts for 4 Telecom Plates, 72" Cord. Outer Pan Included Black INTERCEPT 2 SC
- Motorized Lift with Switch Box, 8 Power Receptacles and Cutouts for 4 Telecom Plates, 72" Hardwired. Outer Pan Included Black INTERCEPT 2 HW

Accessories

- Trim Kit, Bezel with Wire Management Brush to Trim the Cutout Black AK 99
Brushed Stainless Steel AK 99 SS
- Intercept Top/Lid Black INTERCEPT TOP BL
Brushed Stainless Steel INTERCEPT TOP SS
- Outer Pan for Concealing Unit when not Installed in a Pedestal Black INTERCEPT OP

Replacement Parts - Intercept 2 Only

- Switch Box for Intercept 2 Black INTERCPT 2 SWITCH

PART NUMBER KEY:

INTERCEPT 1— Gas Spring Manual Lift
 INTERCEPT 2— Motorized Lift