



INTERFACE II TT



INTERFACE II TT (TABLE-TOP)



DOING DOUBLE- DUTY



BACK-TO-BACK COLLABORATIVE POWER

Interface II TT provides double the power and data compared to any of its Interface relatives, dominating any tabletop application for fully-loaded accommodations. Totalling eight power receptacles and eight cutouts for customizable telecom plates, an optional convenience receptacle on the underside of the unit adds extra utility power for stationary items like desk lighting. Standardly equipped with a two lid grommet allows easy access from both sides of the conference table. For precautionary measures, the unit also contains two drain holes in case accidental spills into the units cavity occur.

FEATURES:

Applications

Bezel / In-surface
Conferencing/Meeting Applications

Standard Finishes

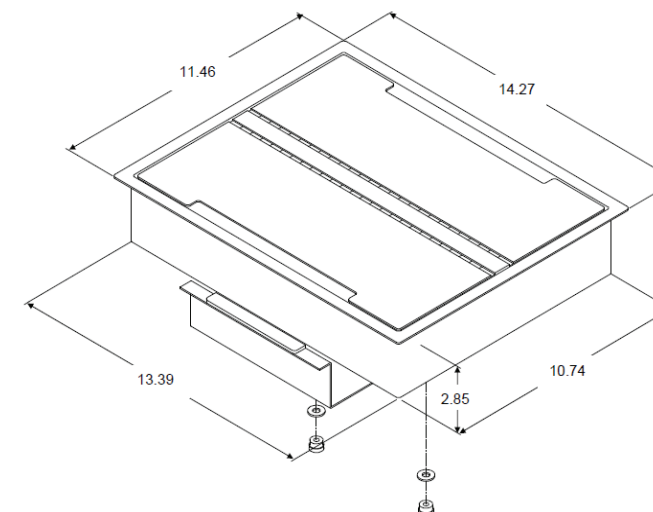
- Silver Pearl
- Black
- Brushed Aluminum
- Brushed Stainless Steel

Specifications

- 8 - 15A, 120V AC Power Receptacles
- 15A Circuit Breaker
- 1 Convenience Outlet *(Available on Select Models)*
- 8 Telecom Plate Knockouts - Fully Customizable *(Purchased Separately)*
- Corded & Hardwired Options
- Standard Cord and Hardwired Whip Lengths: 72", 144", 180"
- Recommended Table Thickness: 0.87" - 2"
- Recommended Table Cutout: 13.625" x 10.937"
- UL Listed for US and Canada *(Corded Versions Only)*
- CSA Certified

Dimensions

- Overall Interface II TT Dimensions : 14.27" L x 11.46" W x 2.85" D



Interface II TT Closed-Lid Shown



DESCRIPTION	FINISH	PART NUMBER
Interface II TT - Corded		
• Double Sided Tabletop Unit with 8 Power Receptacles, 15 AMP Circuit breaker and 8 Telecom Plate Knockouts - 72" Cord	Black Silver Pearl Brushed Aluminum Brushed Stainless Steel	INTRFC II TT SC INTRFC II TT CS INTRFC II TT-ALSC INTRFC II TT-SSSC
• Double Sided Tabletop Unit with 8 Power Receptacles, 15 AMP Circuit breaker and 8 Telecom Plate Knockouts - 108" Cord	Black Silver Pearl Brushed Aluminum Brushed Stainless Steel	INTRFC II TT 06 INTRFC II TT 32 INTRFC II TTAL01 INTRFC II TT SS01
• Double Sided Tabletop Unit with 8 Power Receptacles, 15 AMP Circuit breaker and 8 Telecom Plate Knockouts - 144" Cord	Black Silver Pearl Brushed Aluminum Brushed Stainless Steel	INTRFC II TT 12 INTRFC II TT 33 INTRFC II TTAL02 INTRFC II TT 25
• Double Sided Tabletop Unit with 8 Power Receptacles, 15 AMP Circuit breaker and 8 Telecom Plate Knockouts - 180" Cord	Black Silver Pearl Brushed Aluminum Brushed Stainless Steel	INT-II-TT-B180 INT-II-TT-SP180 INT-II-TT-AL180 INT-II-TT-SS180
• Double Sided Tabletop Unit with 8 Power Receptacles, 15 AMP Circuit breaker and 8 Telecom Plate Knockouts with convenience receptacle and underside of unit - 72" Cord	Black Silver Pearl Brushed Aluminum Brushed Stainless Steel	INTRFC II TT DC INT-II-TTSPDC72 INTRFC II TTALDC INTRFC II TT 04
• Double Sided Tabletop Unit with 8 Power Receptacles, 15 AMP Circuit breaker and 8 Telecom Plate Knockouts with convenience receptacle and underside of unit - 108" Cord	Black Silver Pearl Brushed Aluminum Brushed Stainless Steel	INTRFC II TTDC1 INTRFC II TT DC2 INTIITTDICAL108 INTIITTSDDC108
• Double Sided Tabletop Unit with 8 Power Receptacles, 15 AMP Circuit breaker and 8 Telecom Plate Knockouts with convenience receptacle and underside of unit - 144" Cord	Black Silver Pearl Brushed Aluminum Brushed Stainless Steel	INT-II-TTBDC144 INT-IITTSPDC144 INTIITTDICAL144 INTIITTSDDC144
• Double Sided Tabletop Unit with 8 Power Receptacles, 15 AMP Circuit breaker and 8 Telecom Plate Knockouts with convenience receptacle and underside of unit - 180" Cord	Black Silver Pearl Brushed Aluminum Brushed Stainless Steel	INT-II-TTBDC180 INT-IITTSPDC180 INTIITTDICAL180 INTIITTSDDC180

DESCRIPTION	FINISH	PART NUMBER
Interface II TT - Hardwire		
• Double Sided Tabletop Unit with 8 Power Receptacles, 15 AMP Circuit breaker and 8 Telecom Plate Knockouts - 72" Hardwire	Black Silver Pearl Brushed Aluminum Brushed Stainless Steel	INTRFC II TT HW INTRFC II TT HW6 INTRFC II TTAL03 INTRFC II TT-SSHW
• Double Sided Tabletop Unit with 8 Power Receptacles, 15 AMP Circuit breaker and 8 Telecom Plate Knockouts - 108" Hardwire	Black Silver Pearl Brushed Aluminum Brushed Stainless Steel	INTRFC II TTHW4 INTRFC II TT HW7 INTRFC II TTAL04 INTRFC II TT SS02
• Double Sided Tabletop Unit with 8 Power Receptacles, 15 AMP Circuit breaker and 8 Telecom Plate Knockouts - 144" Hardwire	Black Silver Pearl Brushed Aluminum Brushed Stainless Steel	INTRFC II TTHW5 INTRFC II TT HW8 INTRFC II TTAL05 INTRFC II TT SS03
• Double Sided Tabletop Unit with 8 Power Receptacles, 15 AMP Circuit breaker and 8 Telecom Plate Knockouts - 180" Hardwire	Black Silver Pearl Brushed Aluminum Brushed Stainless Steel	INT-IITTBHW180 INT-IITTSPhw180 INT-IITTALHW180 INT-IITTSshw180
• Double Sided Tabletop Unit with 8 Power Receptacles, 15 AMP Circuit breaker and 8 Telecom Plate Knockouts with convenience receptacle and underside of unit - 72" Hardwire	Black Silver Pearl Brushed Aluminum Brushed Stainless Steel	INTRFC2 TTHWDC INT-IITT-SPHWDC INTIITTDLCHW72 INTRFC II TT 03
• Double Sided Tabletop Unit with 8 Power Receptacles, 15 AMP Circuit breaker and 8 Telecom Plate Knockouts with convenience receptacle and underside of unit - 108" Hardwire	Black Silver Pearl Brushed Aluminum Brushed Stainless Steel	INTIITTBHWDC108 INTIITTSHWDC108 INTIITTALHDC108 INTIITTSDDC108
• Double Sided Tabletop Unit with 8 Power Receptacles, 15 AMP Circuit breaker and 8 Telecom Plate Knockouts with convenience receptacle and underside of unit - 144" Hardwire	Black Silver Pearl Brushed Aluminum Brushed Stainless Steel	INTIITTBHWDC144 INTIITTSHWDC144 INTIITTALHDC144 INTIITTSDDC144
• Double Sided Tabletop Unit with 8 Power Receptacles, 15 AMP Circuit breaker and 8 Telecom Plate Knockouts with convenience receptacle and underside of unit - 180" Hardwire	Black Silver Pearl Brushed Aluminum Brushed Stainless Steel	INTIITTBHWDC180 INTIITTSHWDC180 INTIITTALHDC180 INTIITTSDDC180