

YOUR INNOVATIVE
ELECTRICAL SOLUTION.

Mini-Adapt™



STU
DIO

BY DEKKO

Economical Appeal

BACK TO THE BASICS

With an unobtrusive half-moon design and small foot print, Mini-Adapt provides an economical yet visually appealing option for an edge mount power source for any surface.



MINI-ADAPT™ PROVIDES:

Easy Access to Power

The Mini-Adapt™ Power Tap works with Perimeter or as a stand-alone duplex power tap. With an elegant arched design and small footprint, it provides an economical, yet visually appealing, option for an edge mount power tap on any work surface.

The Mini-Adapt Power Tap is available in a clamp-on mounting option and is UL 962A and 111 Listed.



FEATURES:

Applications

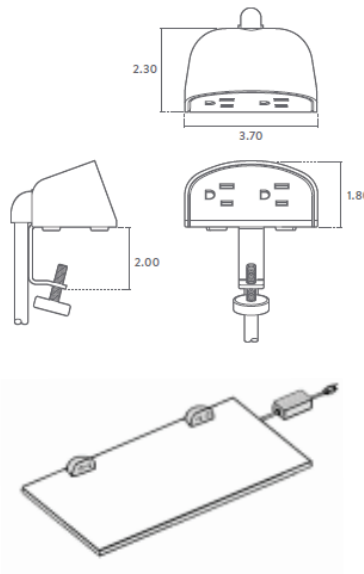
Clamp-on

Standard Metal Trim Finishes

- Black
- White

Standard Plastic Colors

- White
- Black



Mini-Adapt with Perimeter
(For Visual Representation)

Specifications

- 2- 15A, 120V AC Power Outlets
- 72" or 108" Cord or 12" Built-In Perimeter Cord
- Compatible with Perimeter System *(See Perimeter Brochure and Spec Sheet for Details)*
- UL 962A Listed
- UL 1363 Recognized
- Meets UL Spill Requirements
- Class 2, FCC Part A Approved

Dimensions

- Mini Adapt™ Standard Dimensions: 3.70" x 2.30" x 1.80"

ORDERING INFORMATION

DESCRIPTION	LENGTHS CORDED	FINISH PLASTIC FACE/METAL TRIM	MODEL
MINI-ADAPT			
• 2 AC 15 Amp Power Outlets	72"	Black/Black White/White	305033.1.1 305033.1.3
	108"	Black/Black White/White	305033.1.2 305033.1.4
MINI-ADAPT WITH PERIMETER SYSTEM			
• 2 AC 15 Amp Power Outlets with 12" Perimeter Cord	12"	Black/Black White/White	400024.1.1 400024.1.3