



SECLUSION G2[®] MOUNTING ACCESSORIES



VERSATILE MOUNTING OPTIONS

SECLUSION[®] G2 MOUNTING ACCESSORIES

Our line of mounting accessories for the Seclusion[®] G2 Family of Products provides a multitude of options for adding power above or below the work surface. Our standard Bracket is perfect for applications where a permanent solution above or below the work surface is required. The Clamp provides flexibility to secure the Seclusion[®] G2 to the work surface and position as demands change. Our Grommet Mount allows you to affix the unit into standard grommet cutouts available in work surfaces and Seclusion[®] Feet allow you to stand the Seclusion[®] G2 unit anywhere on the work surface and move as needed.



SECLUSION[®] G2 - MOUNTING ACCESSORIES



FEATURES:

Applications

- Clamp-on
- Under-mount
- Grommet
- Free-Standing/Feet

Standard Finishes -

- Black 
- Gloss White 

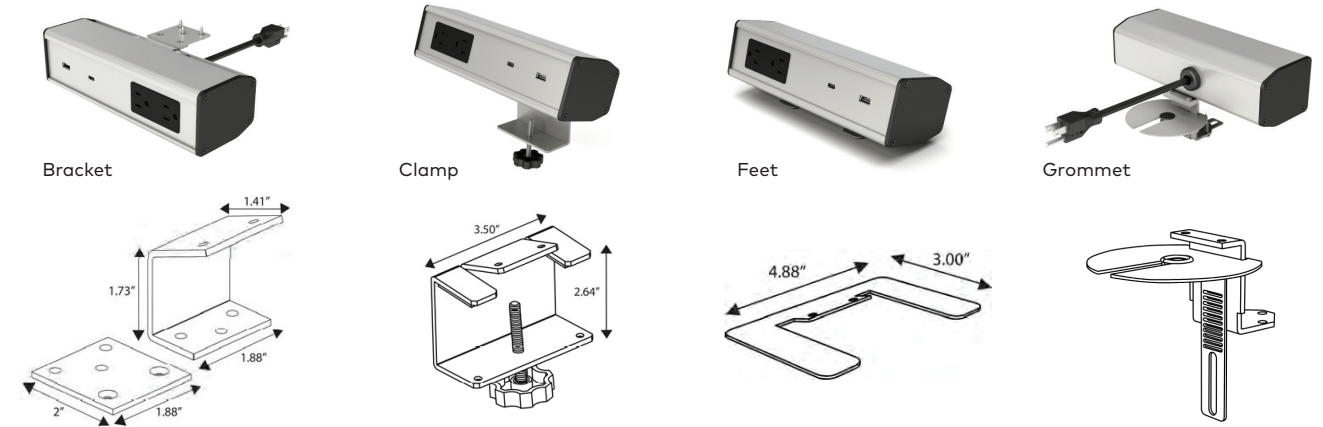
Specifications

- Accessories Compatible with Seclusion[®] G2 Series & Seclusion G2 60W Products
- Standard Finish Options: Black and Gloss White
- Recommended Table Thickness for Bracket: 0.75" - 1.75"

- Recommended Table Thickness for Clamp: 0.50" - 2"
- Recommended Table Thickness for Grommet: 1" - 1.5" (25.4mm - 38.3mm)
- Recommended Table Cutout for Grommet: 2" - 3.15" (50.8mm - 80mm)

Dimensions

- Bracket Dimensions : 1.41" x 1.88" x 1.73"
- Clamp Dimensions: 1.54" x 3.50" x 2.64"
- Feet Dimensions: 4.88" x 3"
- Grommet Dimensions: 3.70" Diameter



Mounting Accessories - Choice of One Included Complimentary with Each Seclusion[®] G2 Unit

- | | | |
|-----------|----------------------|---------------------------------|
| • Bracket | Black
Gloss White | SEC-BRKT
SEC-BRKT-GW |
| • Clamp | Black
Gloss White | SEC-CLAMP
SEC-CLAMP-GW |
| • Grommet | Black
Gloss White | SEC-GROM-MT-B
SEC-GROM-MT-GW |
| • Feet | Black
Gloss White | SEC-FEET-B
SEC-FEET-GW |

