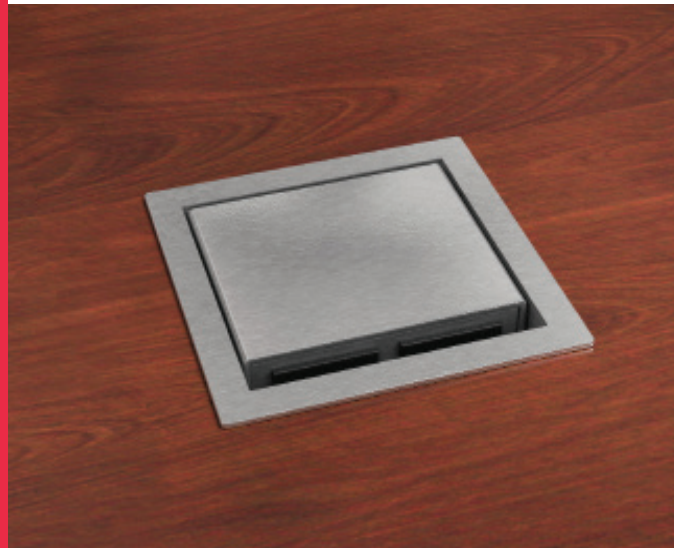




TOP NOTCH 2

TOP NOTCH 2



PENT-UP POWER

FLIP-TOP POWER & DATA SOLUTION

Top Notch 2 family of tabletop products is the ideal choice for single user applications. The lid flips up to provide access to power and data. When closed the Top Notch 2 discreetly becomes part of the work surface. A variety of data options can be incorporated to satisfy your telecommunication requirements.

FEATURES:

Applications

Bezel / In-Surface

Standard Finishes

- Silver Pearl
- Black
- Brushes Stainless Steel



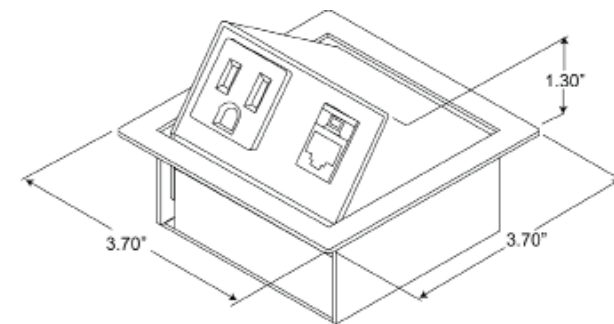
Specifications

- 1-2 - 15A, 120V AC Power Receptacles
- Data Knockouts (Available on Select Models)
- Corded Option
- Power Only Standard Cord Length: 72"
- Power & Data Standard Cord Length(s): 72" Patch & Power Cord

- Recommended Table Thicknesses: .75" - 1.88"
- Recommended Table Cutout: 3.40" x 3.40"
- Lid Lifts Open for Power & Data Access - Lays Flush to Surface When Closed
- UL Listed for US and Canada

Dimensions

- Standard Top Notch 2 Dimensions: 3.70" x 3.70" x 1.30"



Top Notch 2
1 Power 1 Data Jack Shown



DESCRIPTION**FINISH****PART NUMBER****Top Notch 2 - 2 Power Only**

- Flip up unit, 2 power with 72" cord

Black
Silver Pearl
Brushed Stainless Steel

TOP NOTCH2 P BL
TOP NOTCH2 P SP
TOP NOTCH2 P SS

Top Notch 2 - 1 Power & Data

- Flip up unit, 1 power, 1 RJ -45 (cat 6) connector, 72" cord & 72" patch cord

Black
Silver Pearl
Brushed Stainless Steel

TOP NOTCH2 B BL
TOP NOTCH2 B SP
TOP NOTCH2 B SS

Top Notch 2 - 1 Power & USB

- Flip up unit, 1 power, 1 USB Universal connector, 72" cord & 72" patch cord

Black
Silver Pearl
Brushed Stainless Steel

TOP NOTCH2 U BL
TOP NOTCH2 U SP
TOP NOTCH2 U SS

Accessories

- Powered USB transformer to bring power from any standard outlet to the Top Notch 2 USB connector.

POWERED-USB