



FEATURES:

Applications

In-Surface
On-Surface

Standard Finishes

Brushed Stainless Steel 
Black 



Specifications

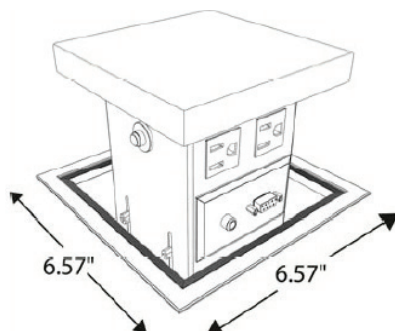
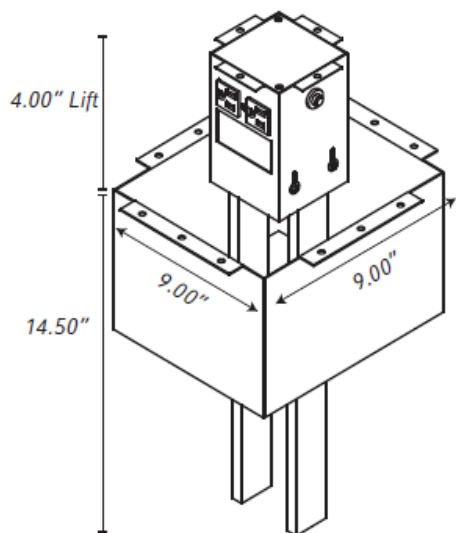
- 4 - 15A, 120VAC Receptacles
- Circuit Breaker
- Standard Cord Length: 72" molded plug or 72" Hardwired
- Square or Round Tops Available in Black or Stainless Steel Finish with Trim Kit
- Optional Outer Pan Available
- Table Thicknesses Requirement: .75" - 1.50"
- Recommended Gap (between table & top edge): 0.062" - 0.125"
- Manual Lift Supports Maximum 4 lbs.
- CSA Certified

Unit Dimensions

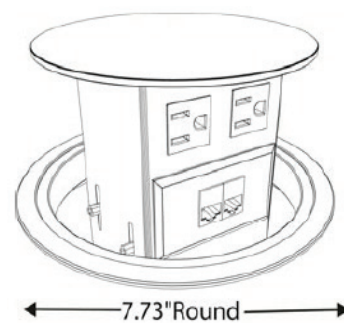
- Unit *without* Outer Pan: 9" x 9" x 14.50"
- Unit *with* Outer Pan: 9" x 9" x 23.50"

Top Size Parameters

- ECA Top Size: 5.25" Round or 5.25" Square
- Minimum Custom Top Size: 5" Round or 4.5" Square
- Maximum Custom Top Size: 7" Round or 7" Square



Concept Unit with Square Top and Trim Kit



Concept Unit with Round Top and Trim Kit

DESCRIPTION**FINISH****PART NUMBER****Concept**

- | | | |
|---|-------------------------|--------------------------------|
| • Concept Unit, 4 Power, 2 Data Plate Knockouts, Manual Lift, will lift 4 lbs, Includes Black Square top and Trim Kit - 72" Corded or Hardwired | Black | CON-S-B-SC-K
CON-S-B-HW-K |
| • Concept Unit, Manual Lift, will lift 4 lbs, Includes Brushed Stainless Steel Square top and Trim Kit - 72" Corded or Hardwired | Brushed Stainless Steel | CON-S-SS-SC-K
CON-S-SS-HW-K |
| • Concept Unit, 4 Power, 2 Data Plate Knockouts, Manual Lift, will lift 4 lbs, Includes Black Round top and Trim Kit - 72" Corded or Hardwired | Black | CON-R-B-SC-K
CON-R-B-HW-K |
| • Concept Unit, Manual Lift, will lift 4 lbs, Includes Brushed Stainless Steel Round top and Trim Kit - 72" Corded or Hardwired | Brushed Stainless Steel | CON-R-SS-SC-K
CON-R-SS-HW-K |

***Telecom Plates Sold Separately**