



DATA PORTAL PAK



**POWER
THAT
MOVES
WITH YOU.**

UNDER-MOUNT POWER SOLUTION

The Data Portal Pak can be configured to accommodate any of the ECA Electri-Pak wiring systems, including our 8 wire, 3 circuit or 8 wire, 4 circuit systems. Power configurations include 3 or 4 receptacles that can be configured as a multi-or single circuit configuration. Two cutouts are provided to house telecom plate which can be customized around your specific needs. Interconnecting cables and power infeeds are available in a variety of lengths. Contact ECA for help in specifying this product in your next project.

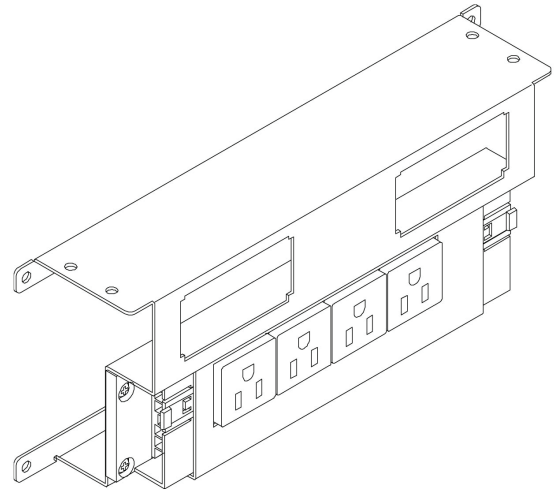


FEATURES:**Applications**

On-surface
Under-mount
Benching systems

Standard Finishes

Black

**Specifications**

- Single Circuit and Multi-Circuit Triplex and Double Duplex Blocks available for 3 or 4 Receptacles
- 2 Telecom Plate Knockouts
- Compatible with Electri-Pak 7 Wire, 3 Circuit; 8 Wire, 3 Circuit or 8 Wire, 4 Circuit Configurations
- Constructed of Black Powder-Coated Steel
- Telecom Plates Sold Separately
- Ashrae 90.1 & Title 24 Compliant

Dimensions

- Triplex Standard Dimensions: 9.98" x 2.40" x 4.50"
- Double Duplex Dimensions: 11.33" x 2.40" x 4.50"

