



**DEPARTURE**





# POWER TO THE PEOPLE

## POWER FOR PUBLIC SPACES

People need access to power like never before. Departure delivers. Now high-traffic spaces, from airport terminals to ER waiting rooms, can offer guests easy access to USB and USB-C power. Compatible with a variety of group seating furniture designs, Departure mounts to any beam-seating structure: T-shaped, Rectangular, Square, Triangular, or Round. Its versatile arm-to-clip design puts charging within easy reach. Departure is compact and endlessly flexible. Retrofit to existing seating, or use our under-mount accessory to put under tabletops. Want to avoid a tangle of cords? Multiple units can be connected from a single infeed. Power simply doesn't get any more convenient.



## DEPARTURE PROVIDES:

### Beam-Style Furniture Compatibility

Unique mounting capabilities make any public location charge-friendly with a host of group-seating furniture designs.

### Flexible Range of Configurations

Choose between 12 Amp duplex receptacle power only or power combined with USB & USB-C to recharge laptops and devices fast.

### Prime Hot-spots

Delivers personalized charging power to the edge of the occupant's seat. Mount below connected tabletop surface for shareable access.

### Daisy Chain Capability

Link multiple units from one infeed and eliminate excess wires and cords. Its strategic design legally allows units to link, using the molded cord, to the adjacent units convenience outlet, located on the back of the unit.

### Versatile Arm-to-Clamp Design

Flexible and compact, Departure mounts to any beam-seating structure: T-shape, Rectangular, Triangular, Round, or Square. Its unique arm-to-clamp construction offers customized mounting capabilities to any seat structure.

### Optimal Housing Size

Large enough for user visibility and durability in high-traffic areas. Compact enough for minimal interference with custodial duties.

### Hassle-Free Upgrade

Easily retrofits to existing public cluster-seating furniture styles.

### ETL Listed for US and Canada



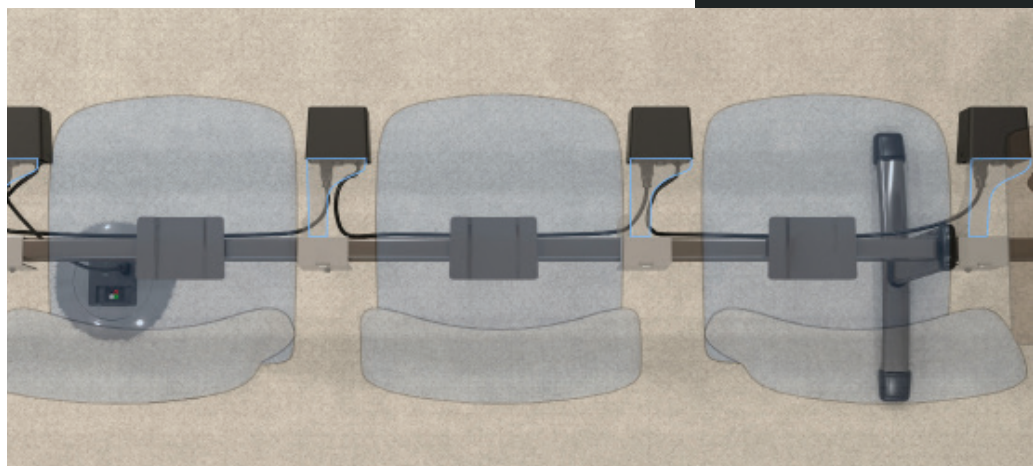
**FEATURES:**

**Applications**

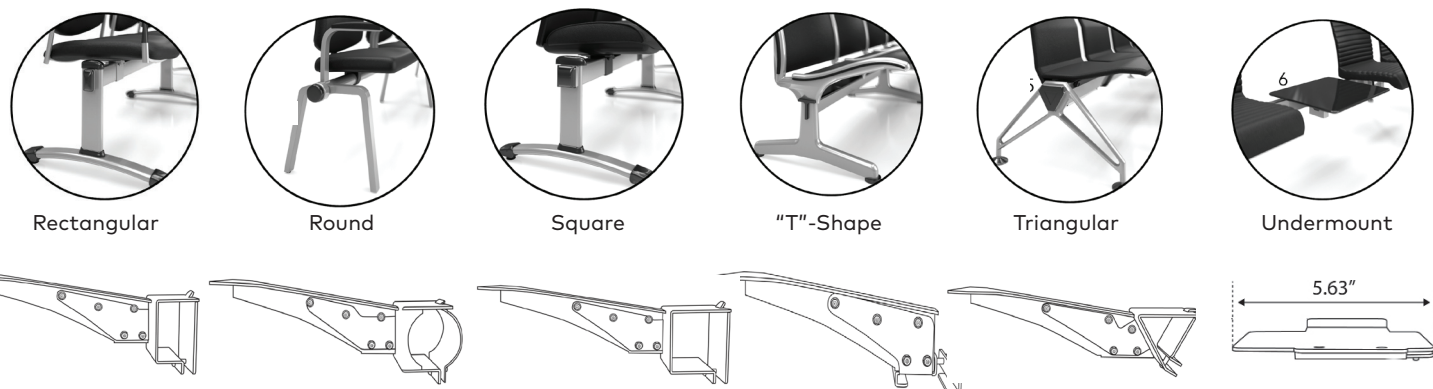
Tandem-Seating Furniture  
Under-mount

**Standard Finishes**

Steel Housing   
 Black Cover   
 Grey Cover



**Beam-Style With Mounting Accessory:**



**Specifications**

- 12A, 120VAC Tamper Resistant Receptacles
- 5A/25W, 5VDC USB and USB-C Charging Ports
- 12A Circuit Breaker
- 96" Standard Cord with NEMA 5-15 Straight Plug
- Arm-Mount Accessories Available for Five Tandem Beam-Seating Styles: "T"-Shaped, Round, Square, Rectangular and Triangular
- Standard Arm-to-Clamp Bracket Length: 14" (Custom Arm Lengths Available Upon Request)
- Under-Mount Option for Tables/Flat Surfaces
- Daisy Chain Capability
- Standard Finish Options: Metal Housing with Black or Grey Textured Plastic Cover
- ETL Listed for US and Canada

**Dimensions**

- Power Box Standard Dimensions for All 3 Configurations: 5.03" x 5.24" x 3.25"
- Arm-to-Clamp Standard Dimensions: 14" L (Custom Length Modifications Available. (Must Provide Beam-Seat Dimensions and/or Diagram For Accurate Fitting.)

