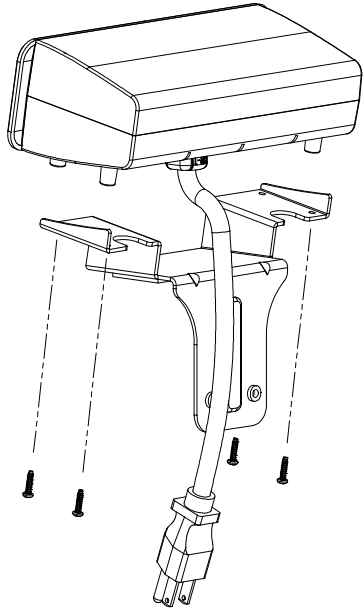
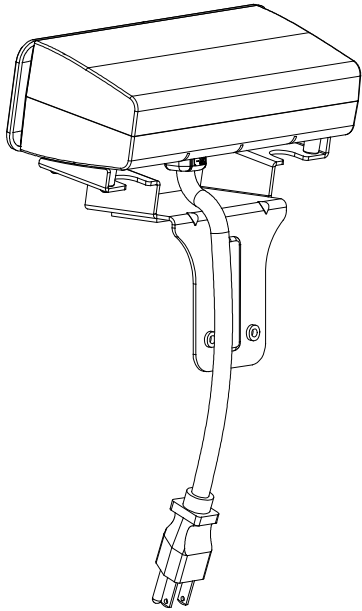


# INSTRUCTIONS

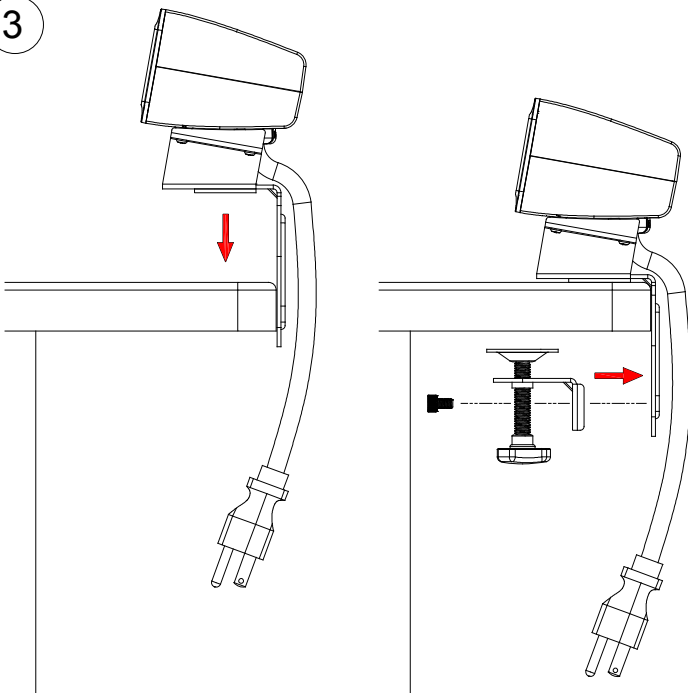
1



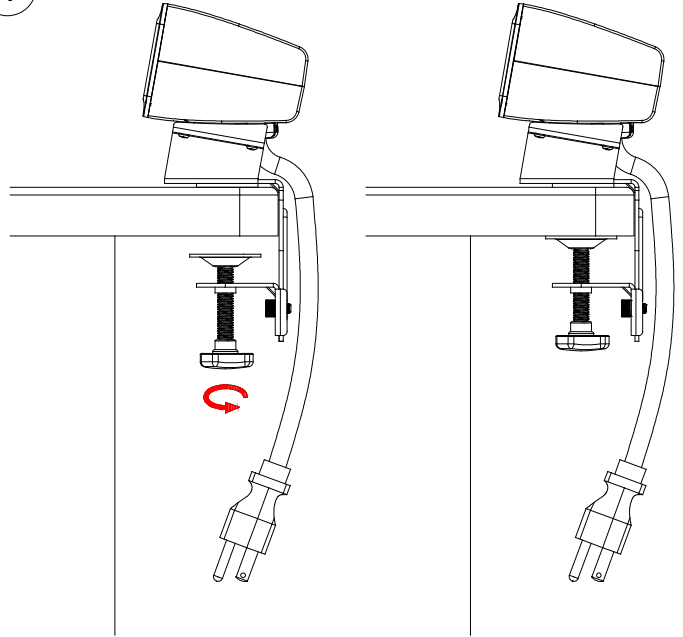
2



3



4



5

