

**FEATURES:**

**Applications**

In-Surface

**Standard Finishes**

Black

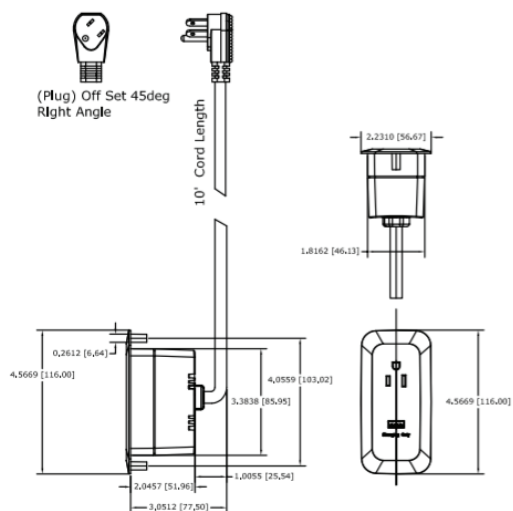


**Specifications**

- 1 AC 15A Power Outlet - Tamper Resistant Receptacle
- 1 USB-A, 2.4A per port
- UL and cUL Listed
- Comes with 1/2" and 3/4" mounting screws

**Dimensions**

- 10' - 14/3 gauge cord
- Plug - 90 degree with 45 degree offset



**DESCRIPTION****FINISH****PART NUMBER**

---

**F-751**

- Furnlite in surface, 1 power, Tamper Resistant, 1 USB 2.4A, 10' cord with 90 degree/45 offset plug

Black

F-751