

DEKKO

7310 Innovation Blvd. Suite 104
Fort Wayne, IN 46818
Customer Service: 800.357.5622

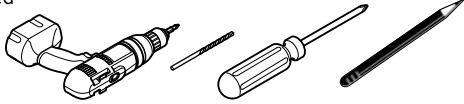
TUCK

- Corded -

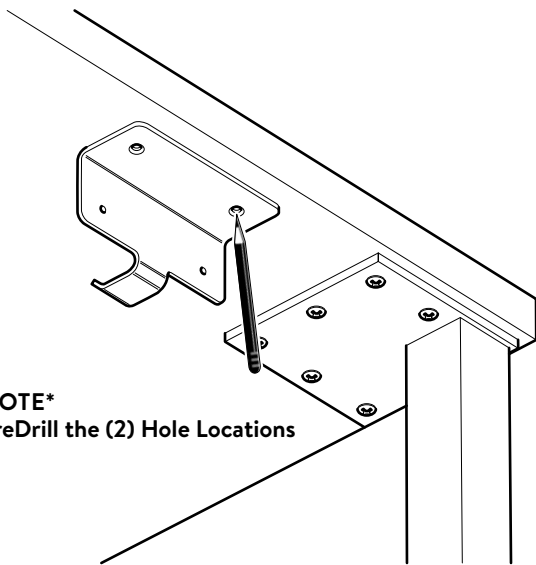
Below Worksurface Mounting Installation Instruction

This device complies with part 15A of the FCC Rules. Operation is subject to the following two conditions: (1) This device may not cause harmful interference, and (2) this device must accept any interference received, including interference that may cause undesired operation.

Tools Required

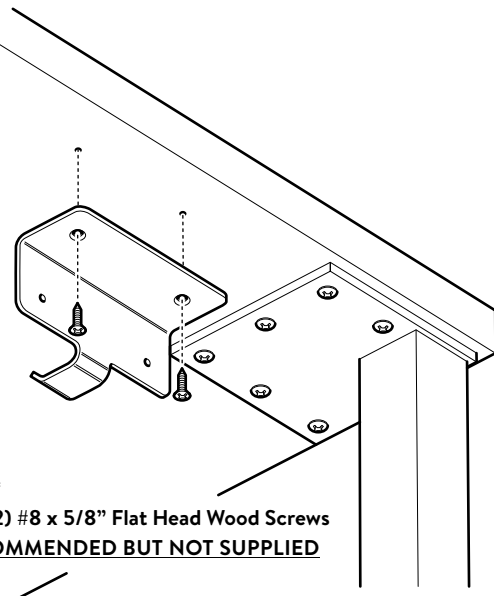


1 Position TUCK MOUNTING BRACKET in Desired Location and Mark Holes



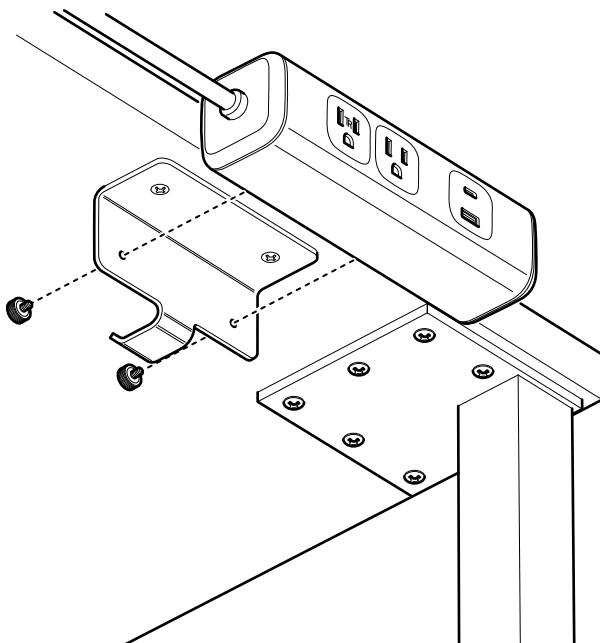
NOTE
PreDrill the (2) Hole Locations

2 Install TUCK MOUNTING BRACKET to Worksurface

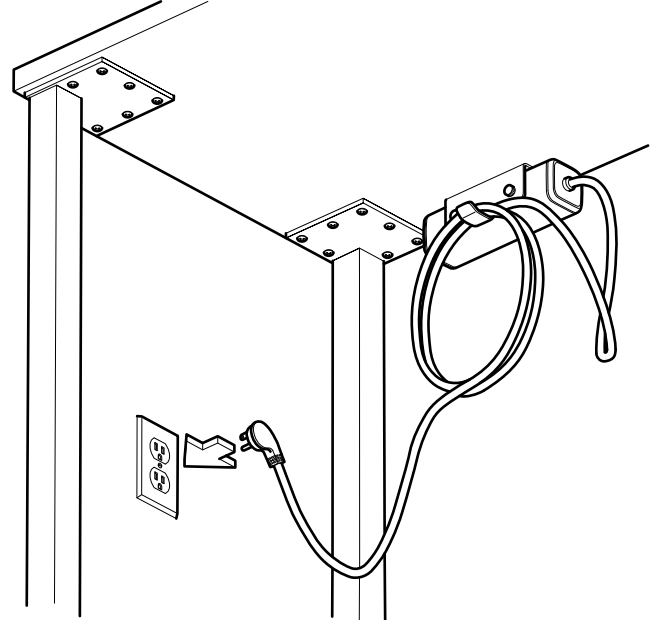


Note*
Use (2) #8 x 5/8" Flat Head Wood Screws
RECOMMENDED BUT NOT SUPPLIED

3 Install TUCK POWER TAP to TUCK MOUNTING BRACKET with (2) Thumbscrews



4 Plug TUCK POWER CORD into Powered Outlet and Manage Extra Cordage with the Integrated Hook



E.C.N. No: GD21-001550

Part Number: G110448

Page Number: 1 of 1

Revision: A