

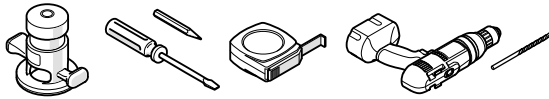
DEKKO

7310 Innovation Blvd. Suite 104
Fort Wayne, IN 46818
Customer Service: 800.357.5622

COVE Daisylink Installation Instruction

This device complies with part 15A of the FCC Rules. Operation is subject to the following two conditions: (1) This device may not cause harmful interference, and (2) this device must accept any interference received, including interference that may cause undesired operation.

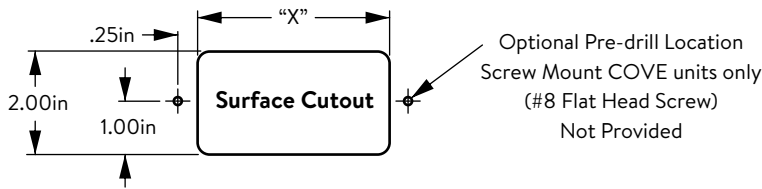
Tools Required



1 Determine The Surface Cutout Size for the COVE Unit Being Installed

*** NOTE ***

Refer to chart to determine "X" dimension. (Max radius on corners is R 5/16in)



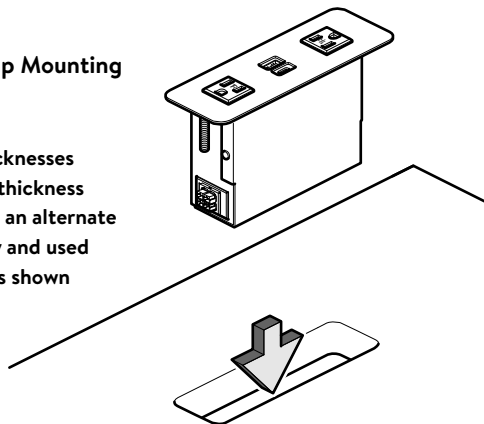
Standard Faceplate	"X"	Data Faceplate	"X"
2 Power	4.50in	2 Power	8.25in
2 Power 1 Convenience	5.25in	2 Power 1 Convenience	9.00in
3 Power	5.75in	3 Power	9.50in
4 Power	7.25in	4 Power	11.00in
6 Power	12.25in	6 Power	16.00in
USB Only 60W A&C	4.50in	USB Only 60W A&C	8.25in
1 Power / 60W USB A&C	5.25in	1 Power / 60W USB A&C	9.00in
2 Power / 60W USB A&C	6.75in	2 Power / 60W USB A&C	10.50in
3 Power / 60W USB A&C	8.00in	3 Power / 60W USB A&C	11.75in
4 Power / 60W USB A&C	9.50in	4 Power / 60W USB A&C	13.25in
5 Power / 60W USB A&C	11.00in	5 Power / 60W USB A&C	14.75in
6 Power / 60W USB A&C	12.75in	6 Power / 60W USB A&C	16.50in

2 Install COVE Assembly into Cutout opening

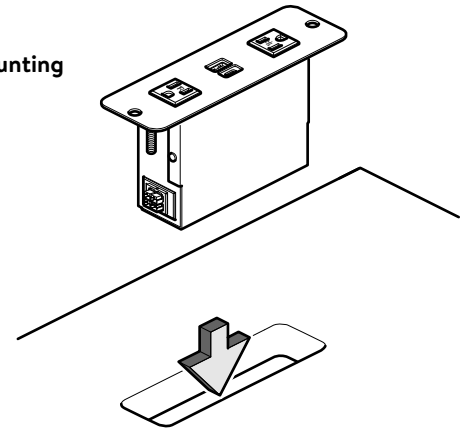
*** NOTE ***

Standard clamp fits surface thicknesses .25in to 1.25in. Surfaces with a thickness between 1.25in and 1.50in need an alternate bracket which is sold separately and used for clamping the COVE which is shown in step 3.

Clamp Mounting



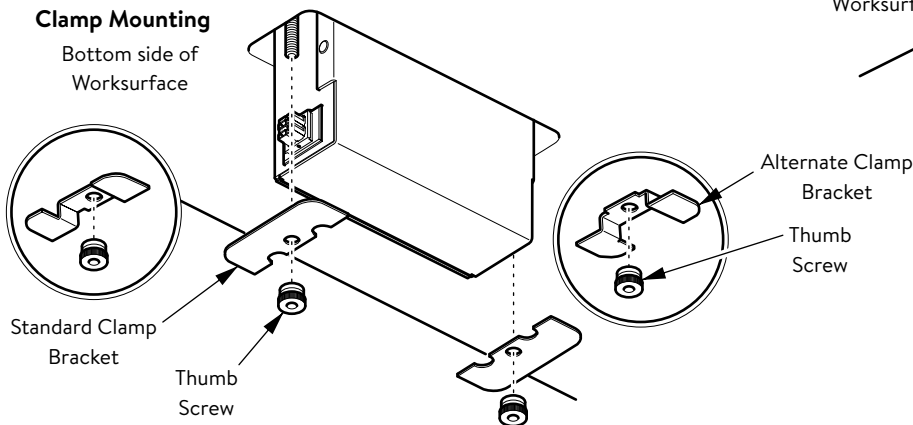
Screw Mounting



3 Secure COVE Assembly to Worksurface

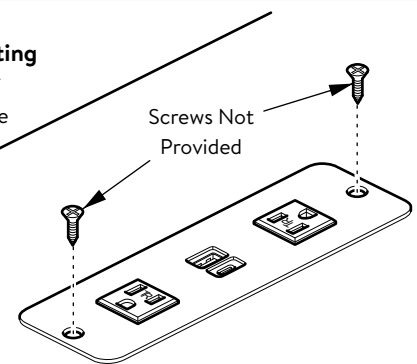
Clamp Mounting

Bottom side of Worksurface



Screw Mounting

Top side of Worksurface



*** NOTE ***

Tighten screws until secure, do not over tighten.

DEKKO

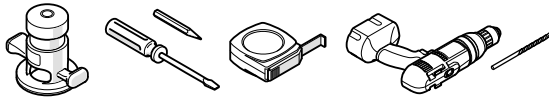
7310 Innovation Blvd. Suite 104
Fort Wayne, IN 46818
Customer Service: 800.357.5622

COVE

Daisylink
Installation Instruction

This device complies with part 15A of the FCC Rules. Operation is subject to the following two conditions: (1) This device may not cause harmful interference, and (2) this device must accept any interference received, including interference that may cause undesired operation.

Tools Required



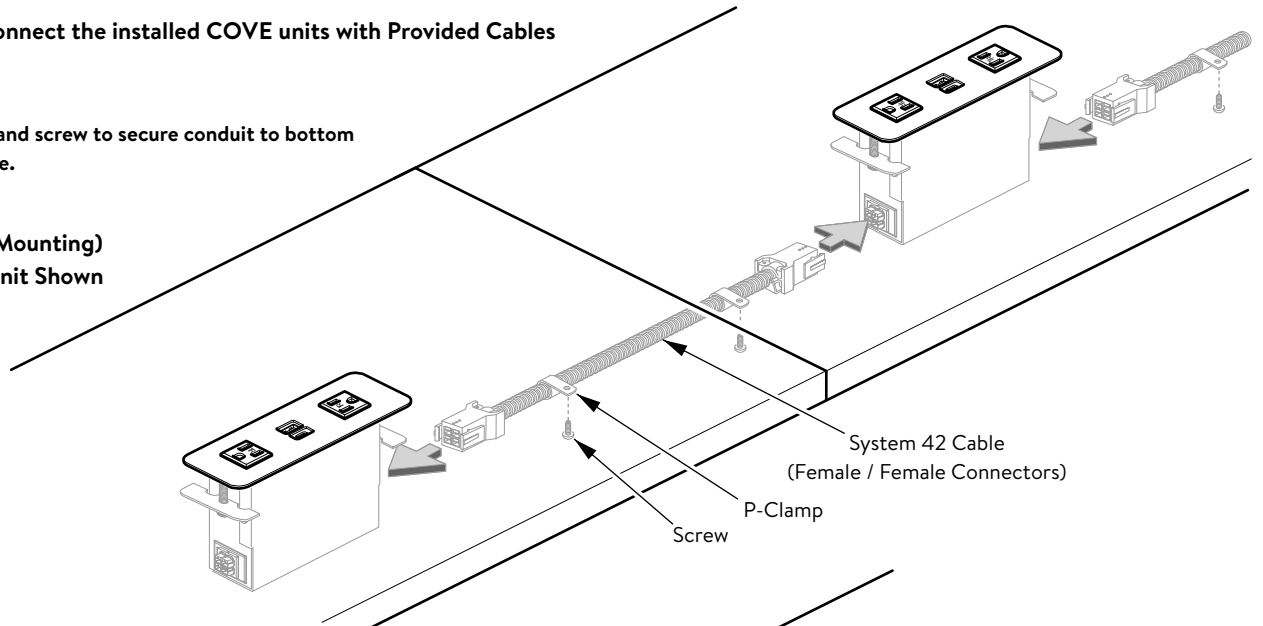
4A

Connect the installed COVE units with Provided Cables

*** NOTE ***

Use P-Clamp and screw to secure conduit to bottom of worksurface.

(Clamp Mounting)
COVE Unit Shown



4B

Connect the desired Power In-feed into the first COVE unit and Connect Power and Data as needed.

*** NOTE ***

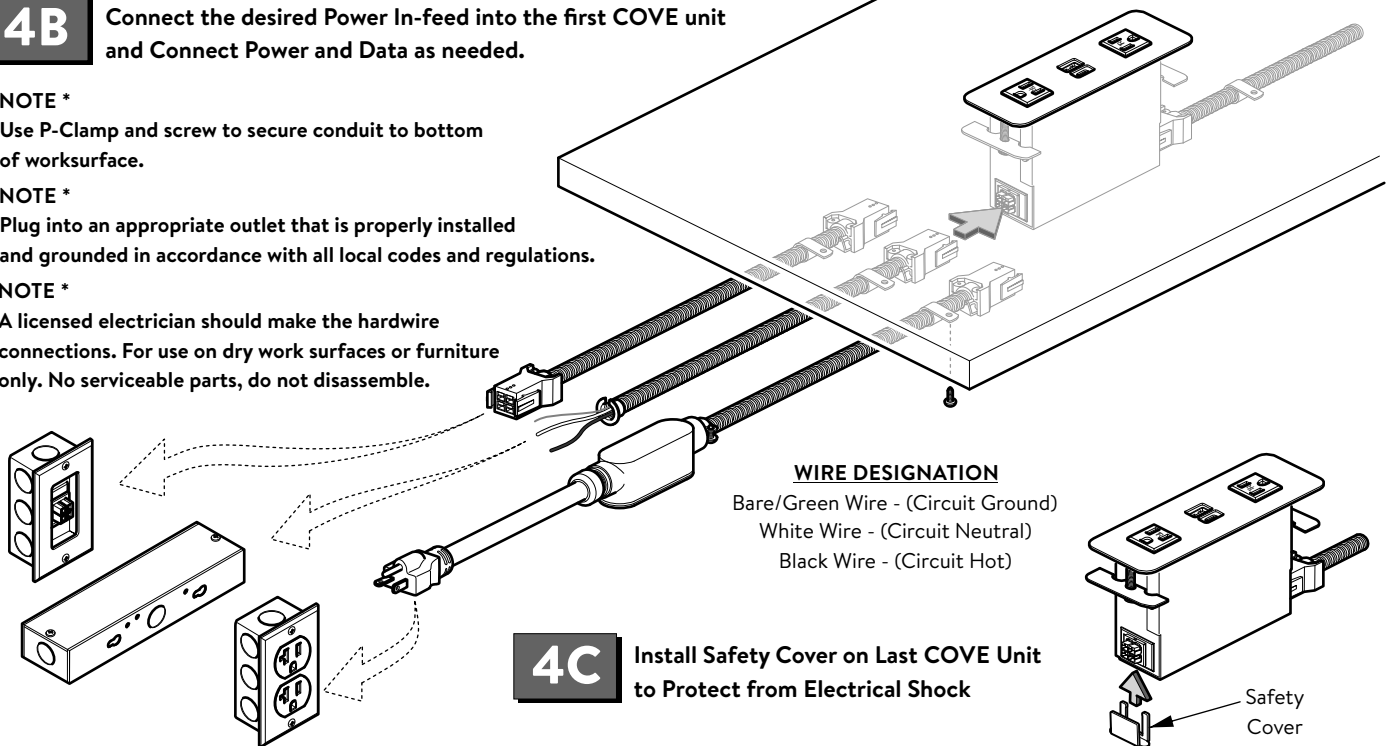
Use P-Clamp and screw to secure conduit to bottom of worksurface.

*** NOTE ***

Plug into an appropriate outlet that is properly installed and grounded in accordance with all local codes and regulations.

*** NOTE ***

A licensed electrician should make the hardwire connections. For use on dry work surfaces or furniture only. No serviceable parts, do not disassemble.



4C

Install Safety Cover on Last COVE Unit to Protect from Electrical Shock

Safety
Cover