

DEKKO

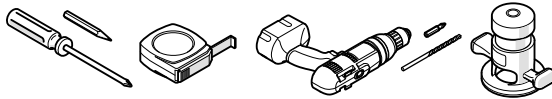
7310 Innovation Blvd. Suite 104
Fort Wayne, IN 46818
Customer Service: 800.357.5622

OASIS™ & OASIS™ MINI

Corded
Installation Instruction

This device complies with part 15A of the FCC Rules. Operation is subject to the following two conditions: (1) This device may not cause harmful interference, and (2) this device must accept any interference received, including interference that may cause undesired operation.

Tools Required



- 1** Cutout Hole in the Desired Location of the Table Top.
Refer to chart for appropriate cutout dimensions.

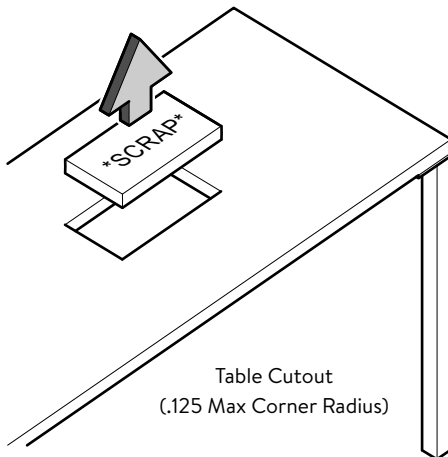
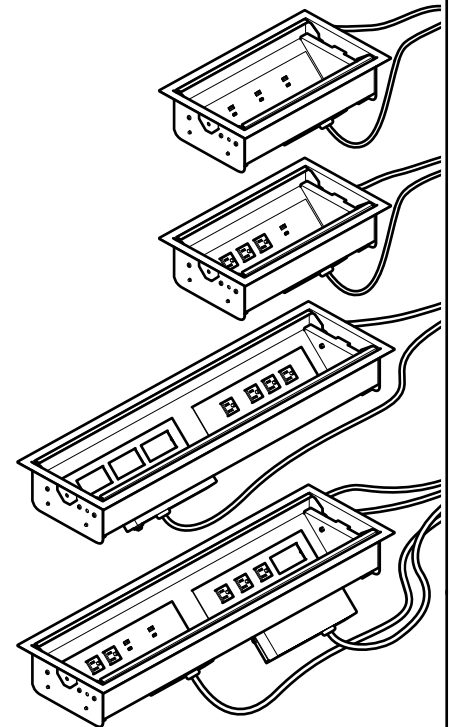
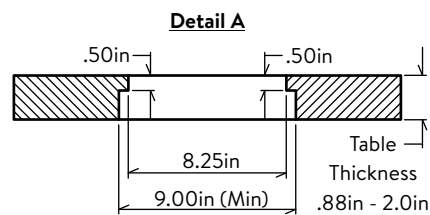


Table Cutout
(.125 Max Corner Radius)

Cutout Sizes	Width	*Length
Oasis™ Mini	8.25	*14.12
Oasis™	8.25	*29.12

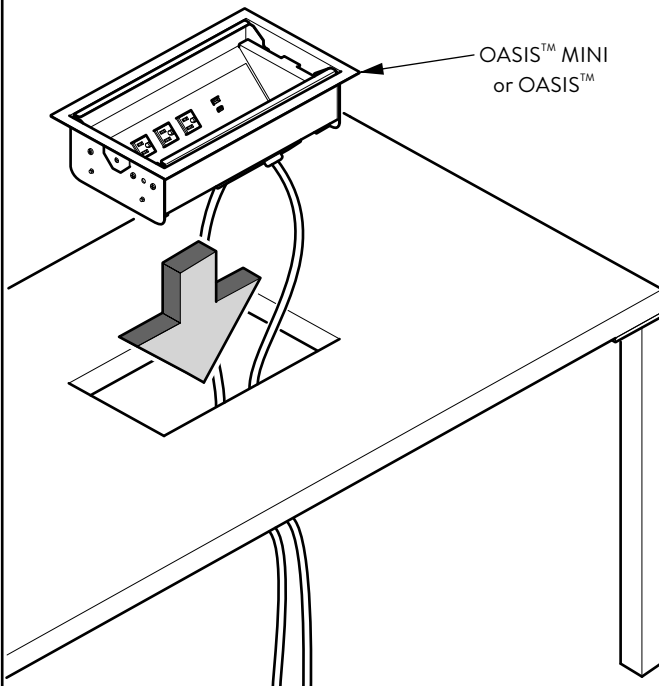
*Undercut required along the "Length"

*** NOTE ***
Undercut is required for lid clearance along both long sides of cutout. See Detail A below



NOT ALL OASIS™ & OASIS™ MINI
VERSIONS SHOWN

- 2** Insert Oasis™ Mini or Oasis™ into Cutout



OASIS™ MINI
or OASIS™

- 3** Install Clamps over T-studs and Secure Thumbscrews, Connect Power Cord and Use P-Clamps to Manage Power Cords to Underside of Worksurface

*** NOTE ***
Plug power cord into an appropriate outlet that is properly installed and grounded in accordance with all local codes and regulations.

