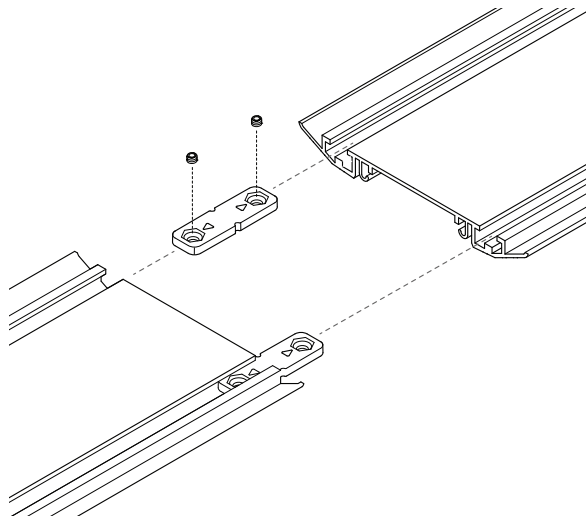


CONNECTRAC

GO 12' INSTALLATION TIPS

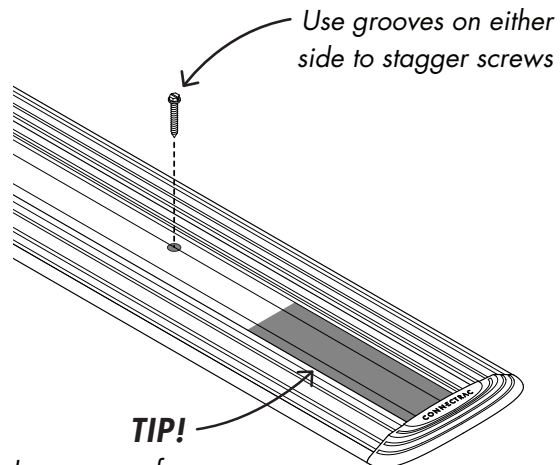
USE INCLUDED COUPLERS

Insert as shown, then tighten set screws.
These help align the bottom tracks.



FASTEN IT DOWN

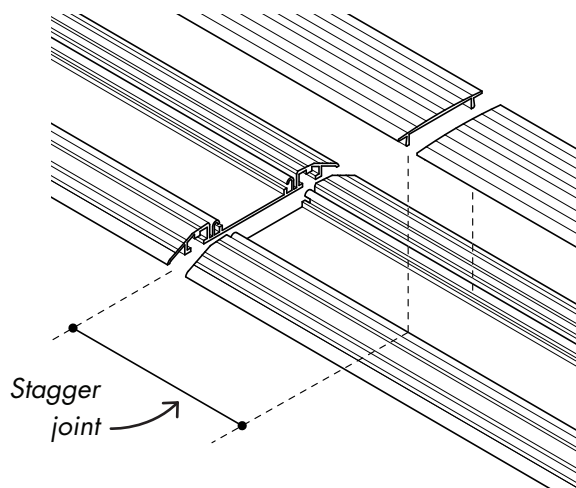
This is necessary when combining tracks.



TIP!
Leave room for
electrical device

STAGGER BOTTOM TRACK AND TOP CAP

Offset the bottom track joint from the top cap joint.
This helps strengthen the assembly.



CAN BE TRIMMED TO LENGTH

The wireway can be trimmed if you need
a different length.

