

STUDIO

BY DEKKO

2505 Dekko Drive
Garrett, IN 46738
Customer Service: 800.357.5622

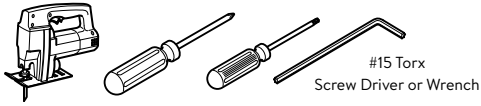
ASHLEY 202 BEZEL

- Conduit -

Horizontal or Vertical Surface Mounting Installation Instruction

This device complies with part 15A of the FCC Rules. Operation is subject to the following two conditions: (1) This device may not cause harmful interference, and (2) this device must accept any interference received, including interference that may cause undesired operation.

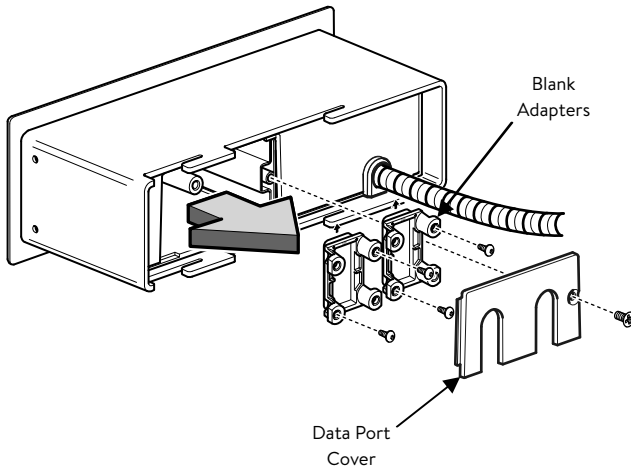
Tools Required



NOTE

All Tech Adapters Need to be Mounted in the
↑ "UP" ↑ Position. (Refer to the back of Parts)

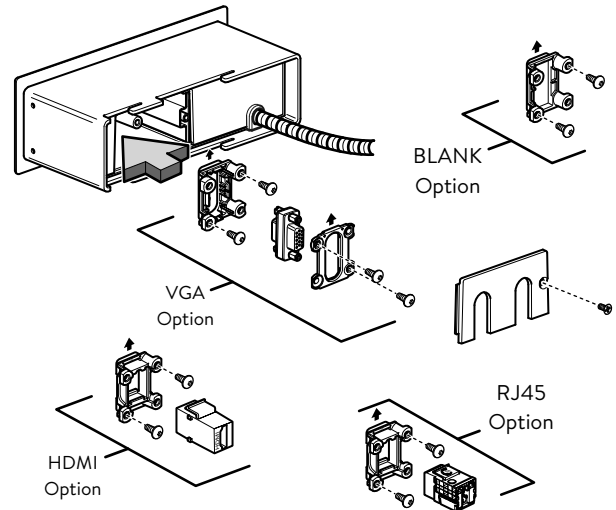
1 Remove Data Port Cover and Blank Adapters



2 Install Data Port Options (VGA, RJ45, HDMI, BLANK)

NOTE

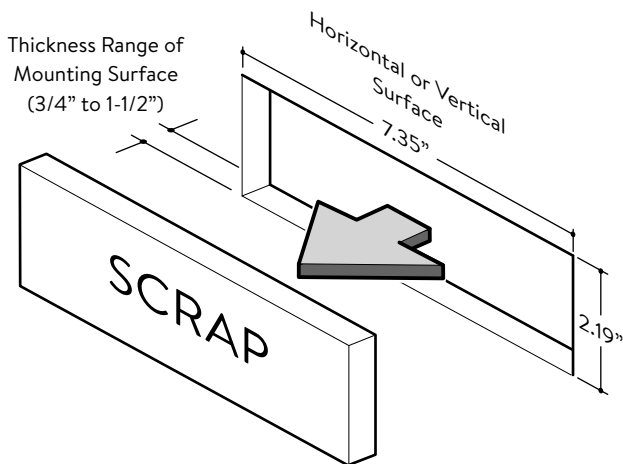
See Sheet #2 for Detailed Instructions



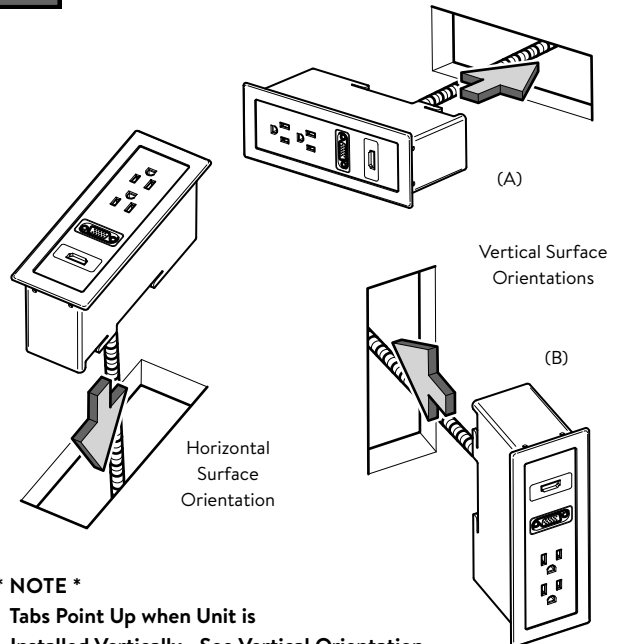
3 Cutout Opening for Ashley 202 Bezel Assembly

* NOTE *

Max Radius on Cutout Corners is 1/4"



4 Install Ashley 202 Bezel Assembly into Cutout



* NOTE *

Tabs Point Up when Unit is
Installed Vertically - See Vertical Orientation

E.C.N. No: GD17-002662

Part Number: G110194

Page Number: 1 of 4

Revision: B

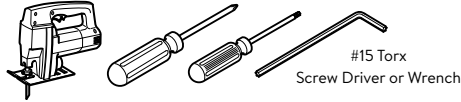
ASHLEY 202 BEZEL

- Conduit -

Horizontal or Vertical Surface Mounting Installation Instruction

This device complies with part 15A of the FCC Rules. Operation is subject to the following two conditions: (1) This device may not cause harmful interference, and (2) this device must accept any interference received, including interference that may cause undesired operation.

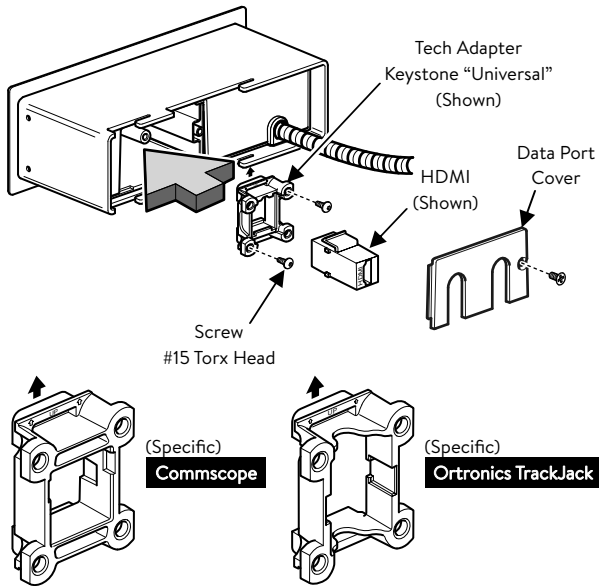
Tools Required



NOTE

**All Tech Adapters Need to be Mounted in the
↑ "UP" ↑ Position. (Refer to the back of Parts)**

2.1 Install Data Tech Adapter Option



(Universal)

KEYSTONE	
HDMI	Optical Cable Corp 5e
Tripp-Lite	Optical Cable Corp 6
Allen-Tel	Ortronics
AMP TE-Krone	Panduit NetKey
Belden KeyConnect	Hubbell Premise
Leviton Quick Port	Type F Coax
Leviton Quick Port Extreme	ETC. (ET. AL.)

(Specific)
Belden EZ MDVO

(Specific)
Panduit Mini-COM

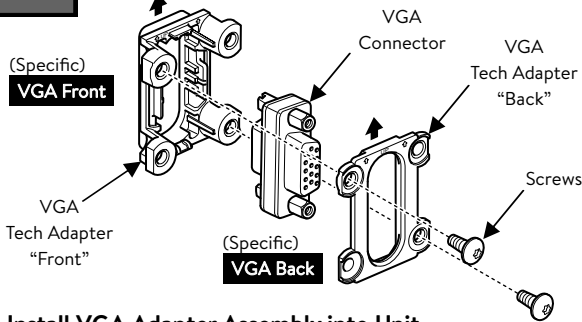
(Specific)
Commscope

(Specific)
Ortronics TrackJack

(Specific)
Siemon

(Specific)
Cable Retainer

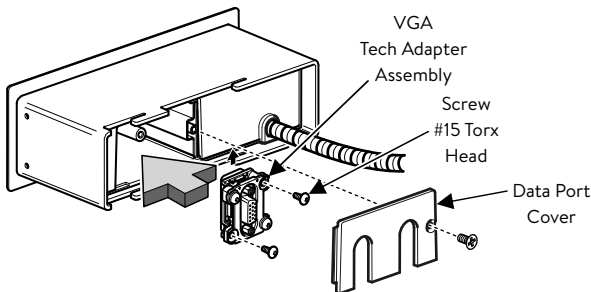
2.2 A Install VGA Connector to VGA Tech Adapters



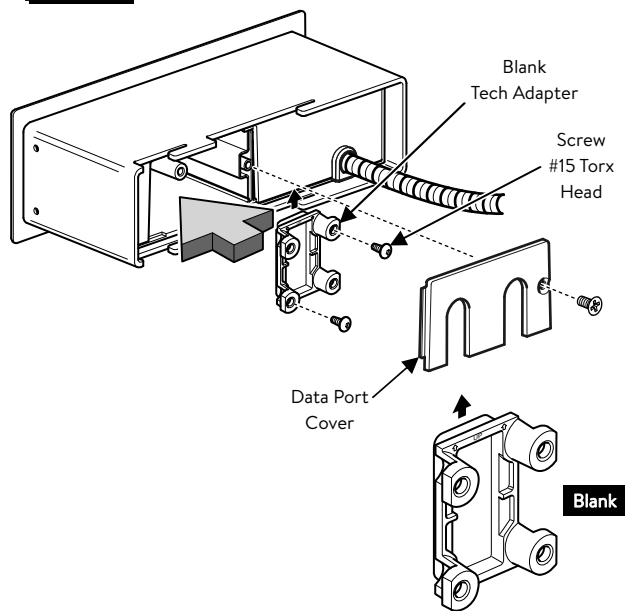
(Specific)
VGA Front

(Specific)
VGA Back

B Install VGA Adapter Assembly into Unit



2.3 Install Blank Tech Adapter Option



Blank

STU
DIO

BY DEKKO

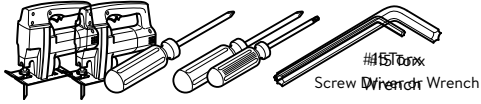
2505 Dekko Drive
Garrett, IN 46738
Customer Service: 800.357.5622

ASHLEY 202 BEZEL

- Conduit -
Horizontal or Vertical Surface Mounting
Installation Instruction

This device complies with part 15A of the FCC Rules. Operation is subject to the following two conditions: (1) This device may not cause harmful interference, and (2) this device must accept any interference received, including interference that may cause undesired operation.

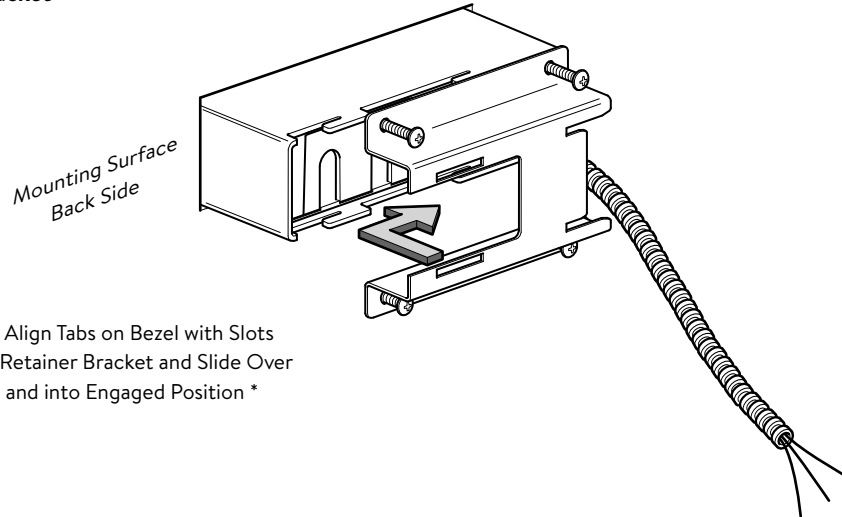
Tools Required



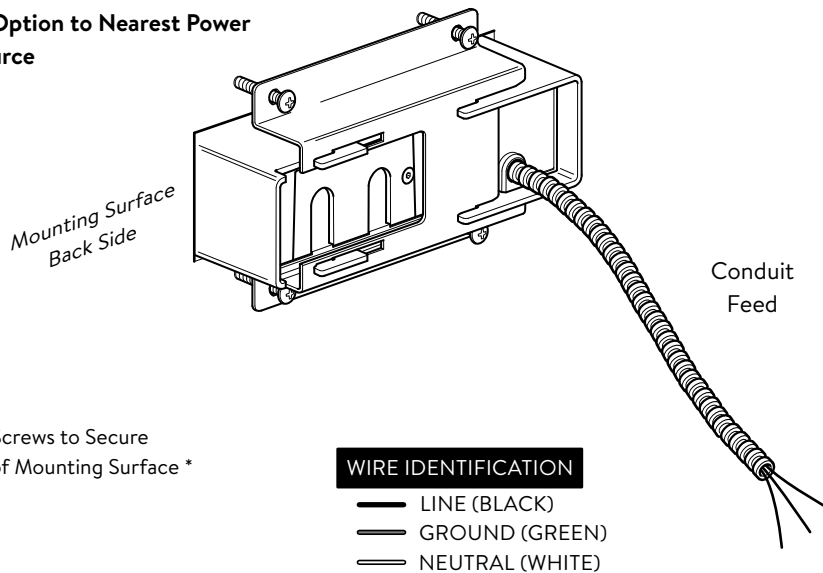
NOTE

All Tech Adapters Need to be Mounted in the
↑ "UP" ↑ Position. (Refer to the back of Parts)

5 Install Retainer Bracket



6 Route Conduit Option to Nearest Power Distribution Source





ASHLEY 202 BEZEL

- Conduit -
Horizontal or Vertical Surface Mounting
[Installation Instruction Template](#)

2505 Dekko Drive
Garrett, IN 46738
Customer Service: 800.357.5622

This device complies with part 15A of the FCC Rules. Operation is subject to the following two conditions: (1) This device may not cause harmful interference, and (2) this device must accept any interference received, including interference that may cause undesired operation.

