



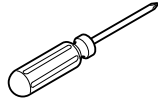
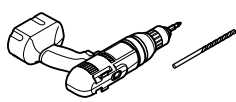
7310 Innovation Blvd., Suite 104,
Fort Wayne, IN 46818
Customer Service: 800.829.3101

ASHLEY 210 UNDER

- Conduit -
Under Worksurface Mounting
Installation Instruction

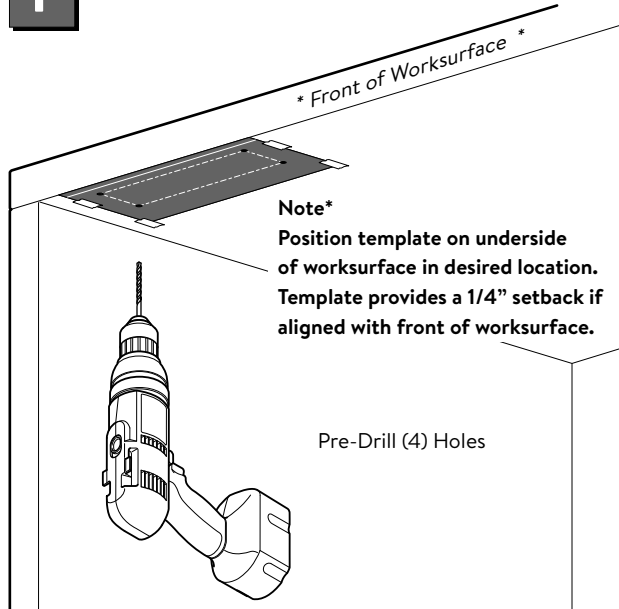
This device complies with part 15A of the FCC Rules. Operation is subject to the following two conditions: (1) This device may not cause harmful interference, and (2) this device must accept any interference received, including interference that may cause undesired operation.

Tools Required

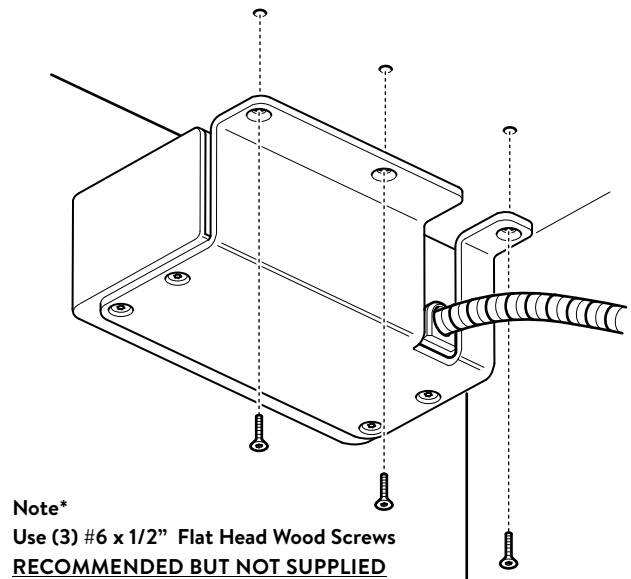


Screwdriver needed for optional power cord mounting clamps.

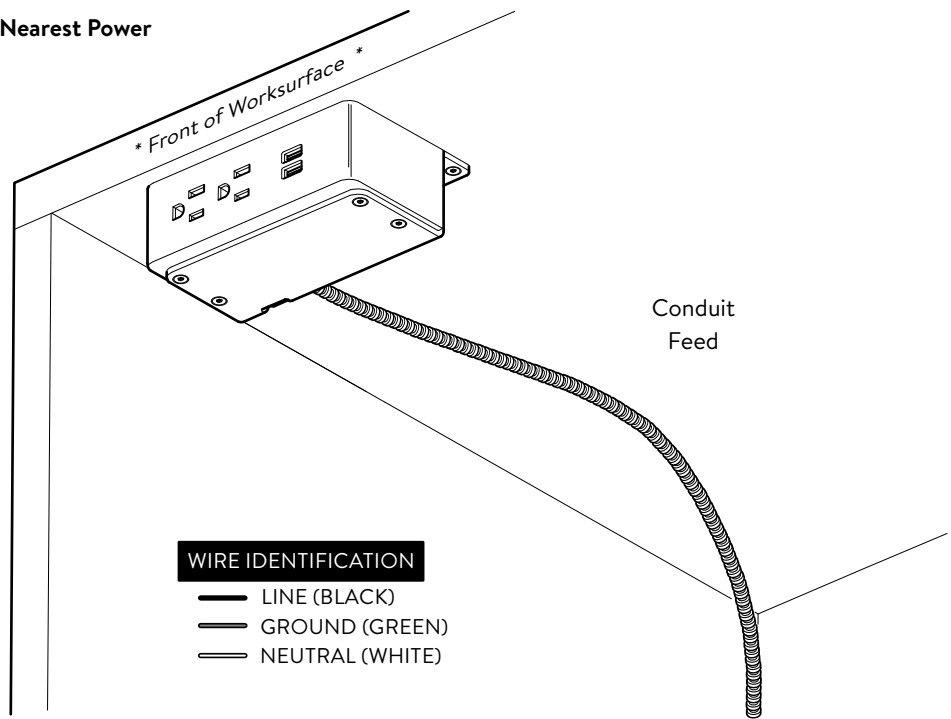
1 Place Template and Pre-Drill Holes



2 Install Ashley 210 Under to Worksurface



3 Route Conduit Option to Nearest Power Distribution Source





7310 Innovation Blvd., Suite 104,
Fort Wayne, IN 46818 Customer
Service: 800.829.3101

ASHLEY 210 UNDER

- Conduit -
Under Worksurface Mounting
[Installation Instruction Template](#)

This device complies with part 15A of the FCC Rules. Operation is subject to the following two conditions: (1) This device may not cause harmful interference, and (2) this device must accept any interference received, including interference that may cause undesired operation.

