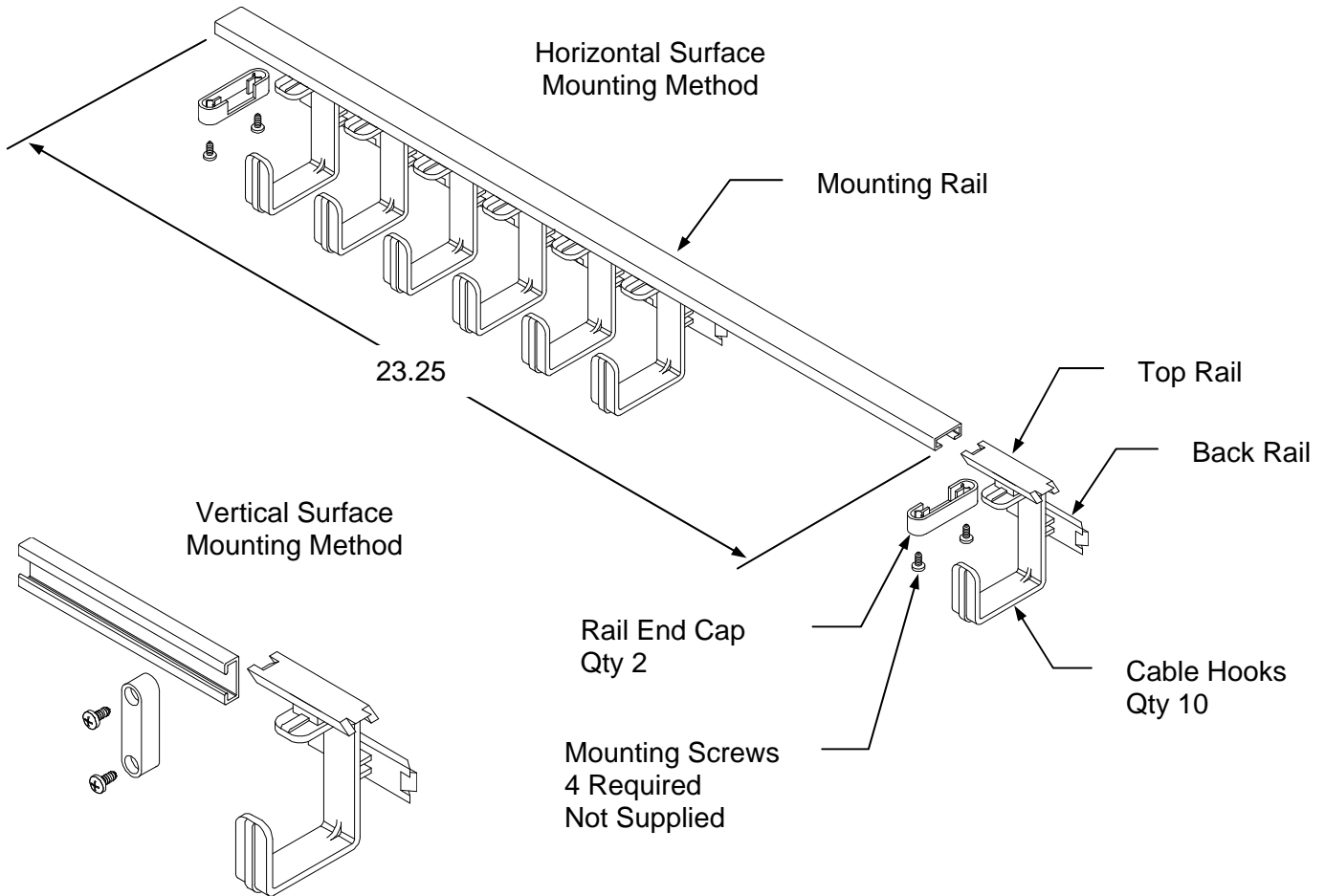


Cable Comber™ Installation Sheet



Installation Instructions

1. Determine location to mount Cable Comber – Note: Cable Comber can be mounted on either a horizontal or vertical surface.
2. Slide Cable Hooks onto Mounting Rail as shown. Use either the top or back rail as determined by the mounting surface.
3. Fit Rail End Cap over Mounting Rail ends and attach to surface using Mounting Screws (not supplied).