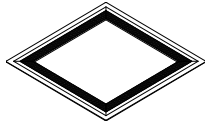


# AK 00 & TRIM RING INSTALLATION

## Components & Hardware



(A) AK 00  
Qty 1



(C) Trim Ring  
Qty 1



(B) Mounting Screw  
Qty 4



(D) Mounting Screw  
Qty 2

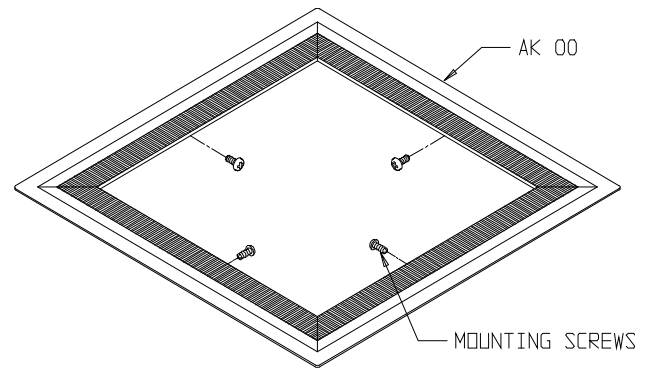
## Tools Needed



**\*Note:** Tolerance for cutouts is  $\pm .062''$  (1/16''), however we recommend not making the final cutout until you receive the product to ensure proper fit.

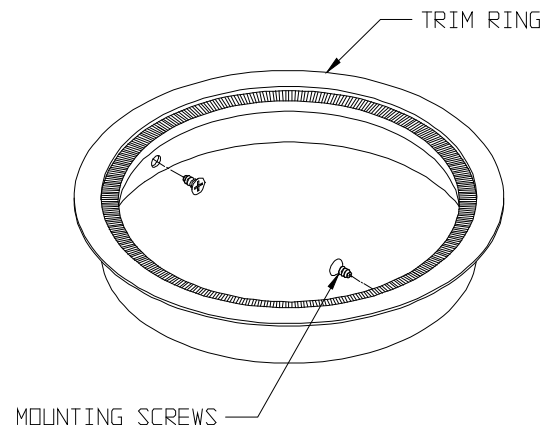
## AK 00 Installation

- 1- Provide 7.00" x 7.00" \* cutout in work surface at location AK 00 (A) is to be installed. Corners of cutout need to be sharp.
- 2- Insert AK 00 into cutout and secure in place with mounting screws (B) provided, as shown. Be sure AK 00 is pressed firmly against surface before securing in place.

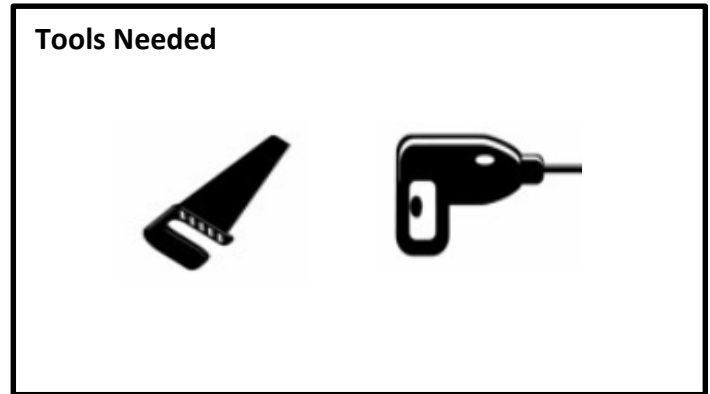
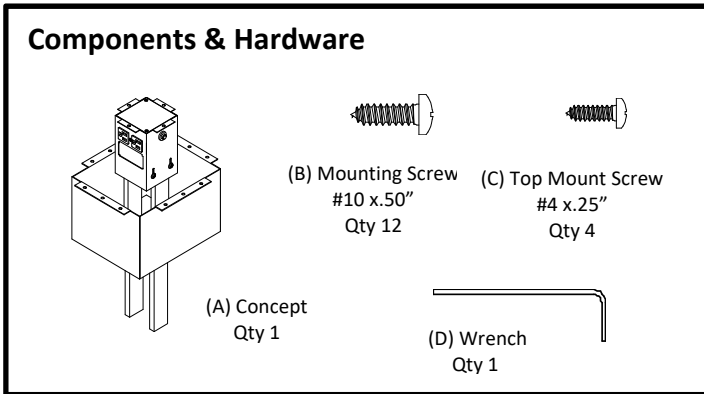


## Trim Ring Installation

- 1- Provide 6.00" \* diameter cutout in work surface at location Trim Ring (C) is to be installed.
- 2- Insert Trim Ring into cutout and secure in place with mounting screws (D) provided, as shown. Be sure Trim Ring is pressed firmly against surface before securing in place.



# CONCEPT INSTALLATION



**For use with:** Do not use provided screws on table thicknesses less than .75"

**Note:** \*Use caution not to pierce top surface with screws.

**1-** Determine type of application and ensure table and top sizes fall within the design parameters, see table requirements sheet (9065-0021).

**2-** Cut table and fabricate top as required. Ensure to allow for adequate clearance between both finish surface and top size parameters are met.

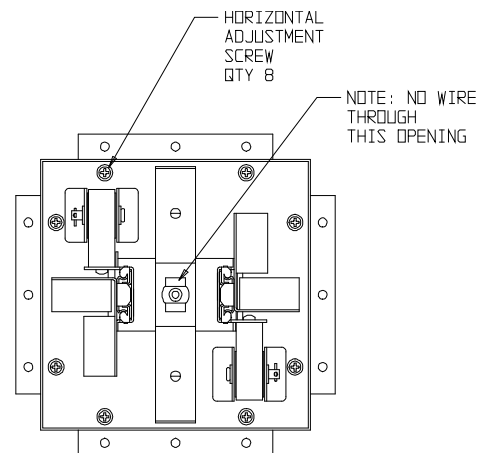
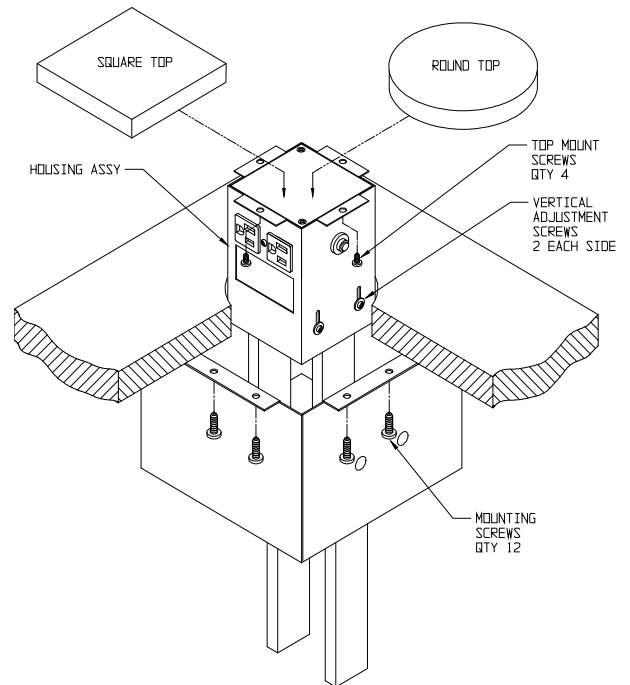
The recommended gap between table and top edge.  
1/16" (.062) to 1/8" (.125)

**Top Size Parameters**

- Minimum top size – 5" round or 4.5" square
- Maximum top size – 7" round or 7" square
- ECA top – 5.25" round or 5.25" square

**3-** Mount top to Concept (A), as shown, with either double sided tape (provided with ECA top) or top mount screws (C)\*. Mount Concept (A) to underside of work surface using mounting screws (B)\*. Note: Center top in table opening before mounting to surface. Operate Concept (A) through several cycles to ensure proper operation and that there is no interference.

**4-** Adjust Concept in table as needed. Vertical adjustments are made by 4 adjustments slots in side of housing, see diagram. Use wrench (D) to loosen side adjustment screws and re-tighten when done. Horizontal adjustments are made by loosening under-pan screws as shown and shifting Concept Housing as needed. Tighten screws when done.

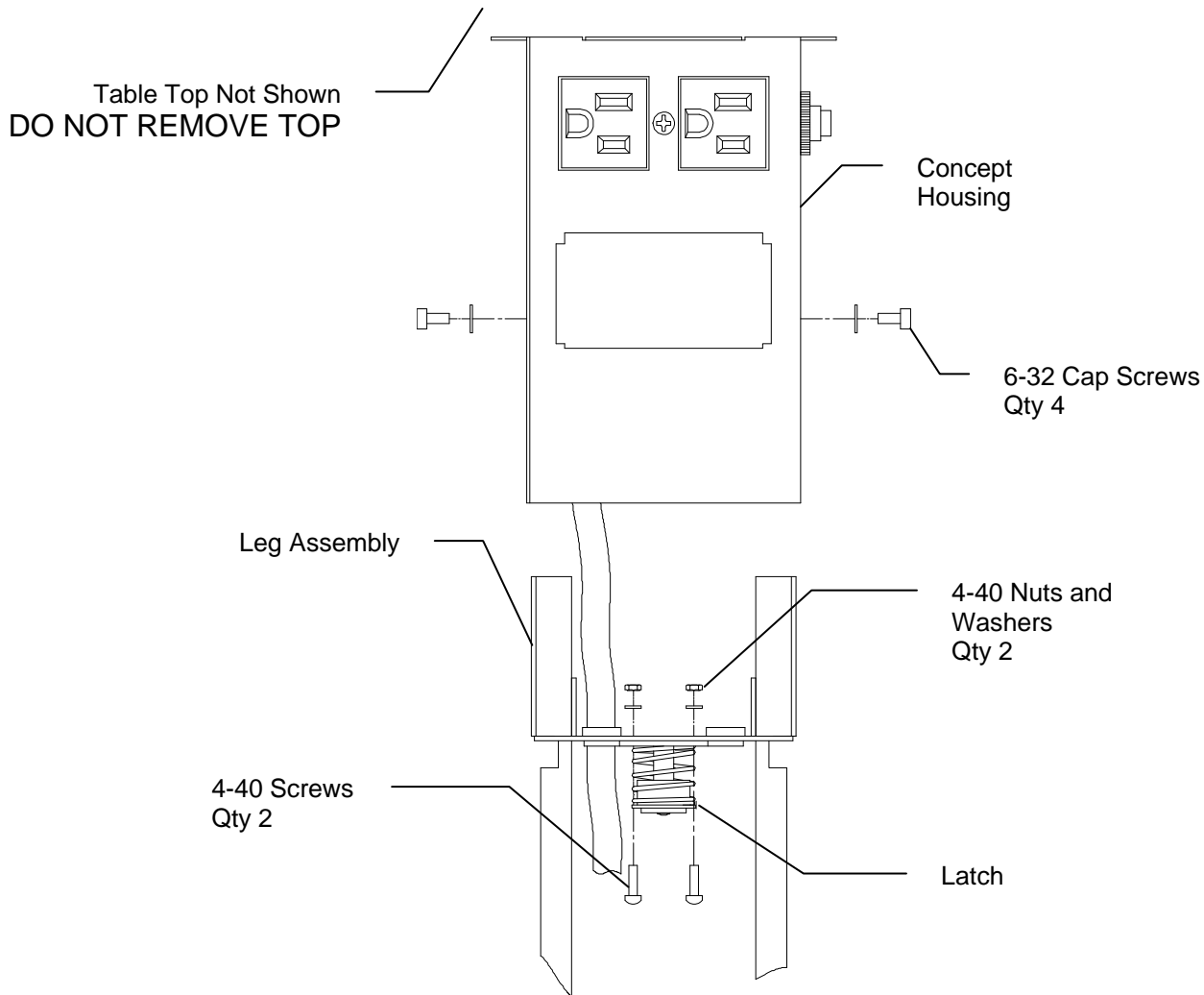


Bottom View of Concept

**5-** Connect power cord and install & route data as required.



# Concept Latch Replacement



1. Remove (4) 6-32 cap screws, 2 on each side, from Concept housing. Retain screws and for assembly later. Note: If these screws are not accessible from the top of the table, there are access holes in the pan and these can be reached from below the table.
2. Lift Concept housing up and off leg assembly, use caution to ensure wires slide through bushings in base and do not get pinched. Set housing to one side for now.
3. Remove (2) rivets holding latch in place (shown as 4-40 screws on drawing above), these will need to be drilled out or clipped off.
4. Pry latch off bottom of base, it is best to use a putty knife for this as the latch is also held in place with double-sided tape. Discard latch.
5. Take new latch and before removing backing to double-sided tape push 4-40 screws through mounting holes and through tape.
6. Remove adhesive backing tape and position latch under base with 4-40 screws going through holes provided in base, as before. Install washers and nuts and tighten.
7. Carefully slide Concept housing back over leg assembly being careful to ensure wire go down through bushings and do not get pinched.
8. Reinstall (4) 6-32 cap screws as before and tighten. Note: These screws are the height adjustment screws for the top of the Concept, see installation instructions.
9. Test Concept to ensure proper operation.

Electri-Cable Assemblies Inc.

10 Mountain View Drive - Shelton, CT - 203.924.6617 – [www.electri-cable.com](http://www.electri-cable.com)