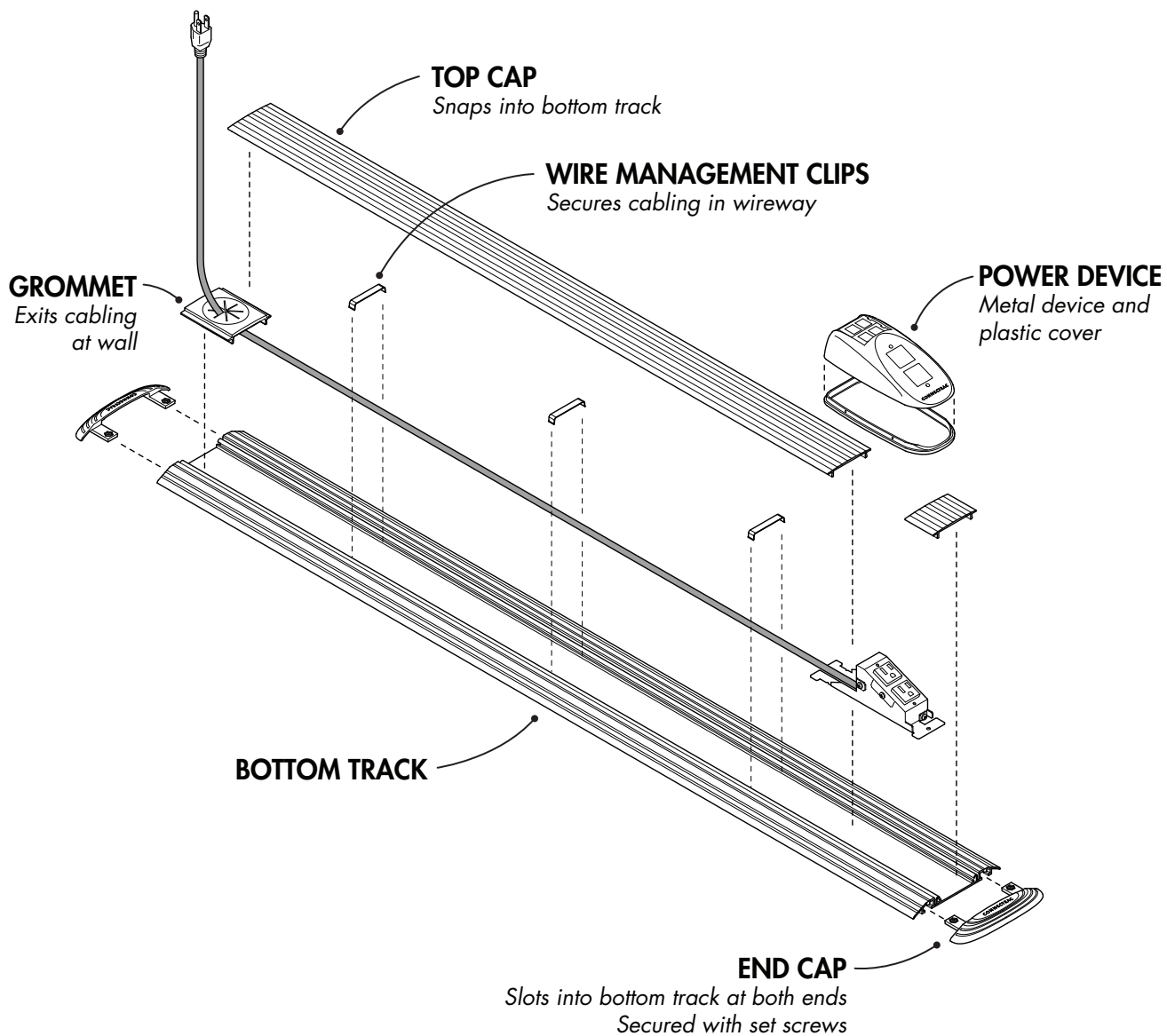


# CONNECTRAC

## GO 6' INSTALLATION GUIDE

*These components are typical for each corded wireway installation:*



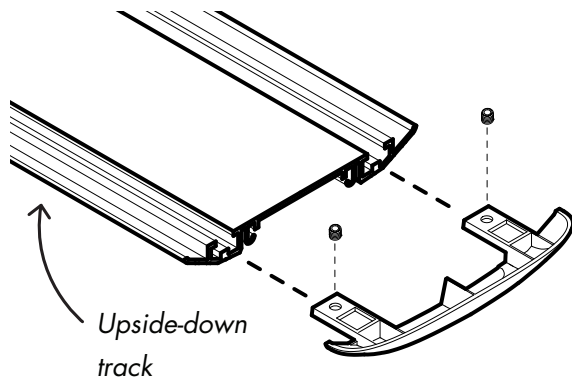
*Connectrac GO is ADA compliant.  
However, it is not recommended for high-traffic areas.*

**QUESTIONS? CALL US AT 877.480.5637!**

# INSTALLATION BASICS

## ATTACH END CAPS

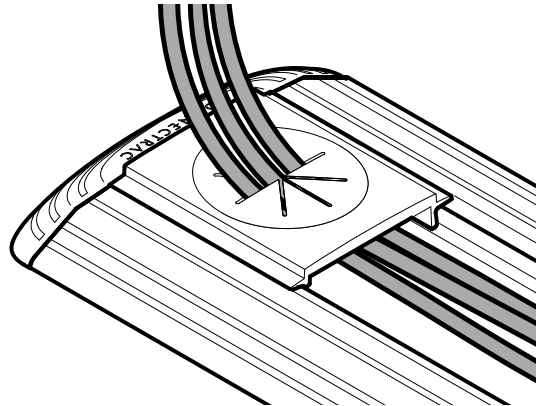
*Flip the track and tighten the set screws.*



*You can use double-sided or friction tape, or fasten the track to the floor depending on your application.*

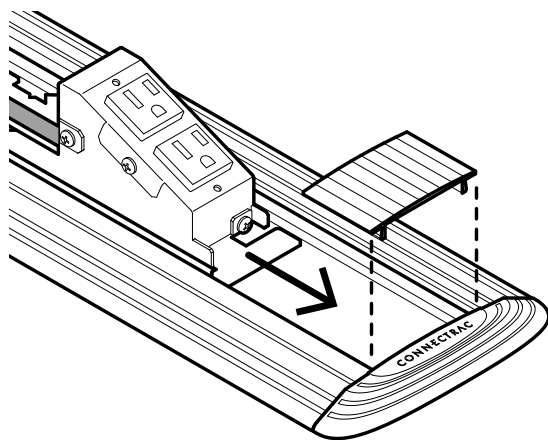
## PASS CABLING THROUGH GROMMET

*Then snap the grommet into the track at the wall.*



## MOUNT POWER DEVICE

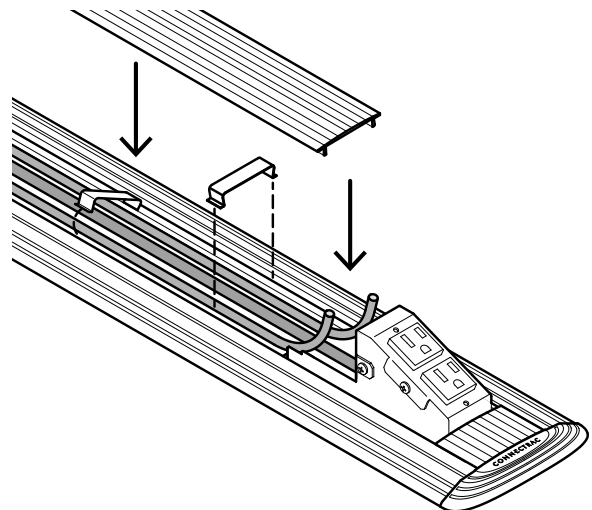
*Install the small piece of top cap at the end of the track, then slide the device under it.*



*Mount the device with included double-sided tape.*

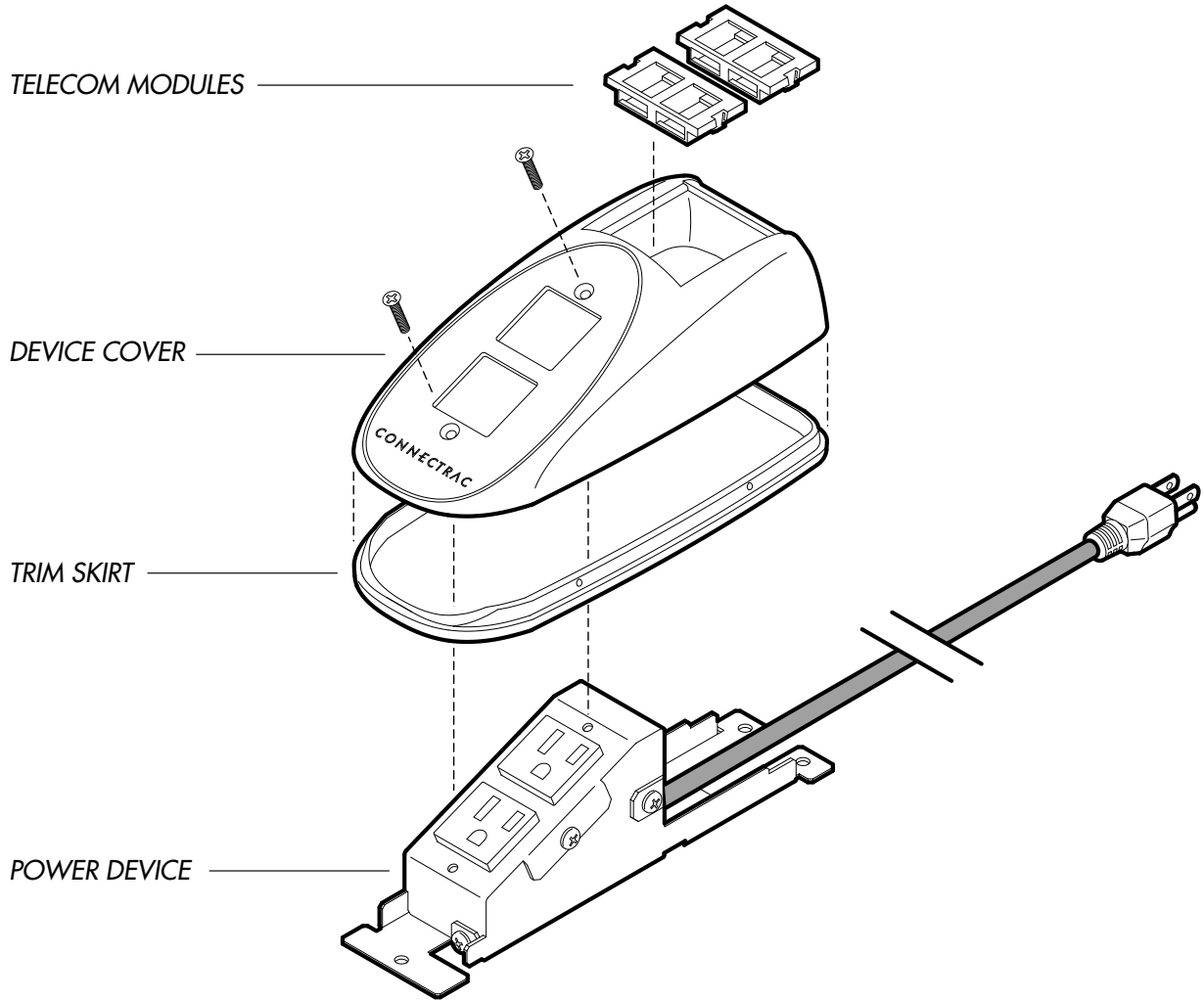
## INSTALL TOP CAP

*Manage cabling with included metal clips, then install the longer piece of top cap.*



## INSTALL THE COVER

Terminate any data cabling in the included modules, or leave open to pass cabling through.  
Snap the trim skirt into the bottom of the device cover - attach the plastic cover to the device,  
**THEN GO!**



### DEVICE INFORMATION

**NAME:** Connectrac GO Duplex Receptacle

**DESCRIPTION:** The GO power receptacle is a pre-wired outlet device. The wiring system contains a 3-wire / single-circuit system, and the metal housing contains (2) NEMA 5-15R receptacles. It includes a plastic cover which incorporates a modular telecom opening capable of mounting (4) keystone connectors.

**ELECTRICAL LISTING:** **US:** This device has been tested to UL Subject 962A standards and listed by ETL / Intertek. The device is identified with the ETL Listed Mark.

**Canada:** This device has been tested to CAN/CSA 22.2 #21 and is listed by ETL / Intertek. The device is identified with the cETL Listed Mark.

