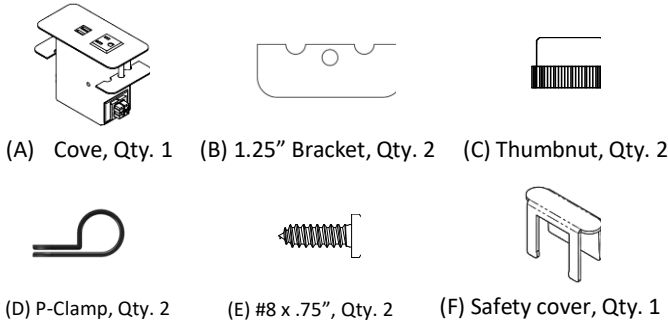


COVE WITH DAISYLINK INSTALLATION

Components & Hardware



Tools Needed



* Surface thickness: Fits surface .25" to 1.25" with provided clamp. For surfaces up to 1.50" an alternate clamp is required (sold separately)
Note: Use only Electri-Cable Assemblies System 42 Cables. ECA System 42 connectors have been evaluated to prevent inadvertent contact with live parts. Connector openings are not required to be covered; however a cover is provided for use if desired, see detail below.

Plug into an appropriate outlet that is properly installed and grounded in accordance with all local codes and regulations.

Model	COV-1	COV-1U	COV-2	COV-2U	COV-2UD	COV-RJ-2U	COV-RJ2-2U	COV-3	COV-3U	COV-3U-D	COV-4	COV-4U	COV-4UD
"X" Dim.	3.25"	4.50"	4.50"	5.25"	9.00"	6.75"	6.75"	5.75"	7.25"	11.00"	7.25"	8.25"	12.00"

Installation Instructions:

- 1- Determine the surface cutout for the Cove (A) model being installed and prepare the surface.
Note: refer to chart to determine X dimension.
- 2- Insert the Cove through the cutout.
- 3- For clamping Cove* - Place the brackets (B) and thumbnut (C) on stud. Tighten nuts until secure, do not over tighten.

For screw face Cove (not shown) – Using countersunk holes install screws (not provided) into work surface as desired. Tighten screws until secure, do not over tighten.

- 4- Connect System 42 power cables to connectors of Cove; ensure latches are secure and fully seated. Mount data cables as required.
- 5- Use P-Clamps (D) and remaining screws (E) to route Cable and attach to underside of work surface as needed.
- 6- Slide safety cover (F) onto open male cable mount if desired.

