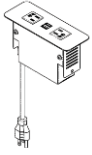


COVE TR INSTALLATION

Components & Hardware



(A) Cove TR, Qty. 1
(corded pictured)



(B) P-Clamp, Qty. 2



(C) #8 x .75", Qty. 2

Tools Needed

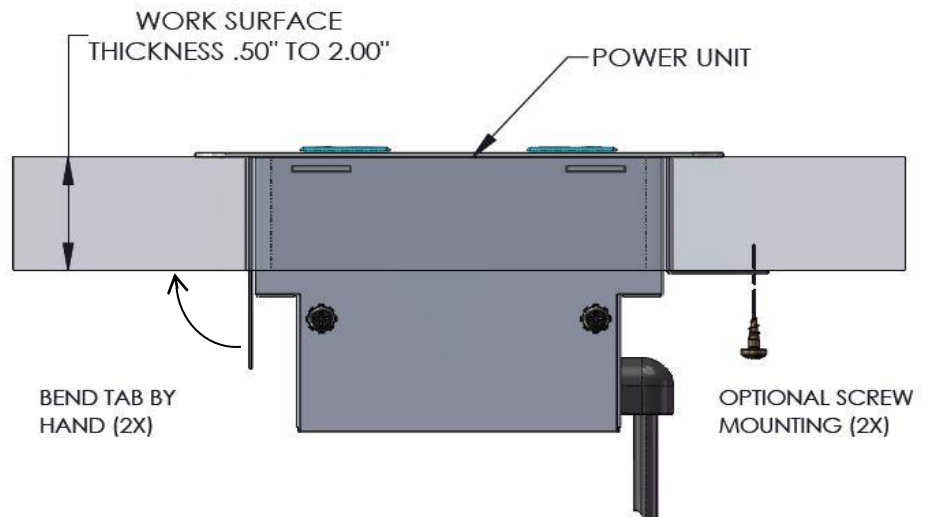
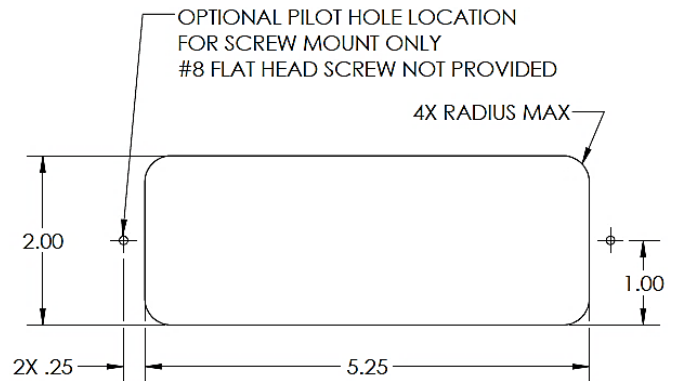


Note: A licensed electrician should make the hardwire connections. For use on dry work surfaces or furniture only. No serviceable parts, do not disassemble.

Plug into an appropriate outlet that is properly installed and grounded in accordance with all local codes and regulations.

Installation Instructions:

- 1-** Use recommended cutout and prepare the surface.
- 2-** Insert the Cove through the cutout.
- 3-** For clamping Cove - Bend the tabs of the cove until folded under the table as shown. Optional, use the screw holes provided to further secure the Cove TR.
- 4-** Use P-Clamps (B) and remaining screws (C) to route cable and attach to underside of work surface as needed.
- 5-** Connect power and data as needed.
- 6-** Connections for hardwire units:
Black wire – circuit hot
White wire – circuit neutral
Green wire – circuit ground



(corded pictured)