

STUDIO

BY DEKKO

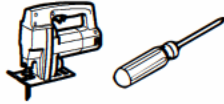
7310 Innovation Blvd., Suite 104,  
Fort Wayne, IN 46818  
Customer Service: 800.829.3101

# ASHLEY DUO AIR

## - Conduit Feed - Surface Mounting Installation Instruction

This device complies with part 15A of the FCC Rules. Operation is subject to the following two conditions: (1) This device may not cause harmful interference, and (2) this device must accept any interference received, including interference that may cause undesired operation.

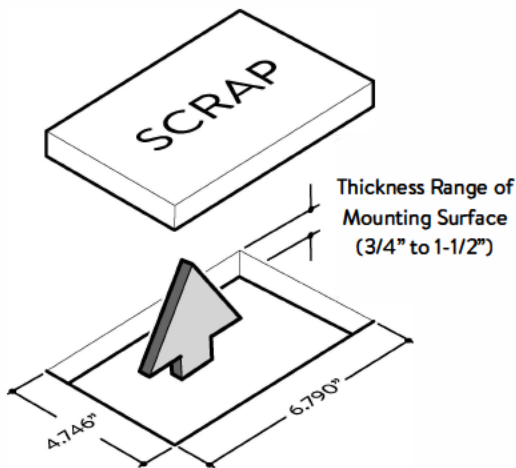
### Tools Required



## 1 Cutout Opening for Ashley Duo Air Assembly

### \* NOTE \*

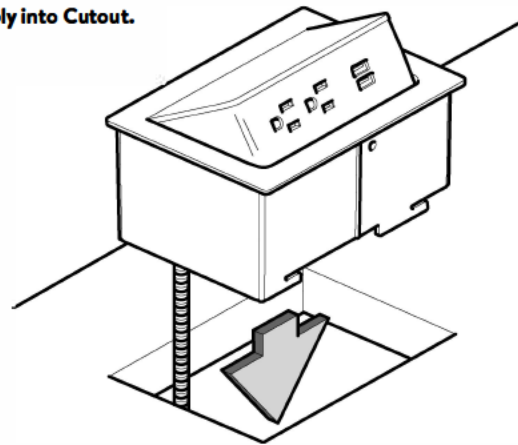
Please use Template Provided on Page 2.  
Max Radius on Cutout Corners is 1/4"



## 2 Install Ashley Duo Air Assembly into Cutout

### \* NOTE \*

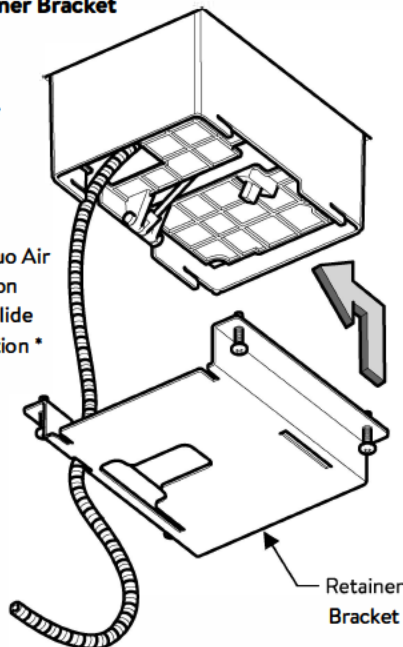
Route "Conduit" Through  
Cutout Before Inserting  
Assembly into Cutout.



## 3 Install Retainer Bracket

Underside of  
Worksurface

\* Align Tabs on Ashley Duo Air  
Assembly with Slots on  
Retainer Bracket and Slide  
into Fully Engaged Position \*



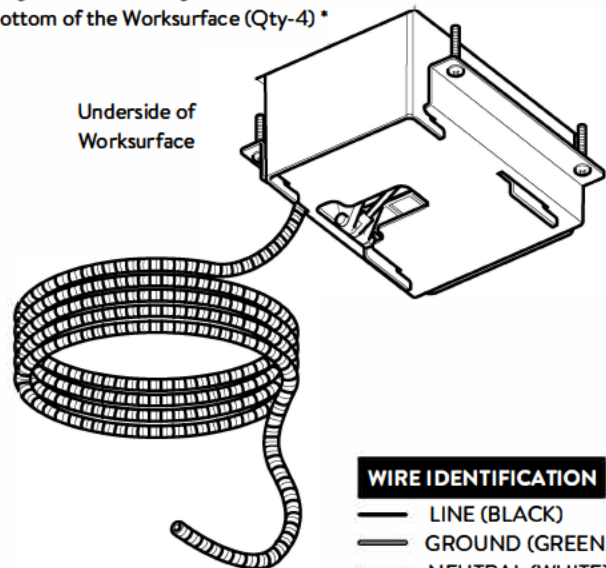
### \* NOTE \*

Route Conduit Through Notch in Retainer Bracket

## 4 Route Connector to Nearest Power Distribution Source

\* Tighten Screws Snug to the  
Bottom of the Worksurface (Qty-4) \*

Underside of  
Worksurface



### WIRE IDENTIFICATION

- LINE (BLACK)
- GROUND (GREEN)
- NEUTRAL (WHITE)

E.C.N. No: GD18-003196

Part Number: G110318

Page Number: 1 of 2

Revision: A



BY DEKKO

7310 Innovation Blvd., Suite 104,  
Fort Wayne, IN 46818  
Customer Service: 800.829.3101

# ASHLEY DUO AIR

- Conduit Feed -  
Surface Mounting  
Installation Instruction Template

This device complies with part 15A of the FCC Rules. Operation is subject to the following two conditions: (1) This device may not cause harmful interference, and (2) this device must accept any interference received, including interference that may cause undesired operation.

