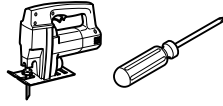


# ASHLEY DUO AIR

## - Corded - Surface Mounting Installation Instruction

This device complies with part 15A of the FCC Rules. Operation is subject to the following two conditions: (1) This device may not cause harmful interference, and (2) this device must accept any interference received, including interference that may cause undesired operation.

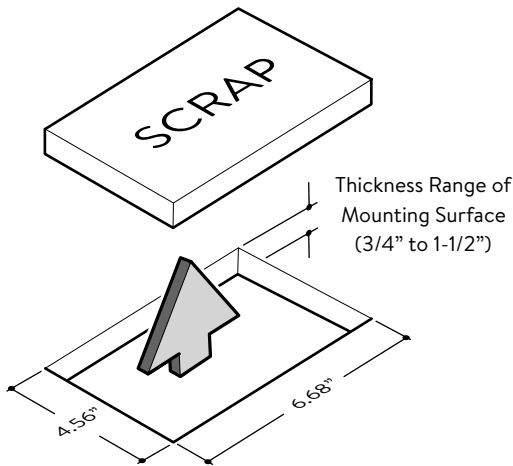
### Tools Required



### 1 Cutout Opening for Ashley Duo Air Assembly

**\* NOTE \***

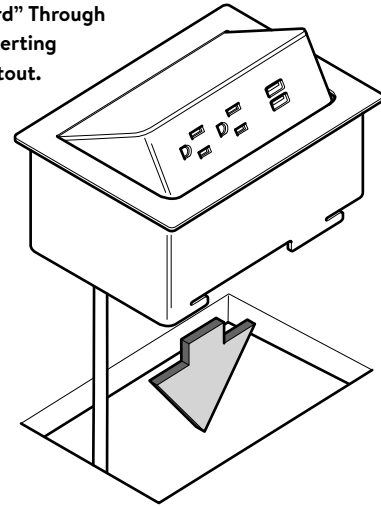
Please use Template Provided on Page 2.  
Max Radius on Cutout Corners is 1/4"



### 2 Install Ashley Duo Air Assembly into Cutout

**\* NOTE \***

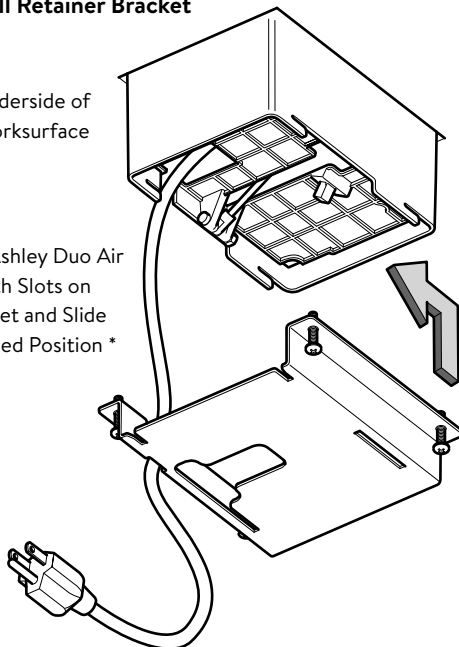
Route "Power Cord" Through  
Cutout Before Inserting  
Assembly into Cutout.



### 3 Install Retainer Bracket

Underside of  
Worksurface

\* Align Tabs on Ashley Duo Air  
Assembly with Slots on  
Retainer Bracket and Slide  
into Fully Engaged Position \*



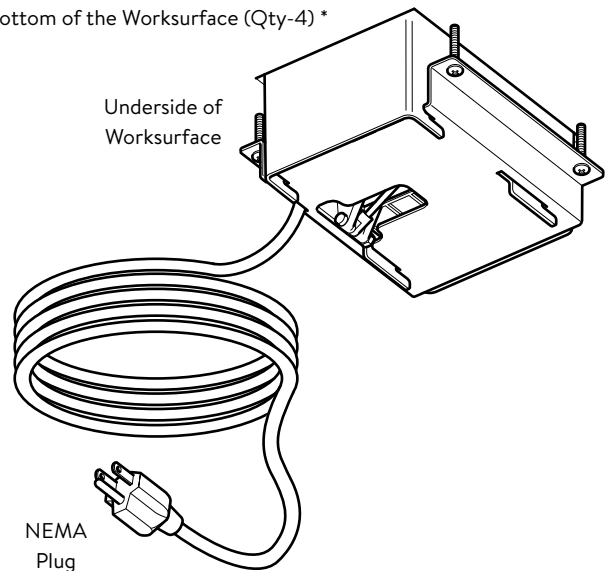
**\* NOTE \***

Route Power Cord Through Notch in Retainer Bracket

### 4 Route Power Cord to Nearest Power Distribution Source

\* Tighten Screws Snug to the  
Bottom of the Worksurface (Qty-4) \*

Underside of  
Worksurface



NEMA  
Plug



BY DEKKO

2505 Dekko Drive  
Garrett, IN 46738  
Customer Service: 800.357.5622

# ASHLEY DUO AIR

- Corded -  
Surface Mounting  
Installation Instruction Template

This device complies with part 15A of the FCC Rules. Operation is subject to the following two conditions: (1) This device may not cause harmful interference, and (2) this device must accept any interference received, including interference that may cause undesired operation.

