



BY DEKKO

7310 Innovation Blvd., Suite 104,
Fort Wayne, IN 46818
Customer Service: 800.829.3101

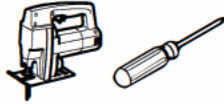
ASHLEY DUO AIR

- Corded -

Surface Mounting Installation Instruction

This device complies with part 15A of the FCC Rules. Operation is subject to the following two conditions: (1) This device may not cause harmful interference, and (2) this device must accept any interference received, including interference that may cause undesired operation.

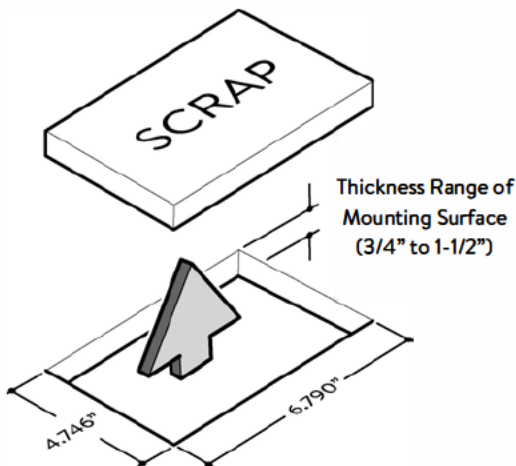
Tools Required



1 Cutout Opening for Ashley Duo Air Assembly

*** NOTE ***

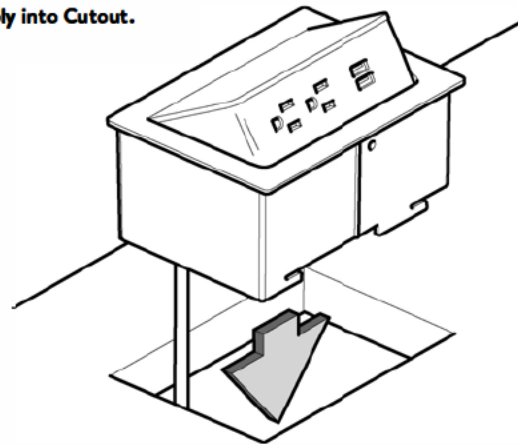
Please use Template Provided on Page 2.
Max Radius on Cutout Corners is 1/4"



2 Install Ashley Duo Air Assembly into Cutout

*** NOTE ***

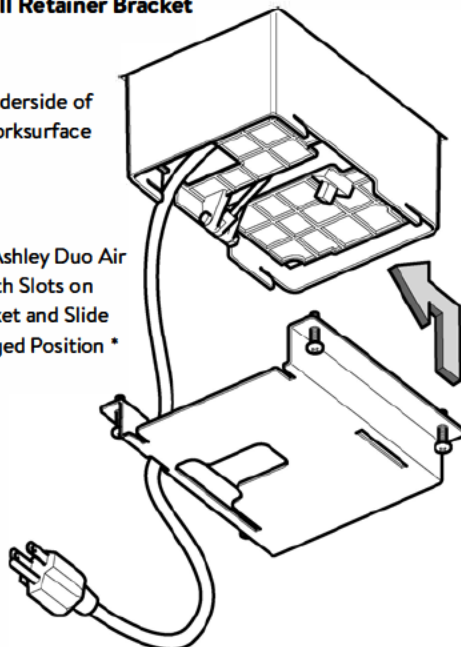
Route "Power Cord" Through
Cutout Before Inserting
Assembly into Cutout.



3 Install Retainer Bracket

Underside of
Worksurface

* Align Tabs on Ashley Duo Air
Assembly with Slots on
Retainer Bracket and Slide
into Fully Engaged Position *



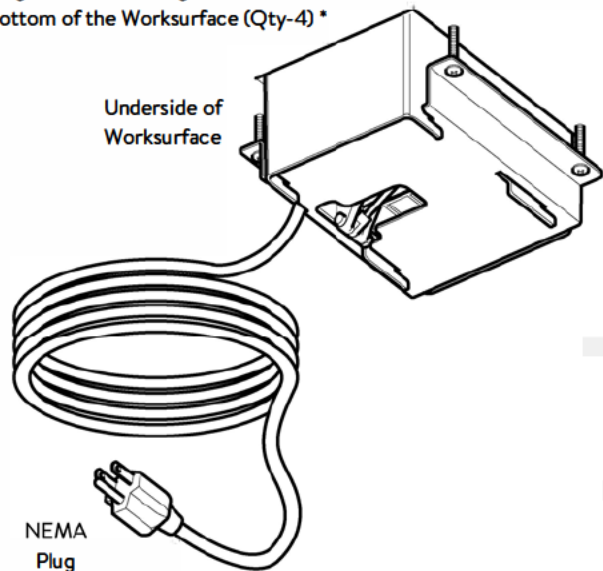
*** NOTE ***

Route Power Cord Through Notch in Retainer Bracket

4 Route Power Cord to Nearest Power Distribution Source

* Tighten Screws Snug to the
Bottom of the Worksurface (Qty-4) *

Underside of
Worksurface



NEMA
Plug



BY DEKKO

7310 Innovation Blvd., Suite 104,
Fort Wayne, IN 46818
Customer Service: 800.829.3101

ASHLEY DUO AIR

- Corded -
Surface Mounting
Installation Instruction Template

This device complies with part 15A of the FCC Rules. Operation is subject to the following two conditions: (1) This device may not cause harmful interference, and (2) this device must accept any interference received, including interference that may cause undesired operation.

