

STUDIO

BY DEKKO

2505 Dekko Drive
Garrett, IN 46738
Customer Service: 800.357.5622

ASHLEY DUO UNDER

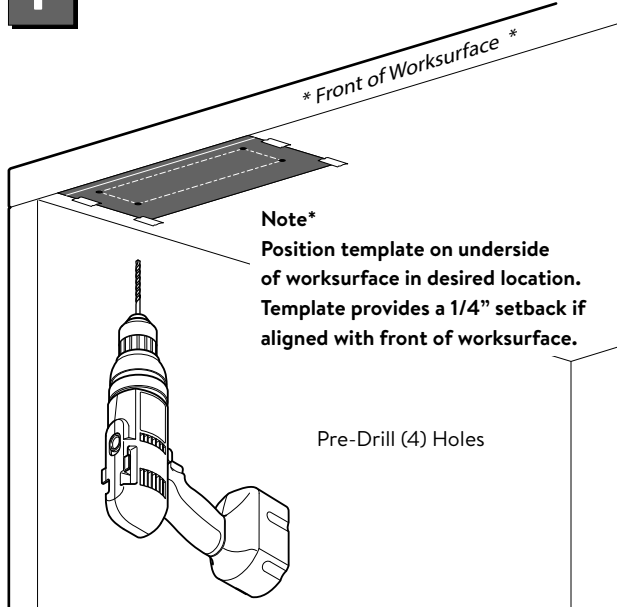
- Conduit Feed -
Under Worksurface Mounting
Installation Instruction

This device complies with part 15A of the FCC Rules. Operation is subject to the following two conditions: (1) This device may not cause harmful interference, and (2) this device must accept any interference received, including interference that may cause undesired operation.

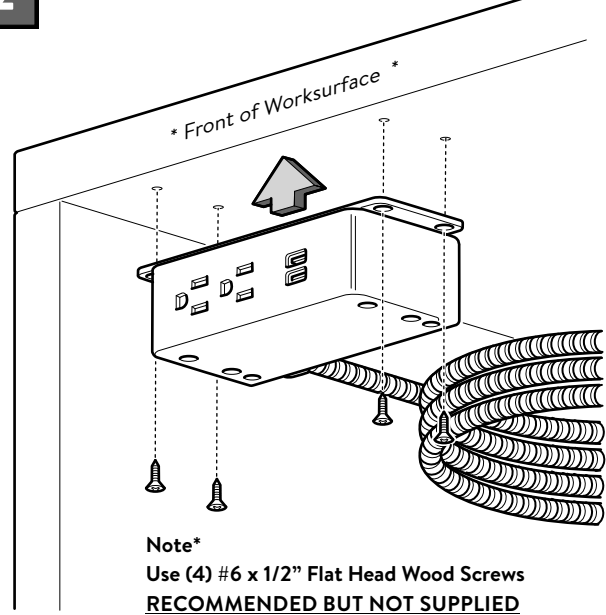
Tools Required



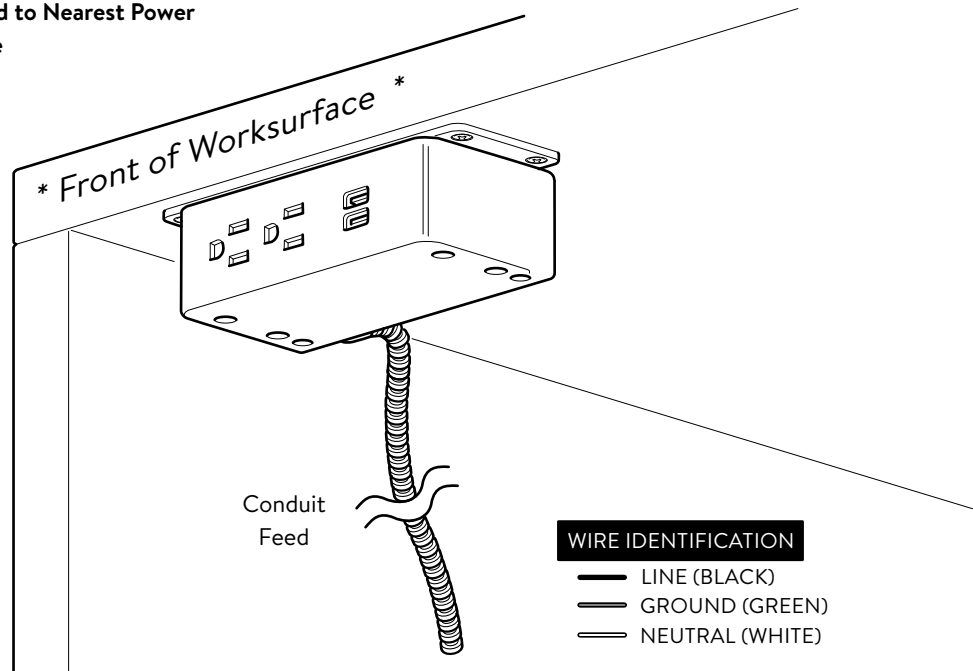
1 Place Template and Pre-Drill Holes



2 Install Ashley Duo Under to Worksurface



3 Route Conduit Feed to Nearest Power Distribution Source



E.C.N. No: GD17-002964

Part Number: G110061

Page Number: 1 of 2

Revision: D

STU
DIO

BY DEKKO

2505 Dekko Drive
Garrett, IN 46738
Customer Service: 800.357.5622

ASHLEY DUO UNDER

- Conduit Feed -

Under Worksurface Mounting

Installation Instruction Template

This device complies with part 15A of the FCC Rules. Operation is subject to the following two conditions: (1) This device may not cause harmful interference, and (2) this device must accept any interference received, including interference that may cause undesired operation.

SUGGESTED SET BACK

SUGGESTED SET BACK

1/4" SET BACK FROM FRONT EDGE

FRONT EDGE OF WORKSURFACE

FRONT OF ASHLEY DUO UNDER

ASHLEY DUO UNDER DRILLING TEMPLATE

PRE-DRILL (4) HOLES

1.63"

6.00"