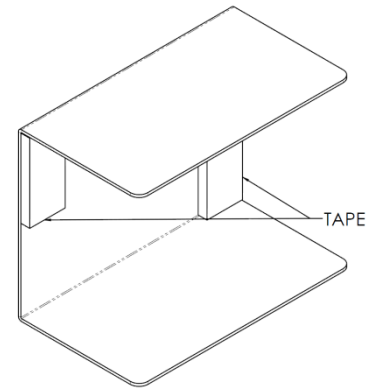


CHANNEL COVER INSTALLATION

Installation Instructions:

1. Apply tape to Channel Cover approximately as show.



2. Slide end cap over unit as shown. Press firmly to adhere tape.

