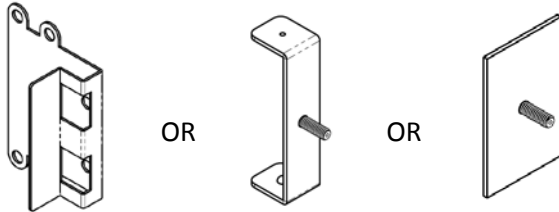


# ELECTRI-PAK END CAP INSTALLATION

## Components & Hardware



(A) End Cap, Qty. 1

## Tools Needed

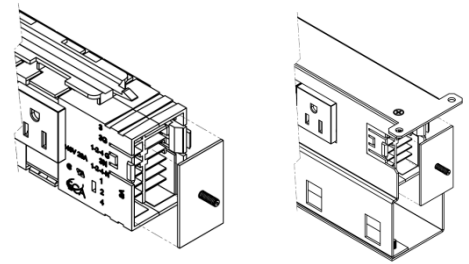


**For use with:** Electri-Pak mating components only.

**Note:** Disconnect all power cables prior to performing any work.

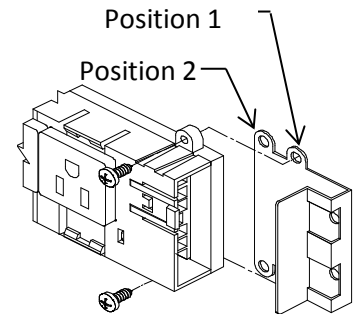
### 73 AA, 83 AA, 834 AA, 84 AA, 844 AA, 8422 AA & 84 SBD

Insert End Cap (A) into Power Module as shown. Ensure End Cap is latched beneath both catches. Remove by unlatching from beneath catches and pulling out using threaded stud. Do not pry out.



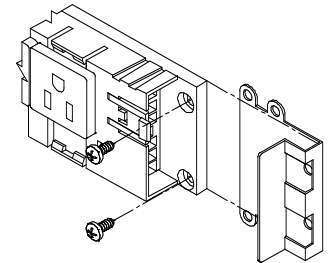
### 83 SAE, 834 SAE, 84 SAE, 844 SAE & 84422 SAE

Insert End Cap (A) under Power Module as shown and attach with block mounting screws. Install screws to secure Power Module 83 SAE & 84 SAE use position 1 as shown. 834 SAE, 844 SAE & 8422 SAE use position 2.



### 73 SA, 83 SA, 834 SA, 84 SA, 844 SA & 8422 SA

Slide End Cap (A) under Power Module and over mounting edge as shown and attach with block mounting screws. Install screws to secure Module and End Cap.



### 84 SBS

Slide End Cap (A) over Power Module until secure. To remove, pull on threaded stud.

