

SECLUSION FEET MOUNT INSTALLATION

Components & Hardware



A) Feet Mount, Qty. 1



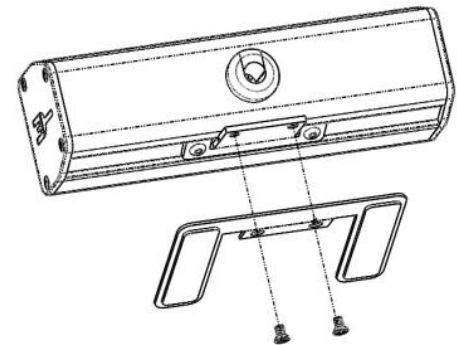
B) #8-32 x 5/16, Qty. 2

Tools Needed



FOR USE WITH: All Seclusion products

- 1-** Insert 2 screws (B) through the bracket (A) into the Seclusion.



- 2-** Place the Seclusion on the table surface at the desired location and connect to a 15Amp/120V power outlet.