

# HIDE IT INSTALLATION

## Components & Hardware



(A) Hide It  
Qty 1



(B) Mounting Screw  
#10x.75", Qty 4

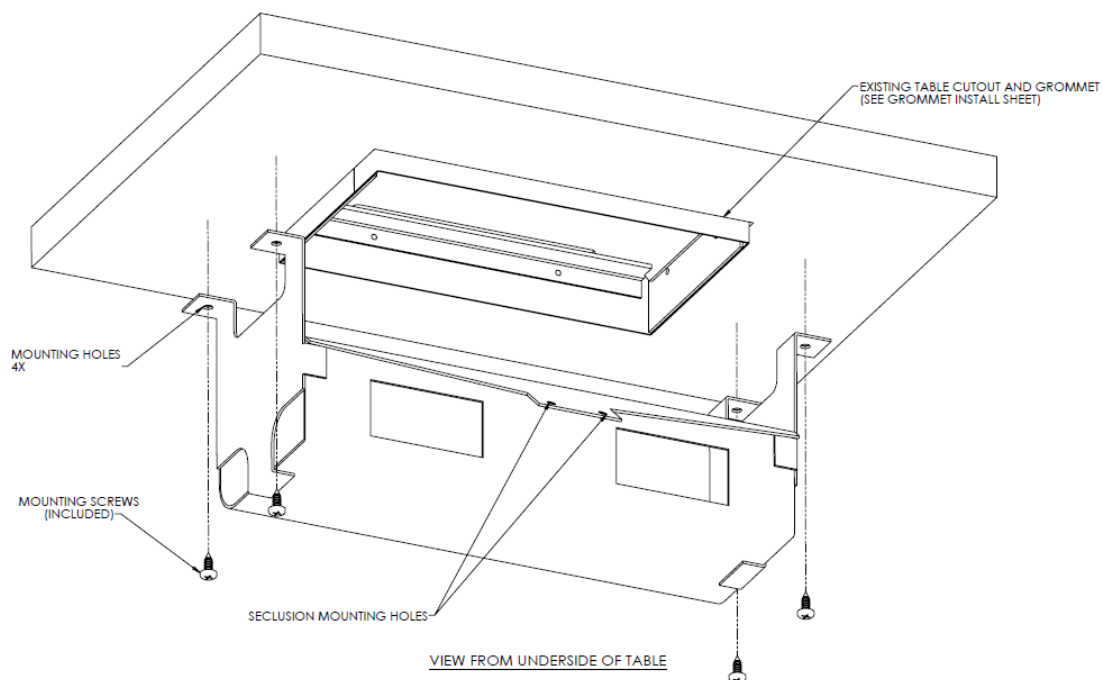
## Tools Needed



**For use with:** Do not use provided screws on table thicknesses less than 1.00"

**Note:** \*Use caution not to pierce top surface with screws.

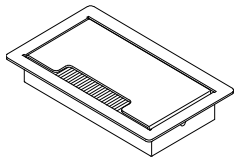
- 1- Mount Seclusion to Hide It (A) as location shown with screws provided with Seclusion.
- 2- Mount Hide It (A) in desired location to underside of work surface using screws (B) provided\*.



- 3- Connect all power and data cabling as needed.

# GROMMET INSTALLATION

## Components & Hardware



(A) Grommet\*  
Qty 1



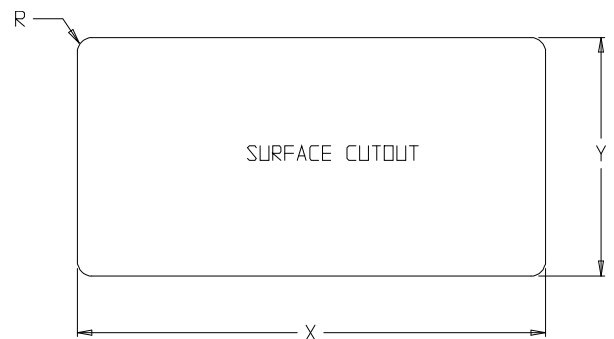
(B) Mounting Screw  
#6 x 1/2  
Qty 2

## Tools Needed



\* VIL-GROM-F shown

- 1-** Determine the surface cutout for the Grommet (A) version being installed and prepare the surface.  
Note: Refer to chart to determine X, Y & R dimensions.
- 2-** Insert the Grommet into the cutout from above.
- 3-** While pressing Grommet firmly to surface, insert Mounting Screws (B) through side holes, as shown, and into side of cutout in work surface. Note: Use care to not damage work surface
- 4-** Ensure lid pivots freely through the entire motion.



Model	VIL-GROM	VIL-GROM-LG	HID-GROM-S	HID-GROM-L
X Dim.	5.25"	8.00"	6.30"	9.25"
Y Dim.	3.00"	4.00"	5.30"	5.30"
R Dim.	.125"	.25"	.125"	.125"

